

Confidential:
 PTLB-45°-54
 54mil Min Thickness
 50ksi Min Yield
 G90 Min Coating



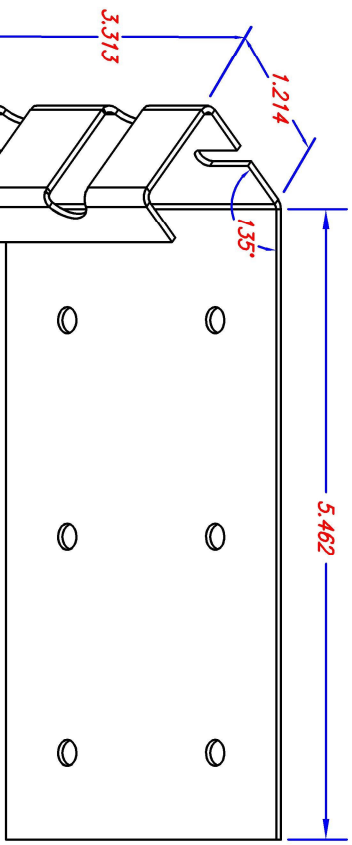
DRAWING NUMBER		REVISION
PTLB-45°-54		
DRAWN cbs	CHECKED mjh	
SHEET	DATE 1/6/2020	

TITLE
PIAZZA PRODUCT DETAIL
CUSTOMER PIAZZA STONENWORKS

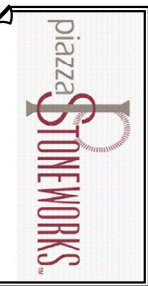
PROJECT
PIAZZA PRODUCT W/ ISO
SHEET TITLE PIAZZA PTLB-45°-54

COPYRIGHT NOTICE
 COPYRIGHT IS RETAINED BY
 PIAZZA STONE LLC. FROM THE DATE OF
 ISSUANCE OF THESE DOCUMENTS.
 DUPLICATION OF THESE DOCUMENTS OR
 THE WORK REPRESENTED BY THEM IS
 PROHIBITED WITHOUT THE EXPRESS
 WRITTEN CONSENT OF PIAZZA STONE LLC.





Confidential: PTLB-45°-54



PART NUMBER		REVISION	
PTLB-45-54			
DRAWN	APPROVED		
cbs	mjh		
DATE	DATE		
1/4/2021	1/4/2021		

MATERIAL SPECIFICATION
ASTM A 1003 ST50H
50ksi Min Yield Strength
65ksi Min Tensile Strength
0.0538" Min Base Metal Thickness
0.0563" Min Coated Thickness
G90 Min Coating or Approved Equivalent

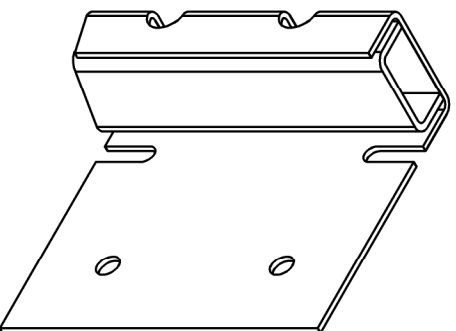
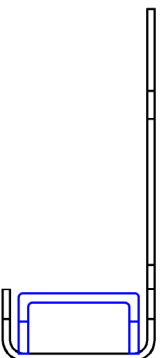
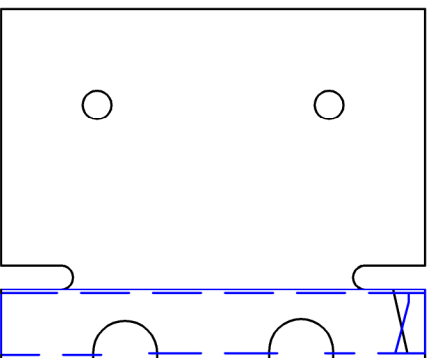
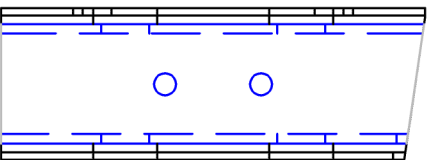
TOLERANCE
1.00" and Under: ±0.031"
1.00"-2.00": ±0.047"
Over 2.00": ±0.062"
Holes and Slots: ±0.005"
Angles: ±1.5°
Inside Radius = 1.5(Thickness)

HARDCOPY LOCATIONS
Production File
MasterClip Folder

COPYRIGHT NOTICE
 COPYRIGHT IS RETAINED BY PIAZZA STONE LLC. FROM THE DATE OF INVENTION THROUGH THE TERM OF PROTECTION. ANY REPRODUCTION OR DUPLICATION OF THESE DOCUMENTS OR THE WORK REPRESENTED BY THEM IS PROHIBITED WITHOUT THE EXPRESS WRITTEN CONSENT OF PIAZZA STONE LLC.

PIAZZA TRACK AND PIAZZA CLIPS ARE MANUFACTURED EXCLUSIVELY BY THE STEEL NETWORK, Inc. (TSN), US Patent #7,503,150
www.steelnetwork.com

Confidential:
 PTLB200-54 Assembly
 54mil min Thickness
 50ksi Min Yield
 G90 Min Coating



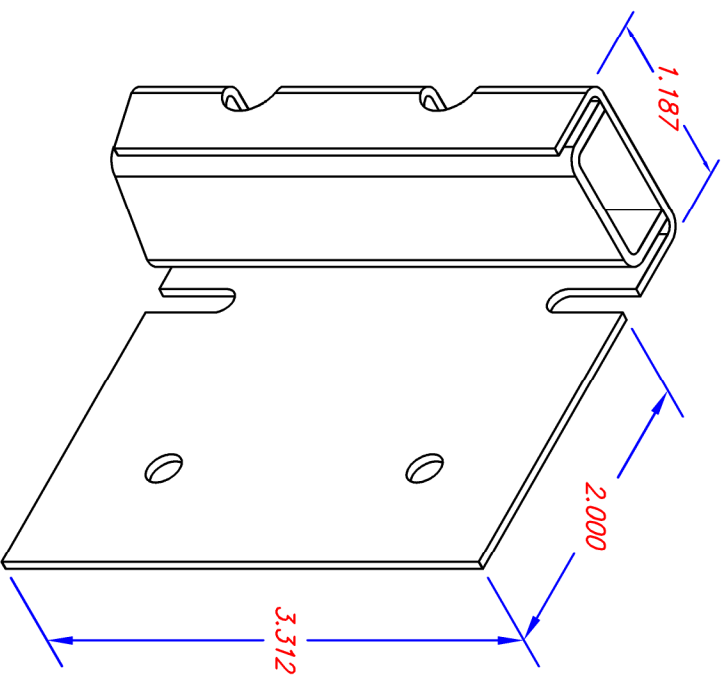
DRAWING NUMBER		REVISION	
PTLB200-54 ASSY			
DRAWN	CHECKED		
cbs	mjh		
SHEET	DATE		
	2/14/2020		

TITLE
PIAZZA PRODUCT DETAIL
CUSTOMER
PIAZZA STONENETWORKS

PROJECT
PIAZZA PRODUCT W/ ISO
SHEET TITLE
PIAZZA PTLB200-54 ASSY

COPYRIGHT NOTICE
 COPYRIGHT IS RETAINED BY
 PIAZZA STONE LLC, FROM THE DATE OF
 PUBLICATION OF THESE DOCUMENTS OR
 THE WORK REPRESENTED BY THEM IS
 PROHIBITED WITHOUT THE EXPRESS
 WRITTEN CONSENT OF PIAZZA STONE LLC.

PIAZZA TRACK AND PIAZZA CLIPS
 ARE MANUFACTURED
 EXCLUSIVELY BY
 THE STEEL NETWORK, INC. (TSN).
 US Patent #/ 503,150
www.steelnetwork.com



Confidential: PTLB200-54 Assy



DRAWING NUMBER	PTLB200-54 ASSY	REVISION	
DRAWN	cbs	CHECKED	mjh
SHEET	2/14/2020	DATE	

TITLE	PIAZZA PRODUCT DETAIL
CUSTOMER	PIAZZA STONEWORKS

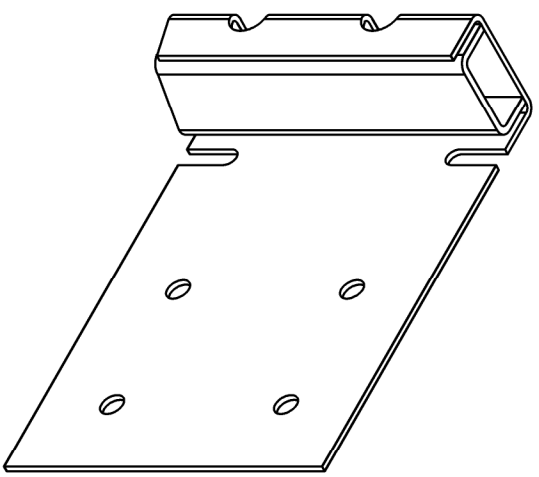
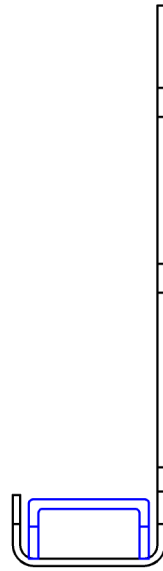
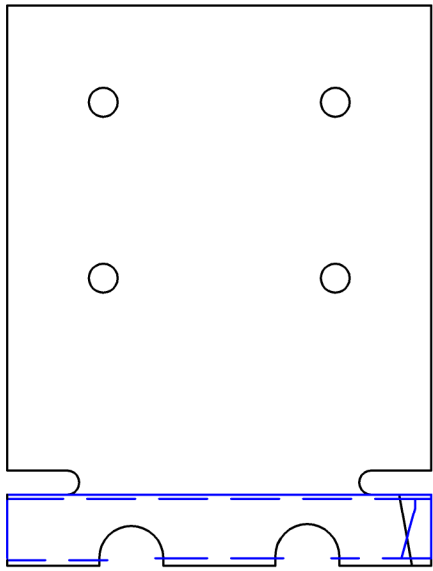
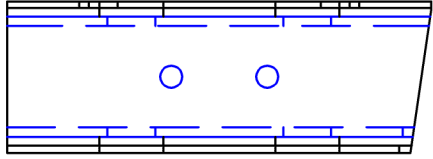
PROJECT	PIAZZA WEBSITE
SHEET TITLE	PIAZZA PTLB200-54 ASSY

COPYRIGHT NOTICE
 COPYRIGHT IS RETAINED BY
 PIAZZA STONE LLC. FROM THE DATE OF
 PUBLICATION OF THESE DOCUMENTS OR
 THE WORK REPRESENTED BY THEM IS
 PROHIBITED WITHOUT THE EXPRESS
 WRITTEN CONSENT OF PIAZZA STONE LLC.

PIAZZA TRACK AND PIAZZA CLIPS
 ARE MANUFACTURED
 EXCLUSIVELY BY
 THE STEEL NETWORK, INC. (TSN),
 US Patent #7,503,150
www.steelnetwork.com



Confidential:
 PTLB400-54 Assembly
 54mil min Thickness
 50ksi Min Yield
 G90 Min Coating



DRAWING NUMBER	PTLB400-54 ASSY	REVISION	
DRAWN	cbs	CHECKED	mjh
SHEET	2/14/2020	DATE	

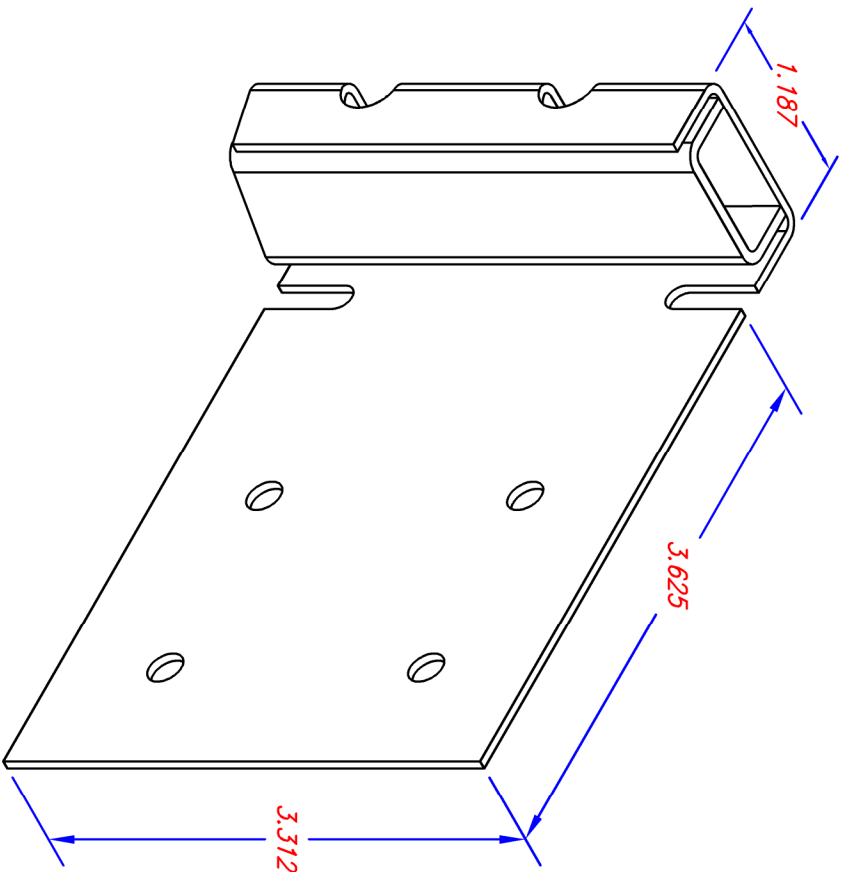
TITLE	PIAZZA PRODUCT DETAIL
CUSTOMER	PIAZZA STONENETWORKS

PROJECT	PIAZZA PRODUCT W/ ISO
SHEET TITLE	PIAZZA PTLB400-54 ASSY

COPYRIGHT NOTICE
 COPYRIGHT IS RETAINED BY
 PIAZZA STONE LLC. FROM THE DATE OF
 PUBLICATION OF THESE DOCUMENTS OR
 THE WORK REPRESENTED BY THEM IS
 PROHIBITED WITHOUT THE EXPRESS
 WRITTEN CONSENT OF PIAZZA STONE LLC.

PIAZZA TRACK AND PIAZZA CLIPS
 ARE MANUFACTURED
 EXCLUSIVELY BY
 THE STEEL NETWORK, INC. (TSN),
 US Patent #/ 503 150
www.steelnetwork.com





Confidential: PTLB400-54 Assy



DRAWING NUMBER	PTLB400-54 ASSY	REVISION	
DRAWN	cbs		
CHECKED	mjh		
DATE	2/14/2020		
SHEET			

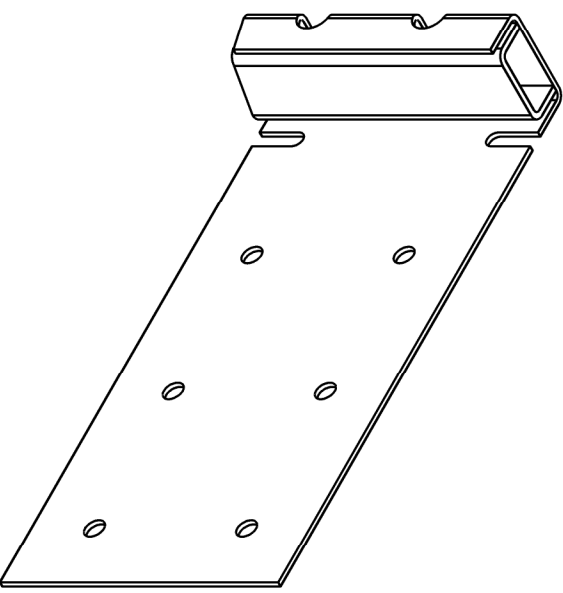
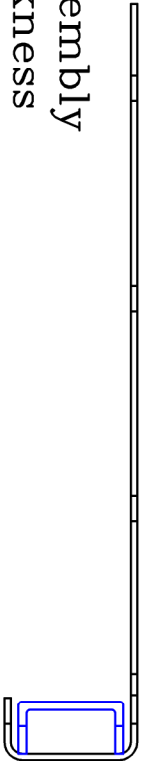
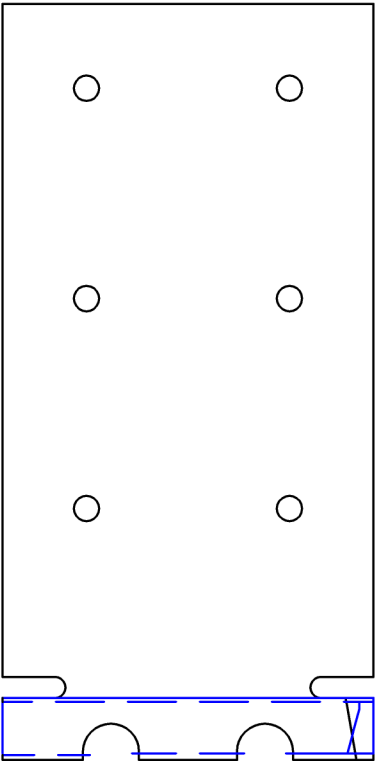
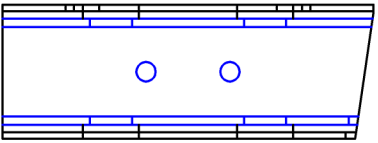
TITLE	PIAZZA PRODUCT DETAIL
CUSTOMER	PIAZZA STONENETWORKS

PROJECT	PIAZZA WEBSITE
SHEET TITLE	PIAZZA PTLB400-54 ASSY

COPYRIGHT NOTICE
 COPYRIGHT IS RETAINED BY
 PIAZZA STONE LLC. FROM THE DATE OF
 PUBLICATION OF THESE DOCUMENTS OR
 THE WORK REPRESENTED BY THEM IS
 PROHIBITED WITHOUT THE EXPRESS
 WRITTEN CONSENT OF PIAZZA STONE LLC.

PIAZZA TRACK AND PIAZZA CLIPS
 ARE MANUFACTURED
 EXCLUSIVELY BY
 THE STEEL NETWORK, INC. (TSN),
 US Patent #7,503,150
www.steelnetwork.com

Confidential:
 PTLB600-54 Assembly
 54mil min Thickness
 50ksi Min Yield
 G90 Min Coating



DRAWING NUMBER	PTLB600-54 ASSY	REVISION	
DRAWN	cbs	CHECKED	mjh
SHEET	2/14/2020	DATE	

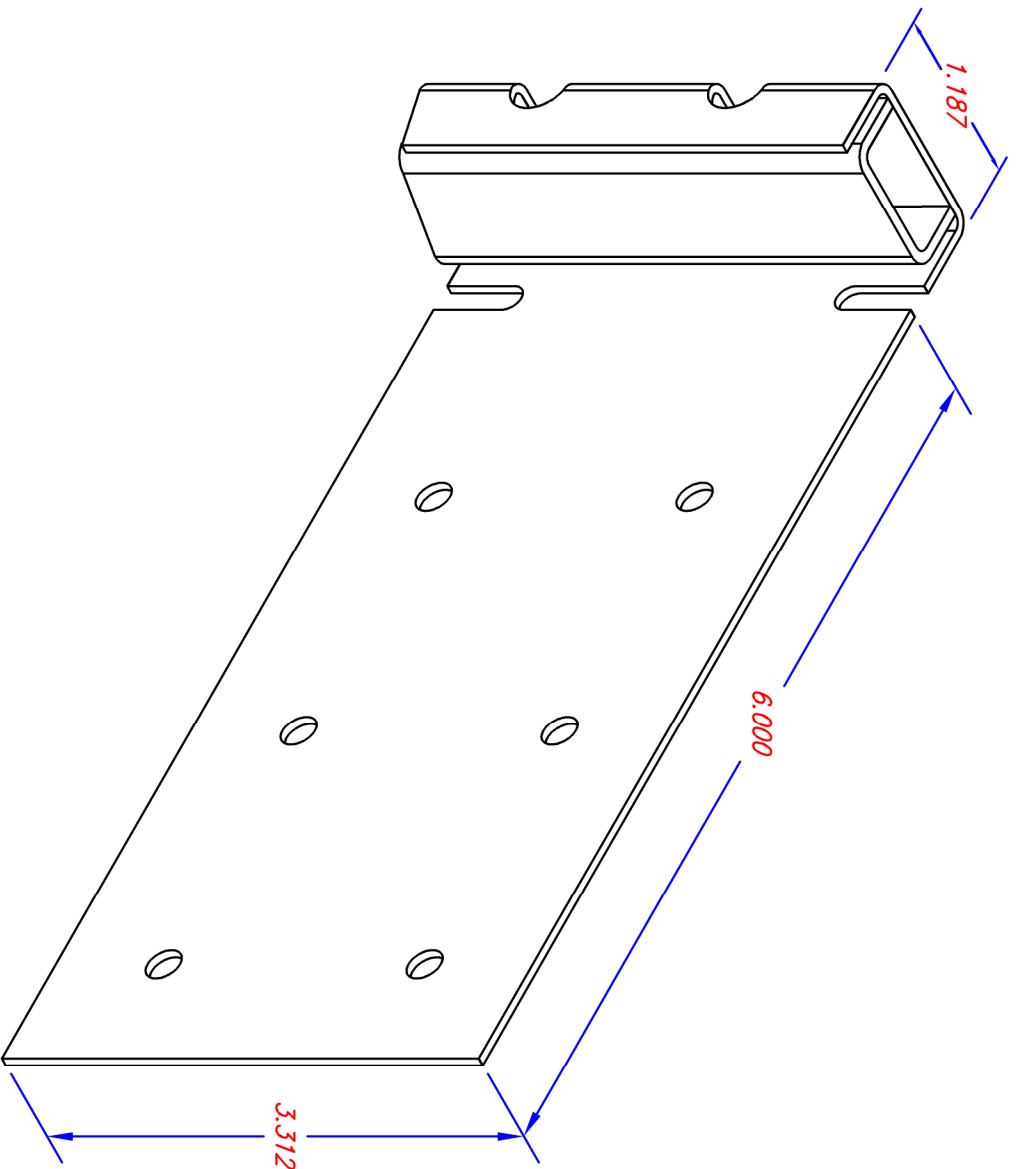
TITLE	PIAZZA PRODUCT DETAIL
CUSTOMER	PIAZZA STONENETWORKS

PROJECT	PIAZZA PRODUCT W/ ISO
SHEET TITLE	PIAZZA PTLB600-54 ASSY

COPYRIGHT NOTICE
 COPYRIGHT IS RETAINED BY
 PIAZZA STONE LLC. FROM THE DATE OF
 PUBLICATION OF THESE DOCUMENTS OR
 THE WORK REPRESENTED BY THEM IS
 PROHIBITED WITHOUT THE EXPRESS
 WRITTEN CONSENT OF PIAZZA STONE LLC.

PIAZZA TRACK AND PIAZZA CLIPS
 ARE MANUFACTURED
 EXCLUSIVELY BY
 THE STEEL NETWORK, INC. (TSN),
 US Patent #/ 503 150
www.steelnetwork.com





Confidential: PTLB600-54 Assy



DRAWING NUMBER		REVISION
PTLB600-54 ASSY		
DRAWN	CHECKED	
cbs	mjh	
SHEET	DATE	
	2/14/2020	

TITLE
PIAZZA PRODUCT DETAIL
CUSTOMER
PIAZZA STONETWORKS

PROJECT
PIAZZA WEBSITE
SHEET TITLE
PIAZZA PTLB600-54 ASSY

COPYRIGHT NOTICE
 COPYRIGHT IS RETAINED BY
 PIAZZA STONE LLC. FROM THE DATE OF
 PUBLICATION OF THESE DOCUMENTS OR
 THE WORK REPRESENTED BY THEM IS
 PROHIBITED WITHOUT THE EXPRESS
 WRITTEN CONSENT OF PIAZZA STONE LLC.

PIAZZA TRACK AND PIAZZA CLIPS
 ARE MANUFACTURED
 EXCLUSIVELY BY
 THE STEEL NETWORK, INC. (TSN),
 US Patent #7,503,150
www.steelnetwork.com