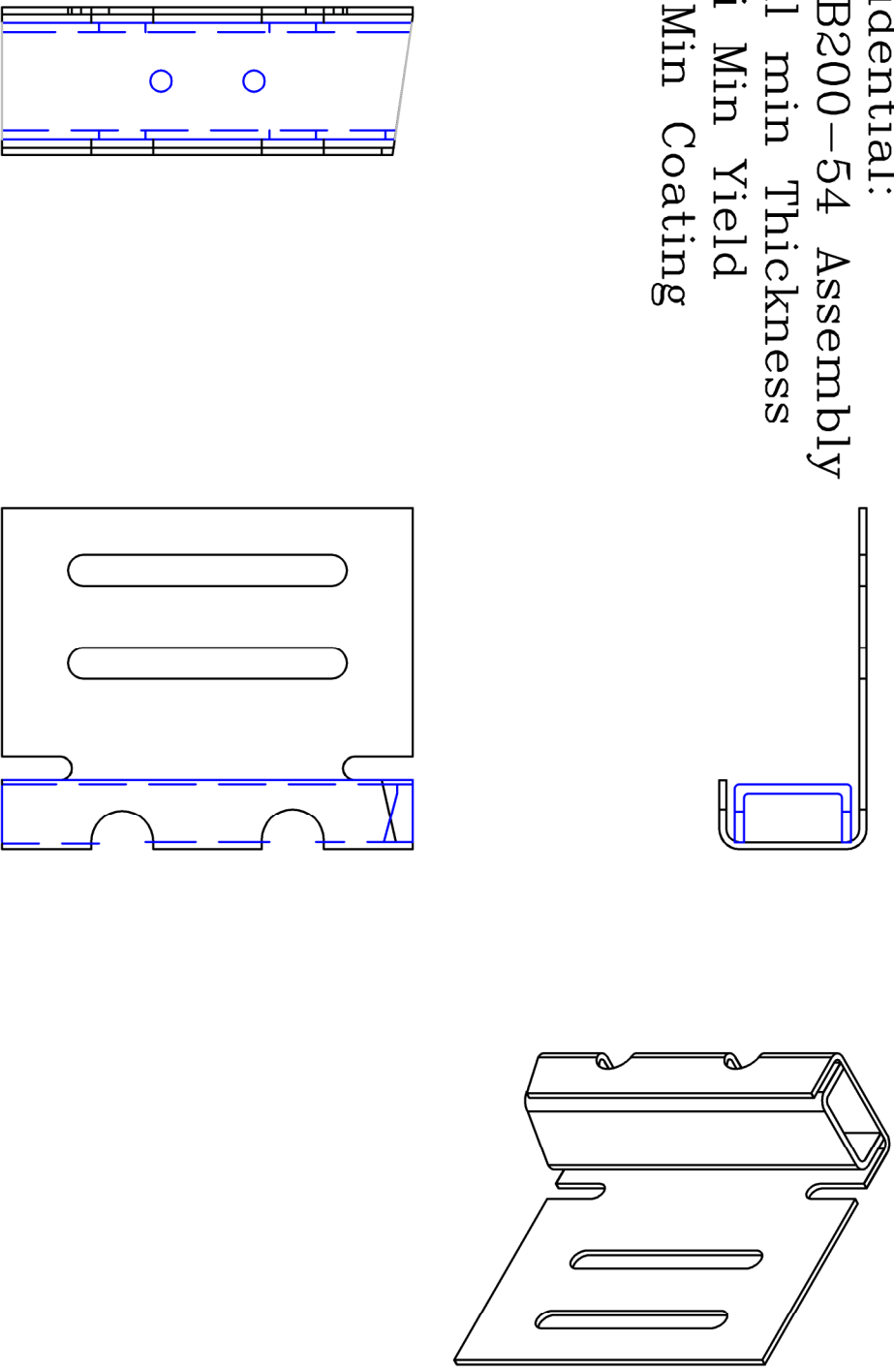


Confidential:
 PTSLB200-54 Assembly
 54mil min Thickness
 50ksi Min Yield
 G90 Min Coating



DRAWING NUMBER	CHECKED	REVISION
PTSLB200-54 ASSY	mjh	
DRAWN		
cbs		
SHEET	DATE	
	2/14/2020	

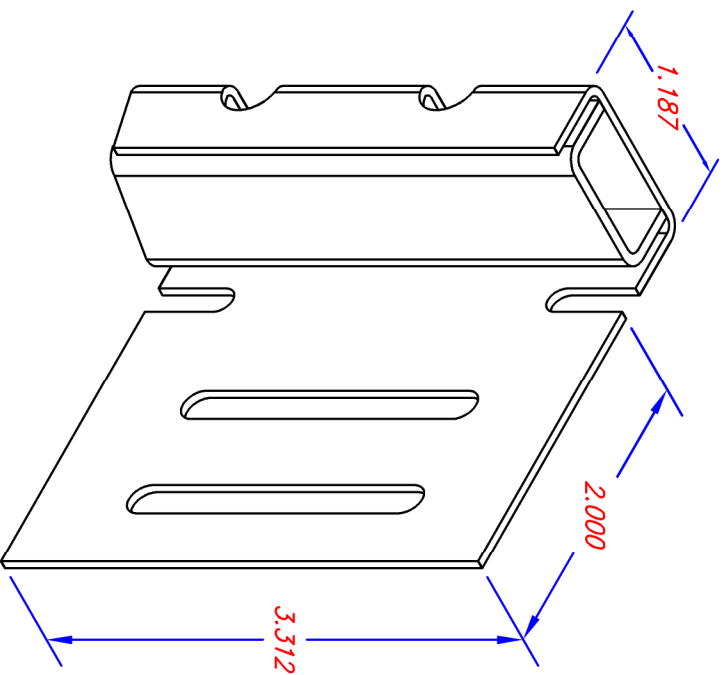
TITLE
PIAZZA PRODUCT DETAIL
CUSTOMER
PIAZZA STONENETWORKS

PROJECT
PIAZZA PRODUCT W/ ISO
SHEET TITLE
PIAZZA PTSLB200-54 ASSY

COPYRIGHT NOTICE
 COPYRIGHT IS RETAINED BY
 PIAZZA STONE LLC. FROM THE DATE OF
 PUBLICATION OF THESE DOCUMENTS OR
 THE WORK REPRESENTED BY THEM IS
 PROHIBITED WITHOUT THE EXPRESS
 WRITTEN CONSENT OF PIAZZA STONE LLC.

**PIAZZA TRACK AND PIAZZA CLIPS
 ARE MANUFACTURED
 EXCLUSIVELY BY
 THE STEEL NETWORK, INC. (TSN),
 US Patent #7,503,150
 www.steelnetwork.com**





Confidential: PTSLB200-54 Assy



DRAWING NUMBER	PTSLB200-54 ASSY	REVISION	
DRAWN	cbs	CHECKED	
SHEET	2/14/2020	DATE	

TITLE	PIAZZA PRODUCT DETAIL
CUSTOMER	PIAZZA STONENETWORKS

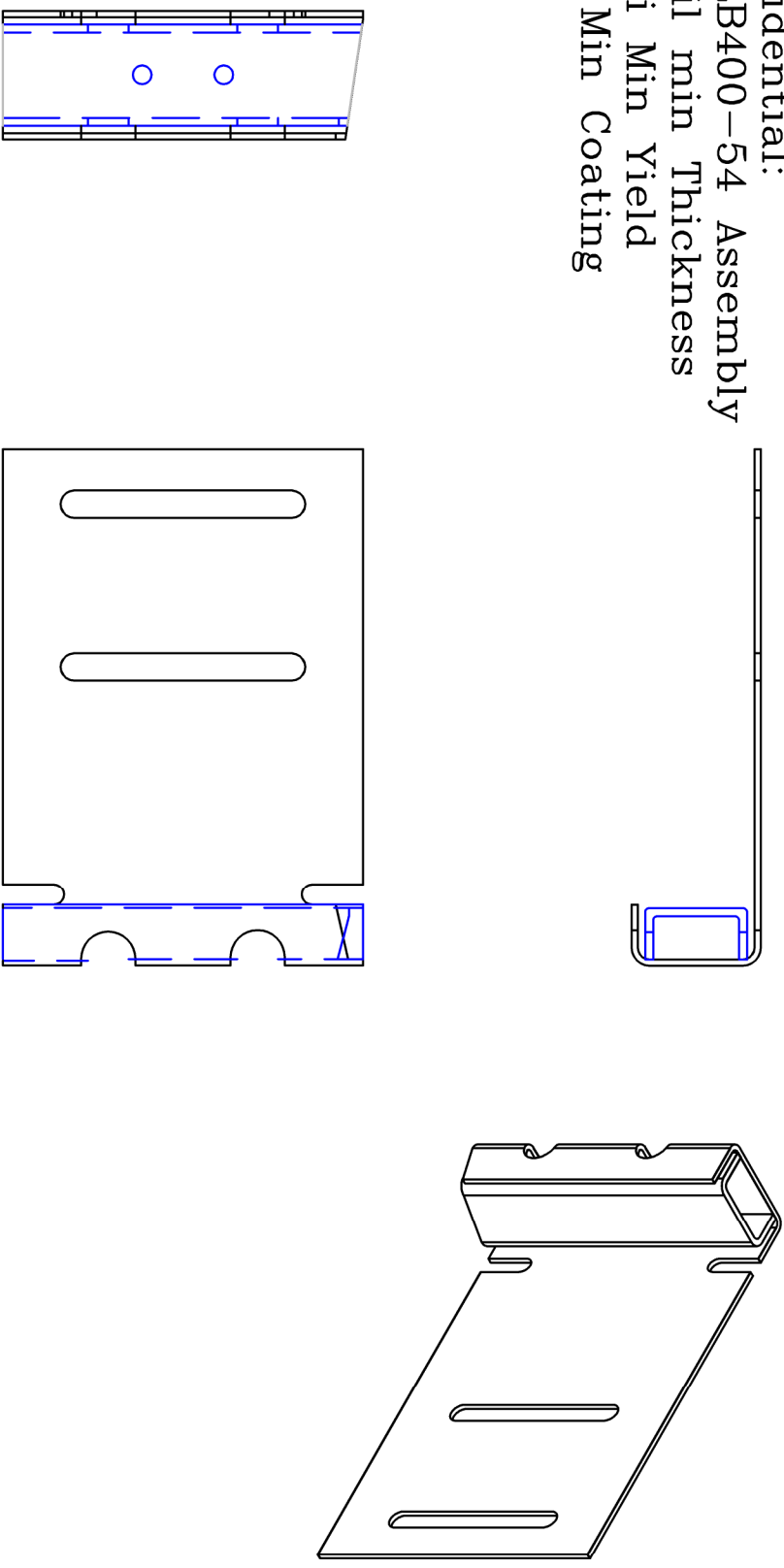
PROJECT	PIAZZA WEBSITE
SHEET TITLE	PIAZZA PTSLB200-54 ASSY

COPYRIGHT NOTICE
 COPYRIGHT IS RETAINED BY
 PIAZZA STONE LLC. FROM THE DATE OF
 PUBLICATION OF THESE DOCUMENTS OR
 THE WORK REPRESENTED BY THEM IS
 PROHIBITED WITHOUT THE EXPRESS
 WRITTEN CONSENT OF PIAZZA STONE LLC.

PIAZZA TRACK AND PIAZZA CLIPS
 ARE MANUFACTURED
 EXCLUSIVELY BY
 THE STEEL NETWORK, INC. (TSN),
 US Patent #7,503,150
www.steelnetwork.com



Confidential:
 PTSLB400-54 Assembly
 54mil min Thickness
 50ksi Min Yield
 G90 Min Coating



DRAWING NUMBER	PTSLB400-54 ASSY	REVISION	
DRAWN	cbs	CHECKED	
SHEET	2/14/2020	DATE	

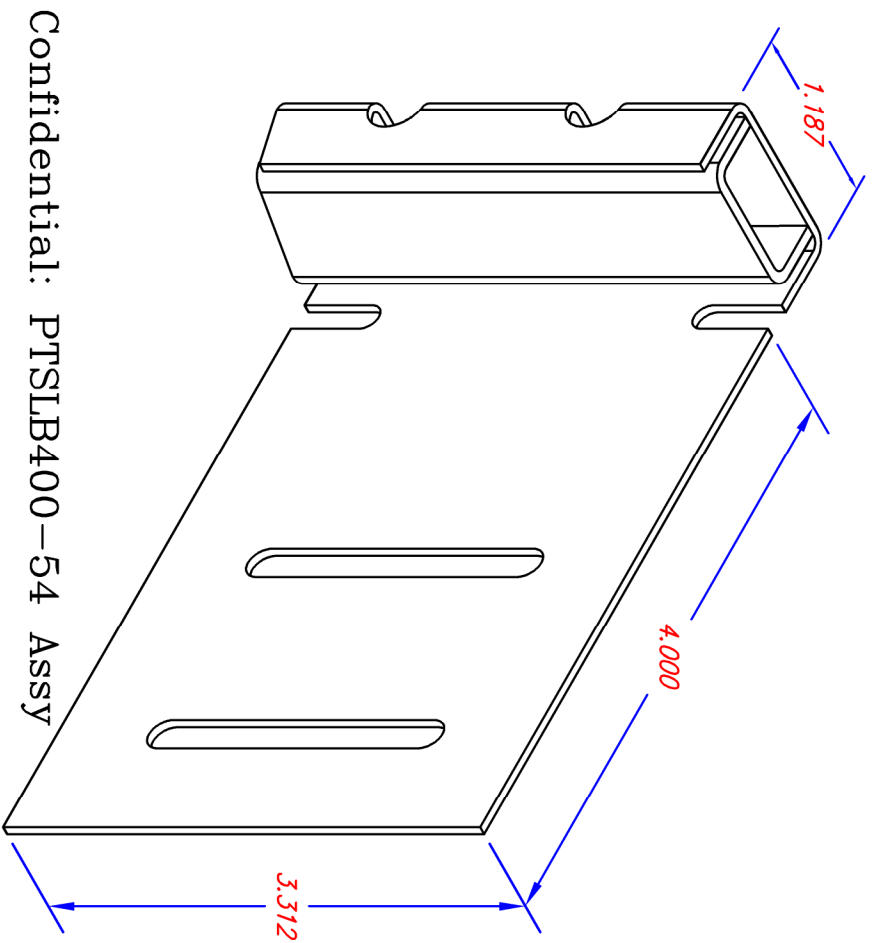
TITLE	PIAZZA PRODUCT DETAIL
CUSTOMER	PIAZZA STONENETWORKS

PROJECT	PIAZZA PRODUCT W/ ISO
SHEET TITLE	PIAZZA PTSLB400-54 ASSY

COPYRIGHT NOTICE
 COPYRIGHT IS RETAINED BY
 PIAZZA STONE LLC, FROM THE DATE OF
 PUBLICATION OF THESE DOCUMENTS OR
 THE WORK REPRESENTED BY THEM IS
 PROHIBITED WITHOUT THE EXPRESS
 WRITTEN CONSENT OF PIAZZA STONE LLC.

PIAZZA TRACK AND PIAZZA CLIPS
 ARE MANUFACTURED
 EXCLUSIVELY BY
 THE STEEL NETWORK, INC. (TSN),
 US Patent #7,503,150
www.steelnetwork.com





Confidential: PTSLB400-54 Assy



DRAWING NUMBER	PTSLB400-54 ASSY	REVISION	
DRAWN	cbs	CHECKED	mjh
SHEET	2/14/2020	DATE	

TITLE	PIAZZA PRODUCT DETAIL
CUSTOMER	PIAZZA STONEWORKS

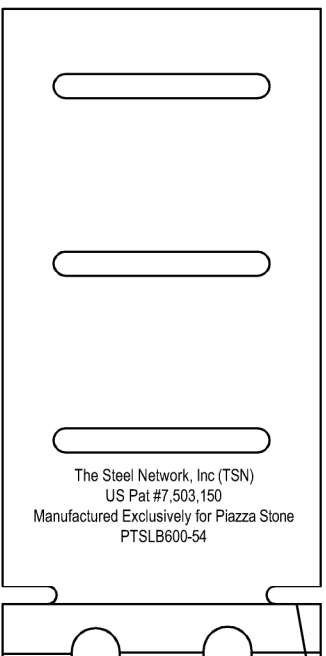
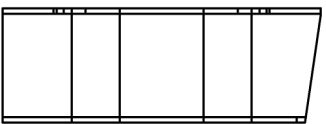
PROJECT	PIAZZA WEBSITE
SHEET TITLE	PIAZZA PTSLB400-54 ASSY

COPYRIGHT NOTICE
 COPYRIGHT IS RETAINED BY
 PIAZZA STONE LLC. FROM THE DATE OF
 PUBLICATION OF THESE DOCUMENTS OR
 THE WORK REPRESENTED BY THEM IS
 PROHIBITED WITHOUT THE EXPRESS
 WRITTEN CONSENT OF PIAZZA STONE LLC.

PIAZZA TRACK AND PIAZZA CLIPS
 ARE MANUFACTURED
 EXCLUSIVELY BY
 THE STEEL NETWORK, INC. (TSN),
 US Patent #7,503,150
www.steelnetwork.com

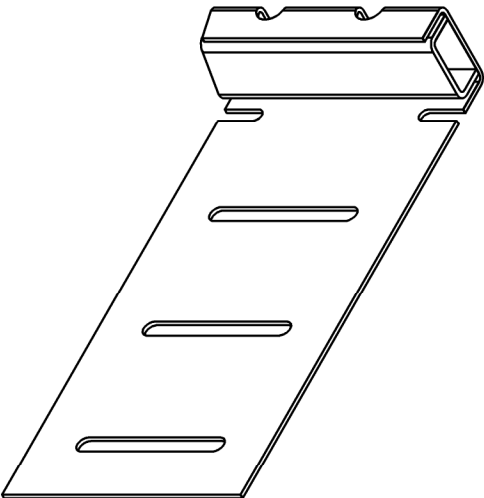


Confidential:
 PTSLB600-54 Assembly
 54mil min Thickness
 50ksi Min Yield
 G90 Min Coating



The Steel Network, Inc (TSN)
 US Pat #7,503,150
 Manufactured Exclusively for Piazza Stone
 PTSLB600-54

PTSLB600-54



DRAWING NUMBER	PTSLB600-54 ASSY	REVISION	
DRAWN	cbs	CHECKED	mjh
SHEET	6/4/2020	DATE	

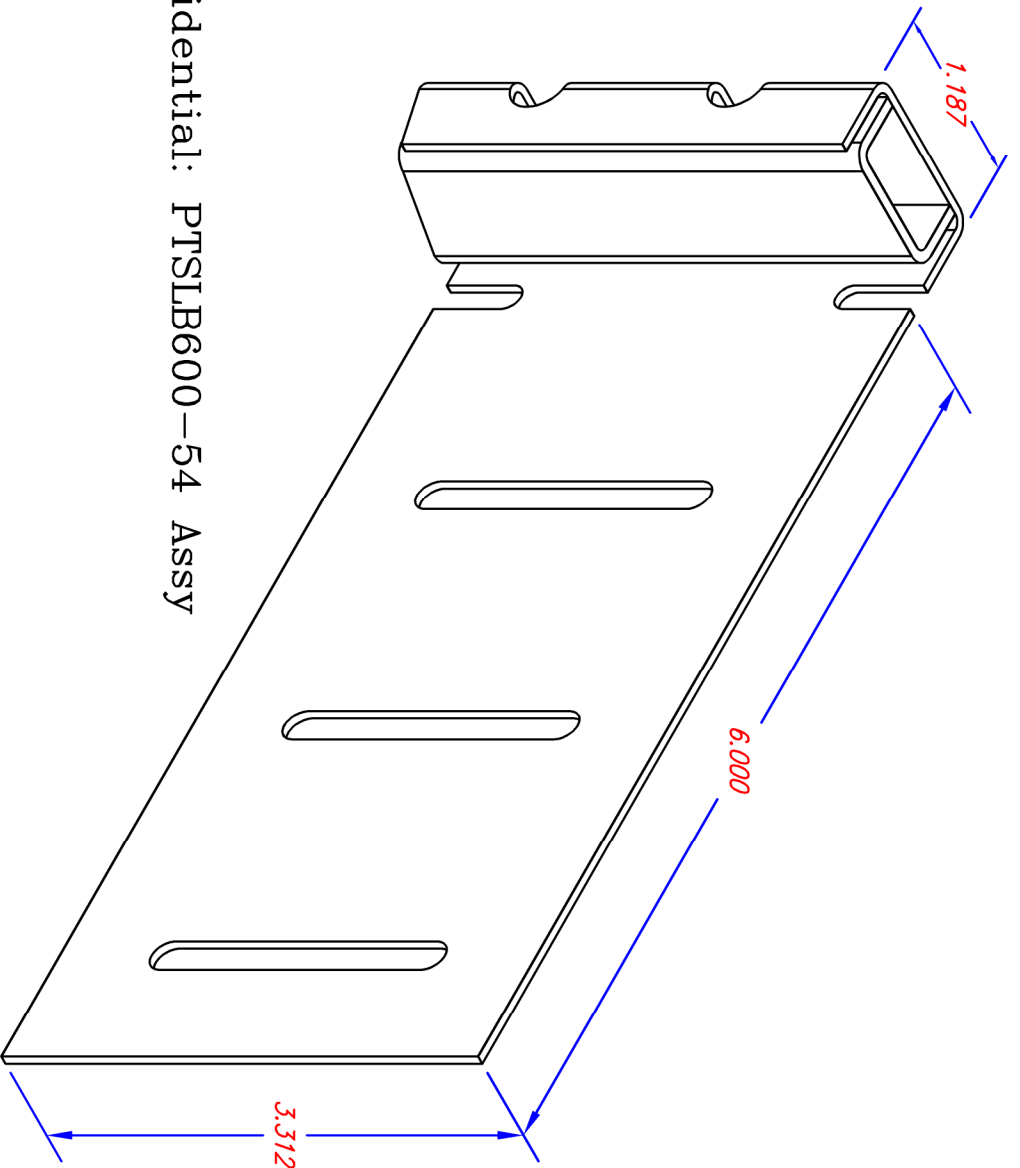
TITLE	PIAZZA PRODUCT DETAIL
CUSTOMER	PIAZZA STONEWORKS

PROJECT	PIAZZA PRODUCT W/ ISO
SHEET TITLE	PIAZZA PTSLB600-54 ASSY

COPYRIGHT NOTICE
 COPYRIGHT IS RETAINED BY
 PIAZZA STONE LLC. FROM THE DATE OF
 PUBLICATION OF THESE DOCUMENTS OR
 THE WORK REPRESENTED BY THEM IS
 PROHIBITED WITHOUT THE EXPRESS
 WRITTEN CONSENT OF PIAZZA STONE LLC.

PIAZZA TRACK AND PIAZZA CLIPS
 ARE MANUFACTURED
 EXCLUSIVELY BY
 THE STEEL NETWORK, INC. (TSN),
 US Patent #7,503,150
www.steelnetwork.com





Confidential: PTSLB600-54 Assy



DRAWING NUMBER		PTSLB600-54 ASSY	REVISION
DRAWN	CHECKED		
cbs	mjh		
SHEET	DATE		
	6/4/2020		

TITLE	PIAZZA PRODUCT DETAIL
CUSTOMER	PIAZZA STONEWORKS

PROJECT	PIAZZA WEBSITE
SHEET TITLE	PIAZZA PTSLB600-54 ASSY

COPYRIGHT NOTICE
 COPYRIGHT IS RETAINED BY
 PIAZZA STONE LLC, FROM THE DATE OF
 PUBLICATION OF THESE DOCUMENTS OR
 THE WORK REPRESENTED BY THEM IS
 PROHIBITED WITHOUT THE EXPRESS
 WRITTEN CONSENT OF PIAZZA STONE LLC.

PIAZZA TRACK AND PIAZZA CLIPS
 ARE MANUFACTURED
 EXCLUSIVELY BY
 THE STEEL NETWORK, INC. (TSN),
 US Patent #7,503,150
www.steelnetwork.com