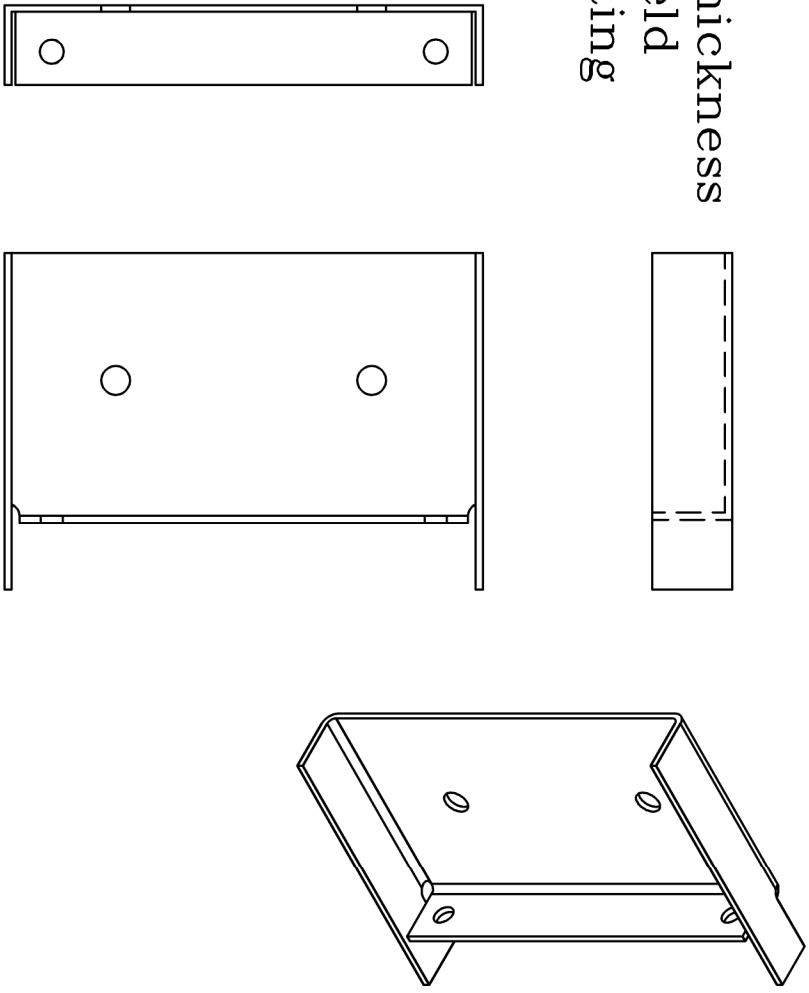


Confidential:
 PTMC200-54
 54mil min Thickness
 50ksi Min Yield
 G90 Min Coating



DRAWING NUMBER		REVISION
PTMC200-54		
DRAWN	CHECKED	
cbs	mjh	
SHEET	DATE	
	2/14/2020	

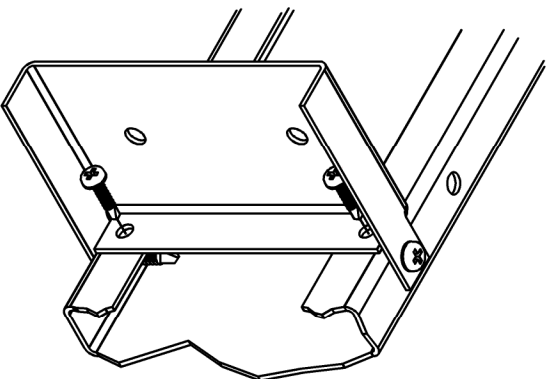
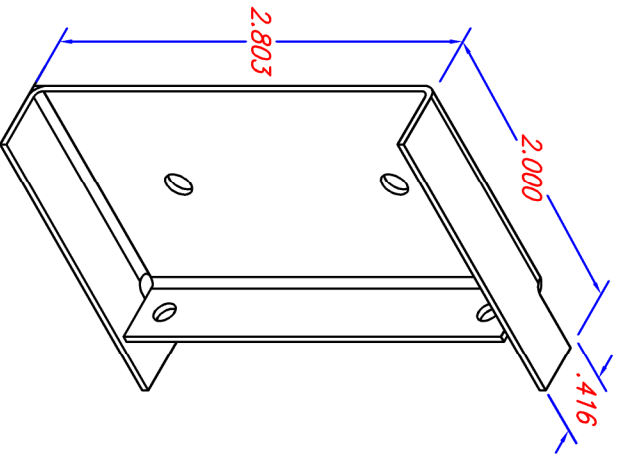
TITLE
PIAZZA PRODUCT DETAIL
CUSTOMER
PIAZZA STONENETWORKS

PROJECT
PIAZZA PRODUCT W/ ISO
SHEET TITLE
PIAZZA PTMC200-54

COPYRIGHT NOTICE
 COPYRIGHT IS RETAINED BY
 PIAZZA STONE LLC. FROM THE DATE OF
 PUBLICATION OF THESE DOCUMENTS OR
 THE WORK REPRESENTED BY THEM IS
 PROHIBITED WITHOUT THE EXPRESS
 WRITTEN CONSENT OF PIAZZA STONE LLC.

PIAZZA TRACK AND PIAZZA CLIPS
 ARE MANUFACTURED
 EXCLUSIVELY BY
 THE STEEL NETWORK, INC. (TSN),
 US Patent #/ 503 150
www.steelnetwork.com





Confidential: PTMC200-54



DRAWING NUMBER	PTMC200-54	REVISION	
DRAWN	cbs	CHECKED	
SHEET	2/14/2020	DATE	

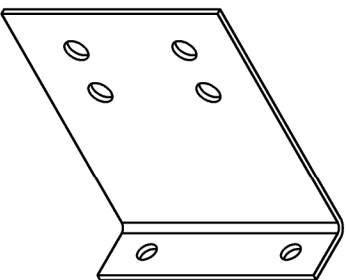
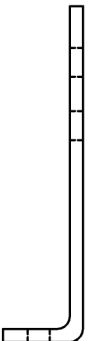
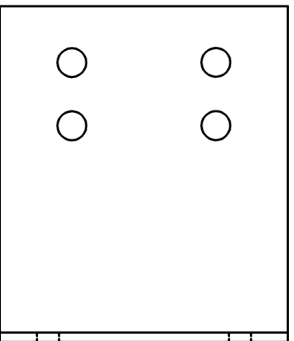
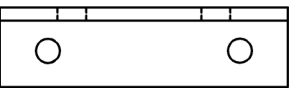
TITLE	PIAZZA PRODUCT DETAIL
CUSTOMER	PIAZZA STONEWORKS

PROJECT	PIAZZA WEBSITE
SHEET TITLE	PIAZZA PTMC200-54

COPYRIGHT NOTICE
 COPYRIGHT IS RETAINED BY
 PIAZZA STONE LLC. FROM THE DATE OF
 PUBLICATION OF THESE DOCUMENTS OR
 THE WORK REPRESENTED BY THEM IS
 PROHIBITED WITHOUT THE EXPRESS
 WRITTEN CONSENT OF PIAZZA STONE LLC.

PIAZZA TRACK AND PIAZZA CLIPS
 ARE MANUFACTURED
 EXCLUSIVELY BY
 THE STEEL NETWORK, INC. (TSN),
 US Patent #7,503,150
www.steelnetwork.com

Confidential: Piazza PUC225-54
 54mil Min Thickness
 50ksi Min Yield
 G90 Min Coating Weight



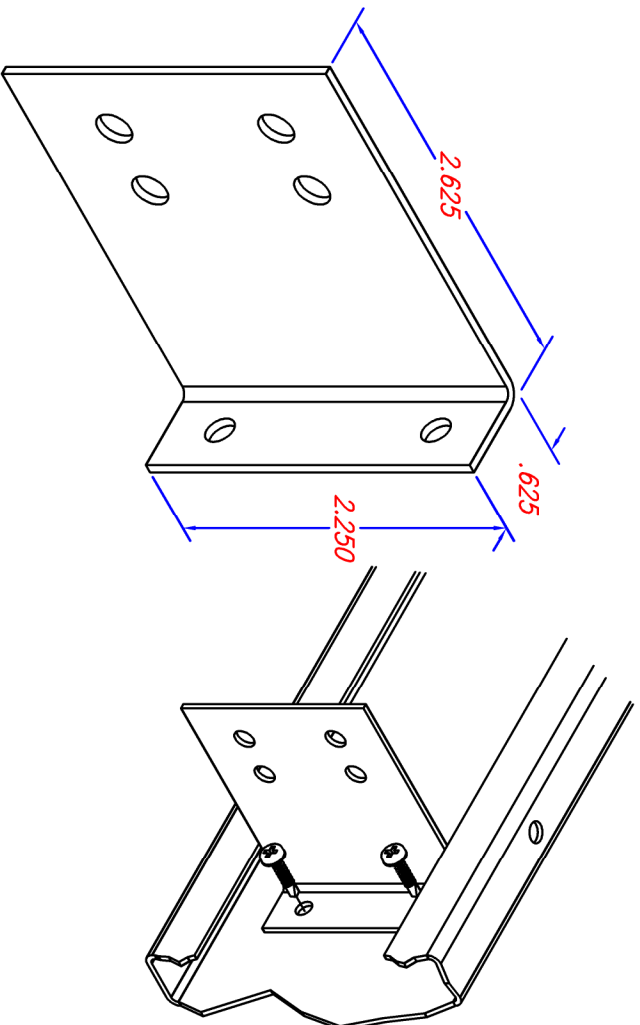
DRAWING NUMBER		REVISION
PUC225-54		
DRAWN	CHECKED	
cbs	mjh	
SHEET	DATE	
	2/14/2020	

TITLE
PIAZZA PRODUCT DETAIL
CUSTOMER
PIAZZA STONEWORKS

PROJECT
PIAZZA PRODUCT W/ ISO
SHEET TITLE
PIAZZA PUC225-54

COPYRIGHT NOTICE
 COPYRIGHT IS RETAINED BY
 PIAZZA STONE LLC. FROM THE DATE OF
 PUBLICATION OF THESE DOCUMENTS OR
 THE WORK REPRESENTED BY THEM IS
 PROHIBITED WITHOUT THE EXPRESS
 WRITTEN CONSENT OF PIAZZA STONE LLC.

PIAZZA TRACK AND PIAZZA CLIPS
 ARE MANUFACTURED
 EXCLUSIVELY BY
 THE STEEL NETWORK, INC. (TSN),
 US Patent #7,503,150
www.steelnetwork.com



Confidential: Piazza PUC225-54



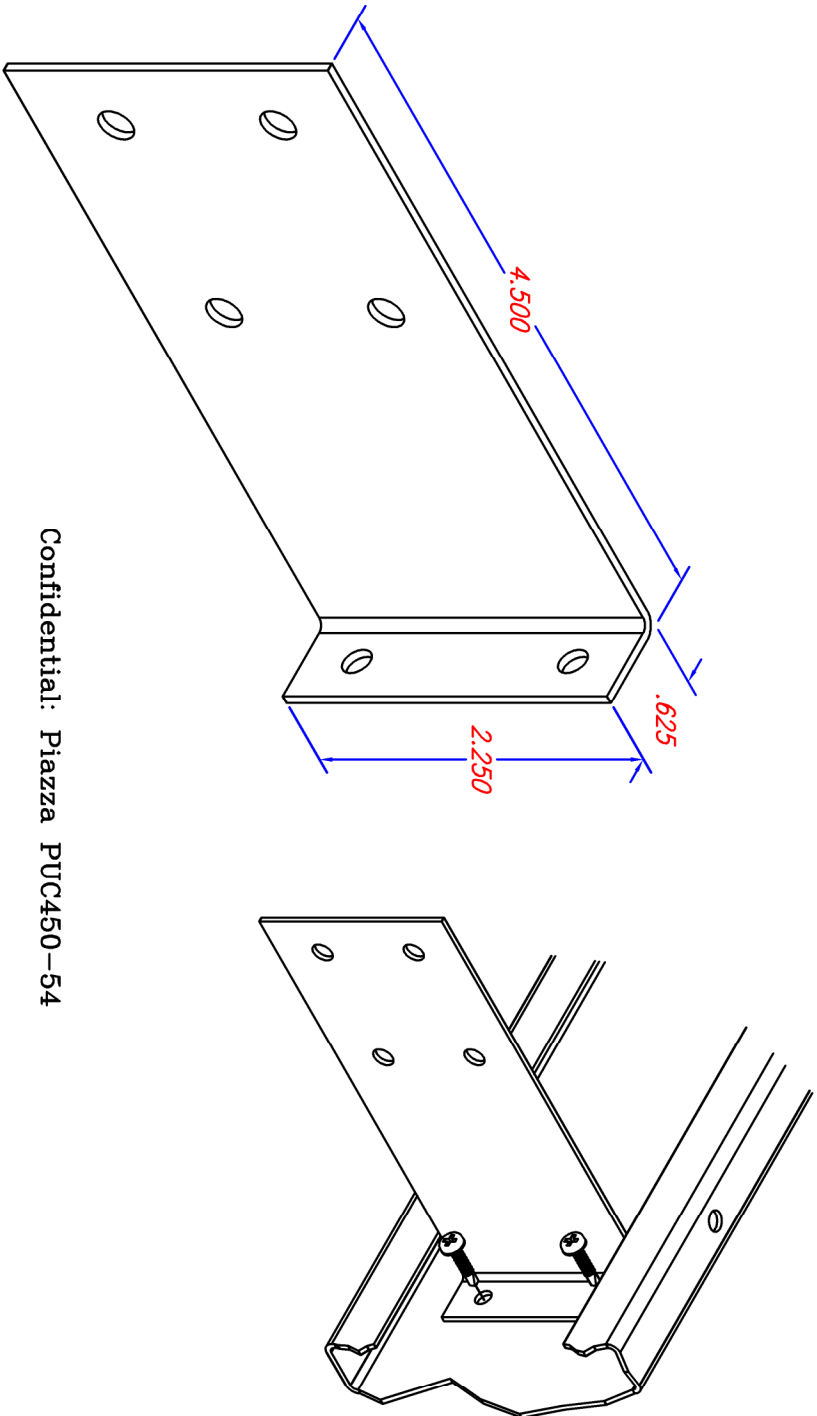
DRAWING NUMBER	PUC225-54	REVISION	
DRAWN	cbs	CHECKED	
SHEET	2/14/2020	DATE	

TITLE	PIAZZA PRODUCT DETAIL
CUSTOMER	PIAZZA STONEWORKS

PROJECT	PIAZZA WEBSITE
SHEET TITLE	PIAZZA PUC225-54

COPYRIGHT NOTICE
 COPYRIGHT IS RETAINED BY
 PIAZZA STONE L.L.C., FROM THE DATE OF
 PUBLICATION OF THESE DOCUMENTS OR
 THE WORK REPRESENTED BY THEM IS
 PROHIBITED WITHOUT THE EXPRESS
 WRITTEN CONSENT OF PIAZZA STONE L.L.C.

PIAZZA TRACK AND PIAZZA CLIPS
 ARE MANUFACTURED
 EXCLUSIVELY BY
 THE STEEL NETWORK, INC. (TSN),
 US Patent #7,503,150
www.steelnetwork.com



Confidential: Piazza PUC450-54



DRAWING NUMBER		PUC450-54
DRAWN	CHECKED	
cbs	mjh	
SHEET	DATE	2/14/2020
REVISION		
Δ		
Δ		
Δ		
Δ		

TITLE	PIAZZA PRODUCT DETAIL
CUSTOMER	PIAZZA STONEWORKS

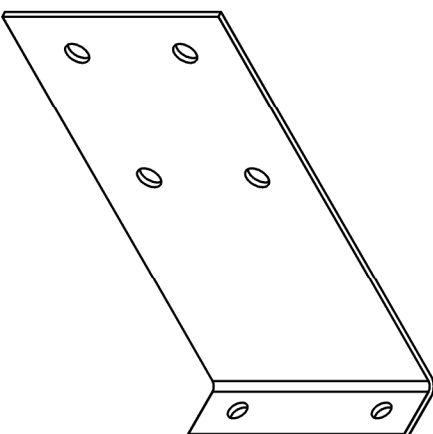
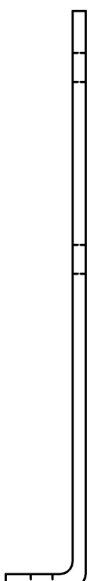
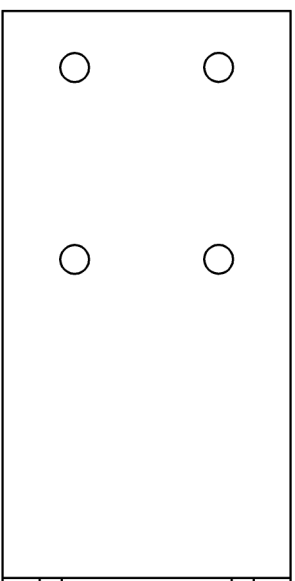
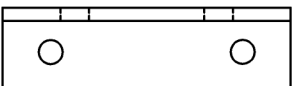
PROJECT	PIAZZA WEBSITE
SHEET TITLE	PIAZZA PUC450-54

COPYRIGHT NOTICE
 COPYRIGHT IS RETAINED BY
 PIAZZA STONE LLC. FROM THE DATE OF
 PUBLICATION OF THESE DOCUMENTS OR
 THE WORK REPRESENTED BY THEM IS
 PROHIBITED WITHOUT THE EXPRESS
 WRITTEN CONSENT OF PIAZZA STONE LLC.

PIAZZA TRACK AND PIAZZA CLIPS
 ARE MANUFACTURED
 EXCLUSIVELY BY
 THE STEEL NETWORK, INC. (TSN),
 US Patent #7,503,150
www.steelnetwork.com



Confidential: Piazza PUC450-54
 54mil Min Thickness
 50ksi Min Yield
 G90 Min Coating Weight



DRAWING NUMBER		PUC450-54	
DRAWN	CHICKED		
cbs	mjh		
SHEET	DATE		
	2/14/2020		
REVISION			

TITLE	PIAZZA PRODUCT DETAIL
CUSTOMER	PIAZZA STONEWORKS

PROJECT	PIAZZA PRODUCT W/ ISO
SHEET TITLE	PIAZZA PUC450-54

COPYRIGHT NOTICE
 COPYRIGHT IS RETAINED BY
 PIAZZA STONE LLC. FROM THE DATE OF
 PUBLICATION OF THESE DOCUMENTS OR
 THE WORK REPRESENTED BY THEM IS
 PROHIBITED WITHOUT THE EXPRESS
 WRITTEN CONSENT OF PIAZZA STONE LLC.

PIAZZA TRACK AND PIAZZA CLIPS
 ARE MANUFACTURED
 EXCLUSIVELY BY
 THE STEEL NETWORK, INC. (TSN),
 US Patent #7,503,150
www.steelnetwork.com