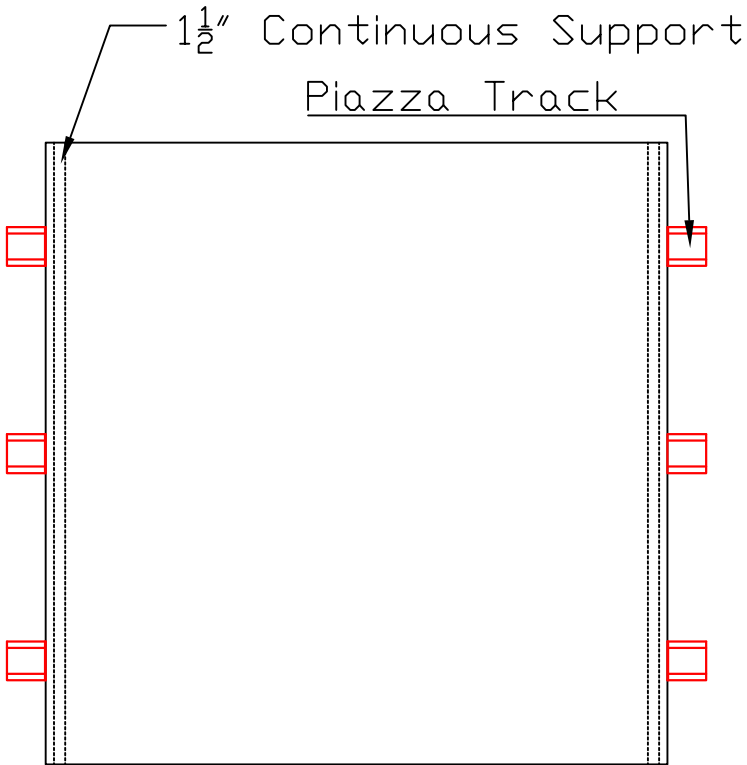
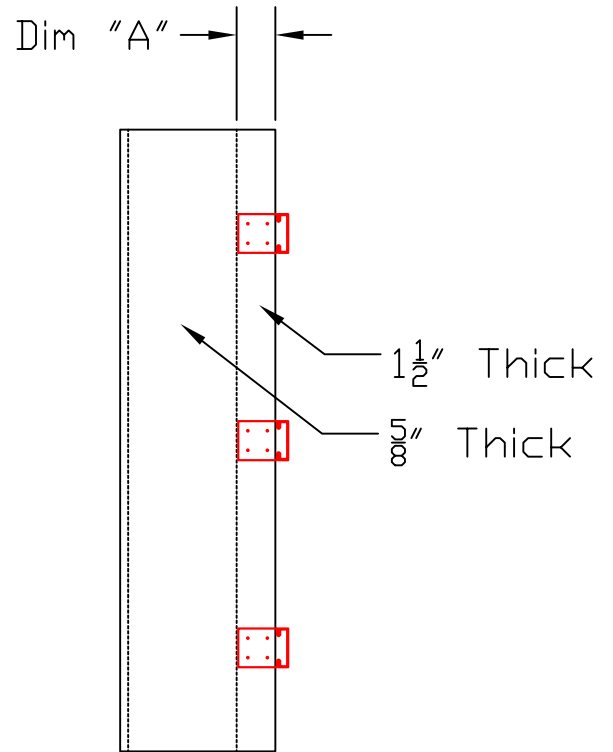


Foam core
PLAN VIEW



ELEVATION VIEW



SIDE VIEW

Dim "A"	
PTLB200-54	3"
PTLB400-54	5"
PTLB600-54	7"

DATE: 2-11-2021
PROJECT: SHT. No.

Clip Support Area - Opt. 1