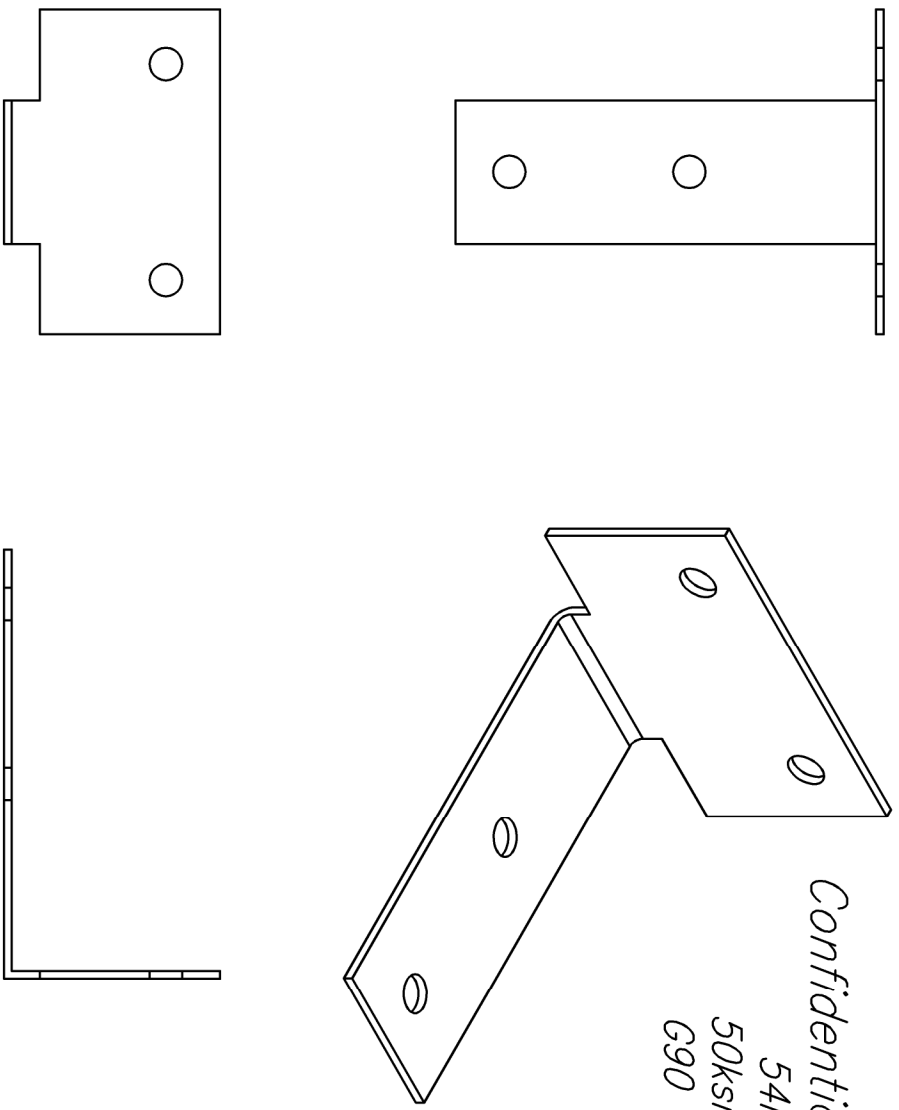


*Confidential: Piazza PZ-10-54
 54mil Min Thickness
 50ksi Min Yield Strength
 G90 Min Coating Weight*



DRAWING NUMBER		REVISION	
PZ-10-54			
DRAWN	CHECKED	Δ	
cbs	mjh	Δ	
SHEET	DATE	Δ	
	2/14/2020	Δ	

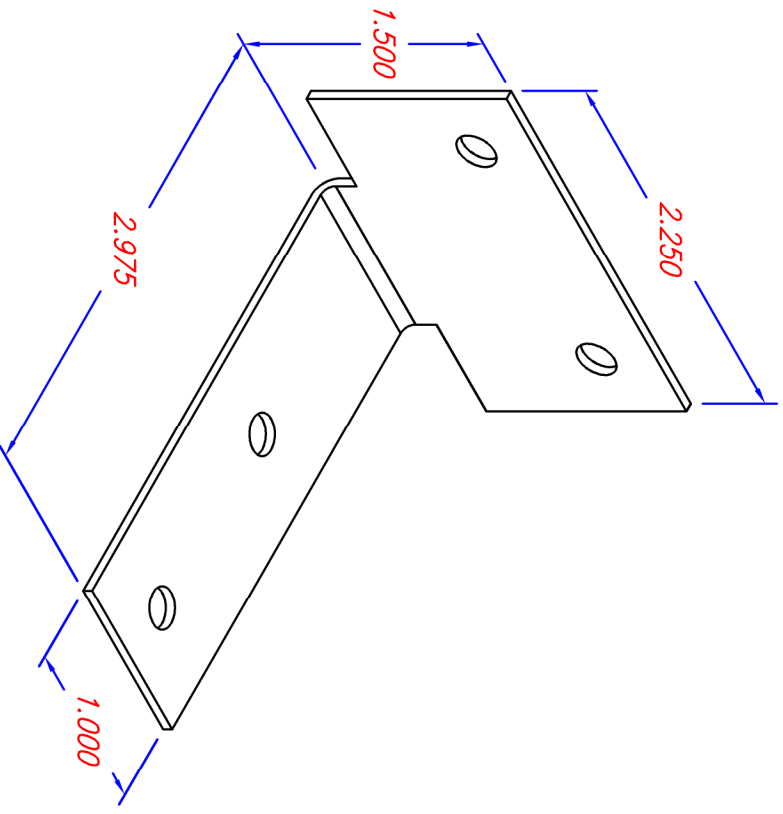
TITLE	PIAZZA PRODUCT DETAIL
CUSTOMER	PIAZZA STONEWORKS

PROJECT	PIAZZA PART w/ ISO
SHEET TITLE	NO DIMS
	PIAZZA PZ-10-54

COPYRIGHT NOTICE
 COPYRIGHT IS RETAINED BY
 PIAZZA STONE LLC. FROM THE DATE OF
 PUBLICATION OF THESE DOCUMENTS OR
 THE WORK REPRESENTED BY THEM IS
 PROHIBITED WITHOUT THE EXPRESS
 WRITTEN CONSENT OF PIAZZA STONE LLC.

**PIAZZA TRACK AND PIAZZA CLIPS
 ARE MANUFACTURED
 EXCLUSIVELY BY
 THE STEEL NETWORK, INC. (TSN),
 US Patent #7,503,150
 www.steelnetwork.com**





Confidential: Piazza PZ-10-54



DRAWING NUMBER		REVISION
PZ-10-54		
DRAWN	CHECKED	
cbs	mjh	
SHEET	DATE	
	2/14/2020	

TITLE	PIAZZA PRODUCT DETAIL
CUSTOMER	PIAZZA STONEWORKS

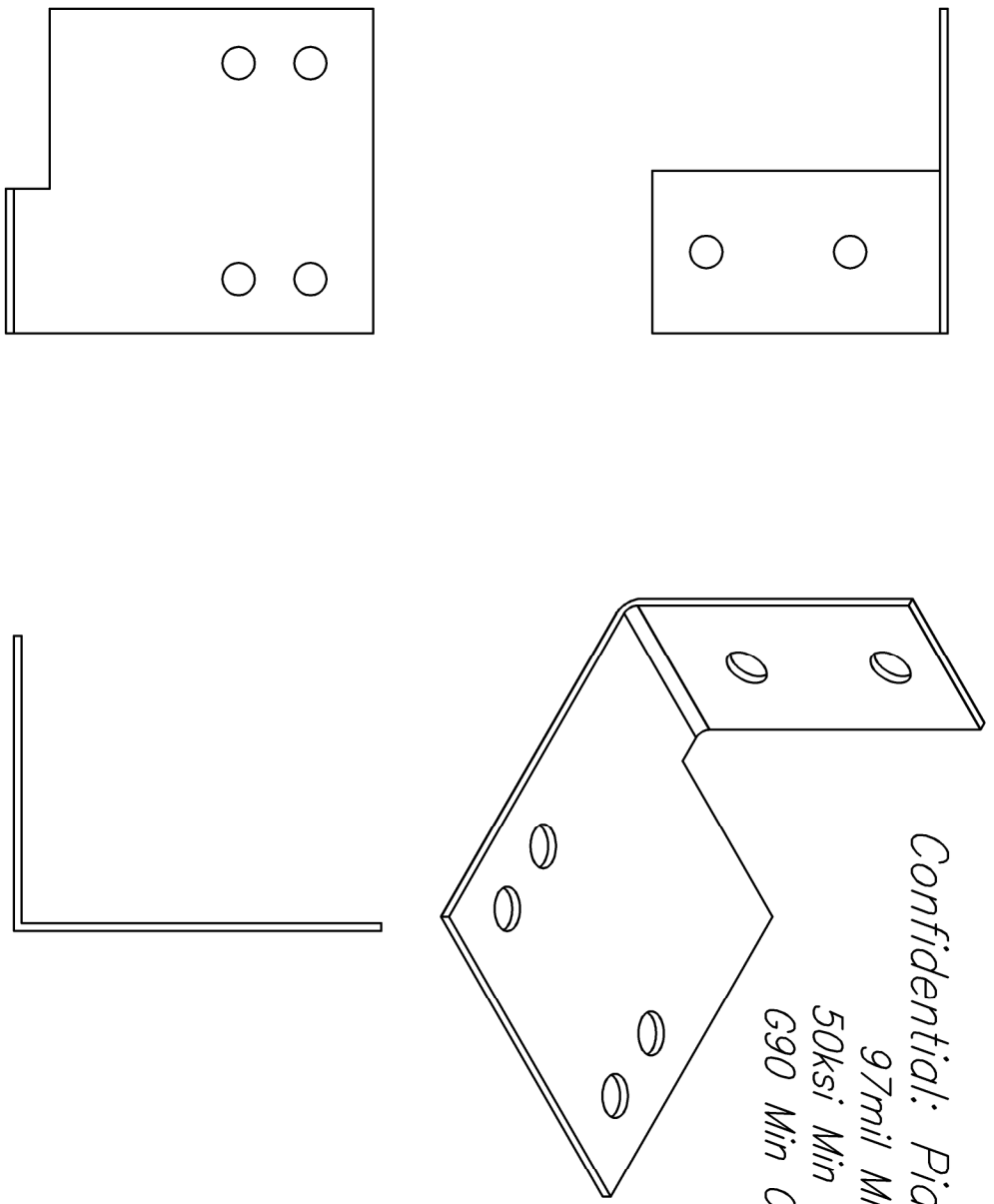
PROJECT	PIAZZA WEBSITE
SHEET TITLE	PIAZZA PZ-10-54

COPYRIGHT NOTICE
 COPYRIGHT IS RETAINED BY
 PIAZZA STONE LLC. FROM THE DATE OF
 PUBLICATION OF THESE DOCUMENTS OR
 THE WORK REPRESENTED BY THEM IS
 PROHIBITED WITHOUT THE EXPRESS
 WRITTEN CONSENT OF PIAZZA STONE LLC.

PIAZZA TRACK AND PIAZZA CLIPS
 ARE MANUFACTURED
 EXCLUSIVELY BY
 THE STEEL NETWORK, INC. (TSN),
 US Patent #7,503,150
www.steelnetwork.com



*Confidential: Piazza PZ-12-L-97
 97mil Min Thickness
 50ksi Min Yield Strength
 G90 Min Coating Weight*



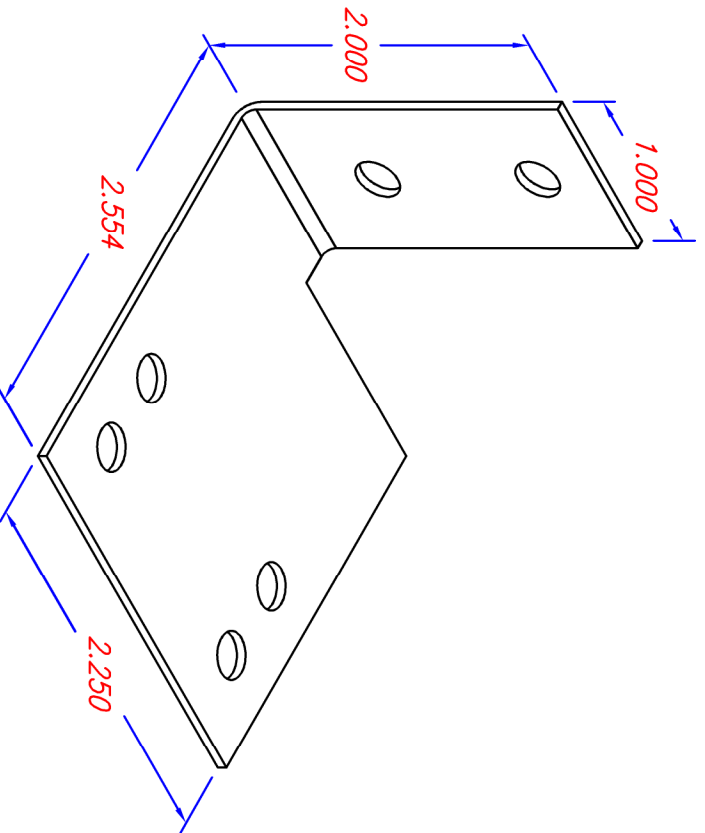
DRAWING NUMBER		REVISION
PZ-12-L-97		
DRAWN	CHECKED	
cbs	mjh	
SHEET	DATE	
	2/14/2020	

TITLE
PIAZZA PRODUCT DETAIL
CUSTOMER
PIAZZA STONWORKS

PROJECT
PIAZZA PART w/ ISO
NO DIMS
SHEET TITLE
PIAZZA PZ-12-L-97

COPYRIGHT NOTICE
 COPYRIGHT IS RETAINED BY
 PIAZZA STONE LLC. FROM THE DATE OF
 THIS DOCUMENT. ANY REPRODUCTION OR
 DUPLICATION OF THESE DOCUMENTS OR
 THE WORK REPRESENTED BY THEM IS
 PROHIBITED WITHOUT THE EXPRESS
 WRITTEN CONSENT OF PIAZZA STONE LLC.

PIAZZA TRACK AND PIAZZA CLIPS
 ARE MANUFACTURED
 EXCLUSIVELY BY
 THE STEEL NETWORK, INC. (TSN),
 US Patent #7,503,150
www.steelnetwork.com



Confidential: Piazza PZ-12-L-97



DRAWING NUMBER		REVISION
PZ-12-L-97		
DRAWN	CHECKED	
cbs	mjh	
SHEET	DATE	
	2/14/2020	

TITLE	PIAZZA PRODUCT DETAIL
CUSTOMER	PIAZZA STONEWORKS

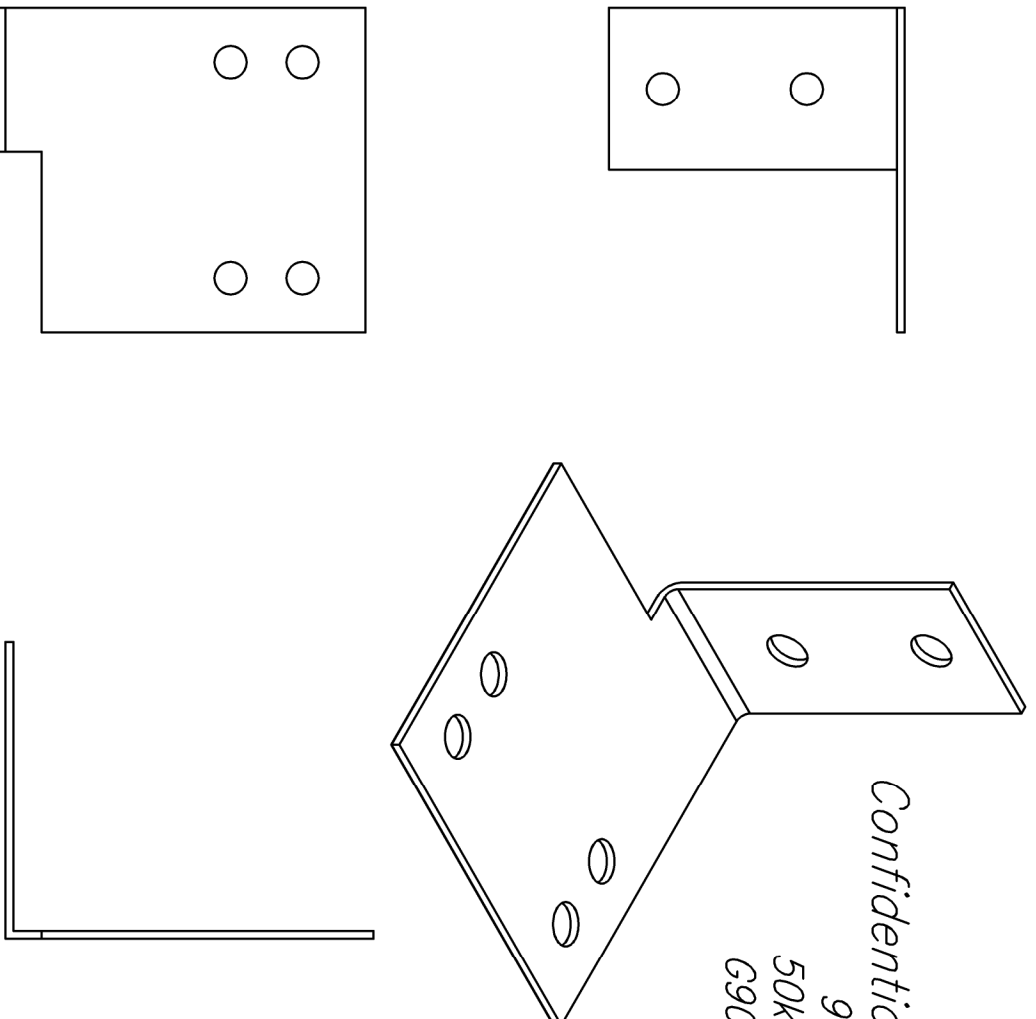
PROJECT	PIAZZA WEBSITE
SHEET TITLE	PIAZZA PZ-12-L-97

COPYRIGHT NOTICE
 COPYRIGHT IS RETAINED BY
 PIAZZA STONE L.L.C., FROM THE DATE OF
 PUBLICATION OF THESE DOCUMENTS OR
 THE WORK REPRESENTED BY THEM IS
 PROHIBITED WITHOUT THE EXPRESS
 WRITTEN CONSENT OF PIAZZA STONE L.L.C.

PIAZZA TRACK AND PIAZZA CLIPS
 ARE MANUFACTURED
 EXCLUSIVELY BY
 THE STEEL NETWORK, INC. (TSN),
 US Patent #7,503,150
www.steelnetwork.com



*Confidential: Piazza PZ-12-R-97
 97mil Min Thickness
 50ksi Min Yield Strength
 G90 Min Coating Weight*



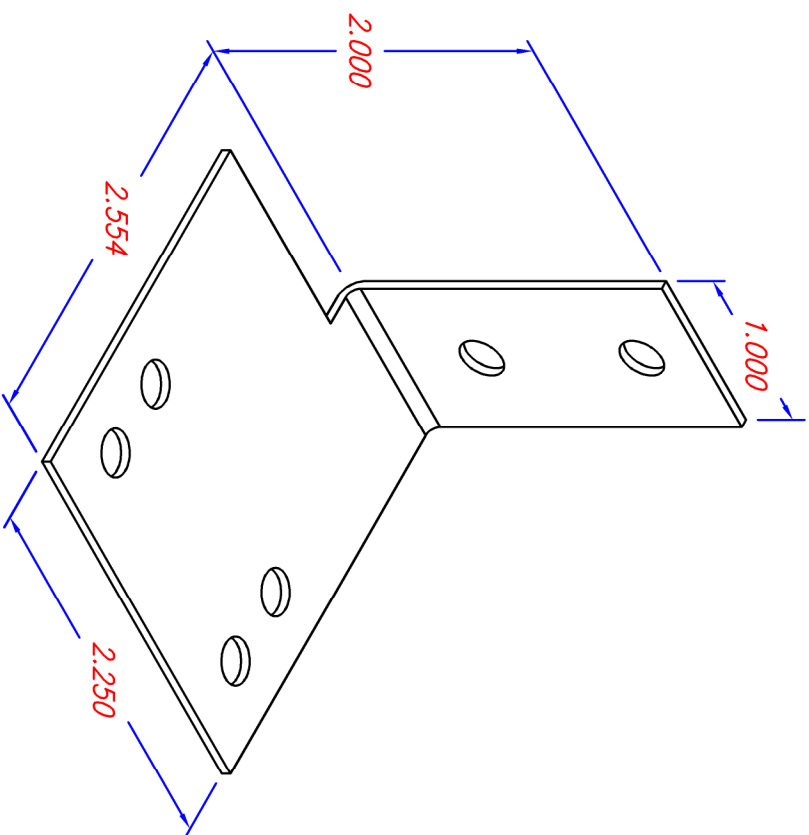
DRAWING NUMBER		REVISION
PZ-12-R-97	CHECKED	Δ
DRAWN	DATE	Δ
cbs	2/14/2020	Δ
SHEET		Δ

TITLE	PIAZZA PRODUCT DETAIL
CUSTOMER	PIAZZA STONEWORKS

PROJECT	PIAZZA PART w/ ISO NO DIMS
SHEET TITLE	PIAZZA PZ-12-R-97

COPYRIGHT NOTICE
 COPYRIGHT IS RETAINED BY PIAZZA STONE LLC. FROM THE DATE OF PUBLICATION OF THESE DOCUMENTS OR THE WORK REPRESENTED BY THEM IS PROHIBITED WITHOUT THE EXPRESS WRITTEN CONSENT OF PIAZZA STONE LLC.

PIAZZA TRACK AND PIAZZA CLIPS ARE MANUFACTURED EXCLUSIVELY BY THE STEEL NETWORK, INC. (TSN),
 US Patent #7,503,150
www.steelnetwork.com



Confidential: Piazza PZ-12-R-97



DRAWING NUMBER		REVISION
PZ-12-R-97		
DRAWN	CHECKED	
cbs	mjh	
SHEET	DATE	
	2/14/2020	

TITLE	PIAZZA PRODUCT DETAIL
CUSTOMER	PIAZZA STONEWORKS

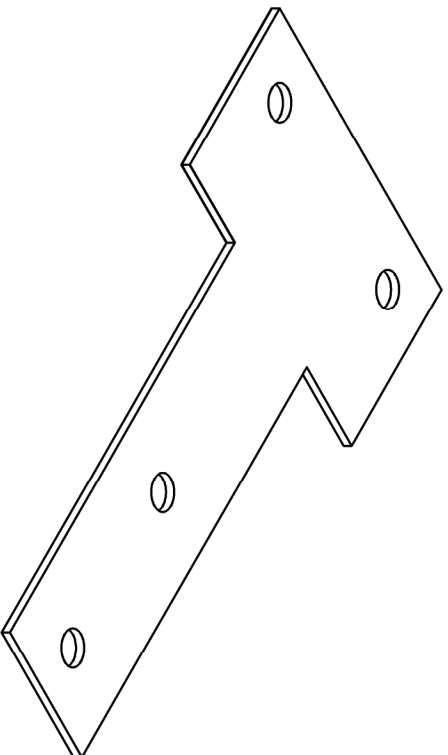
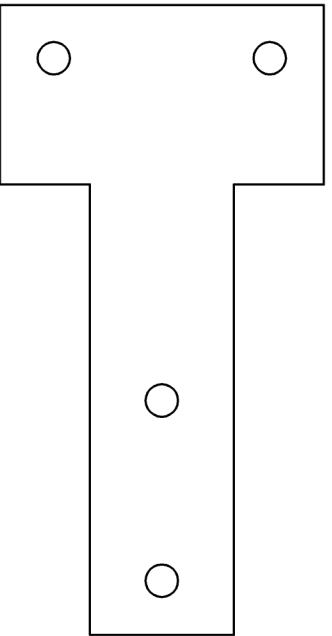
PROJECT	PIAZZA WEBSITE
SHEET TITLE	PIAZZA PZ-12-R-97

COPYRIGHT NOTICE
 COPYRIGHT IS RETAINED BY
 PIAZZA STONE LLC. FROM THE DATE OF
 PUBLICATION OF THESE DOCUMENTS OR
 THE WORK REPRESENTED BY THEM IS
 PROHIBITED WITHOUT THE EXPRESS
 WRITTEN CONSENT OF PIAZZA STONE LLC.

**PIAZZA TRACK AND PIAZZA CLIPS
 ARE MANUFACTURED
 EXCLUSIVELY BY
 THE STEEL NETWORK, INC. (TSN),
 US Patent #7,503,150
www.steelnetwork.com**



*Confidential: Piazza PZ-14-54
 54mil Min Thickness
 50ksi Min Yield Strength
 G90 Min Coating Weight*



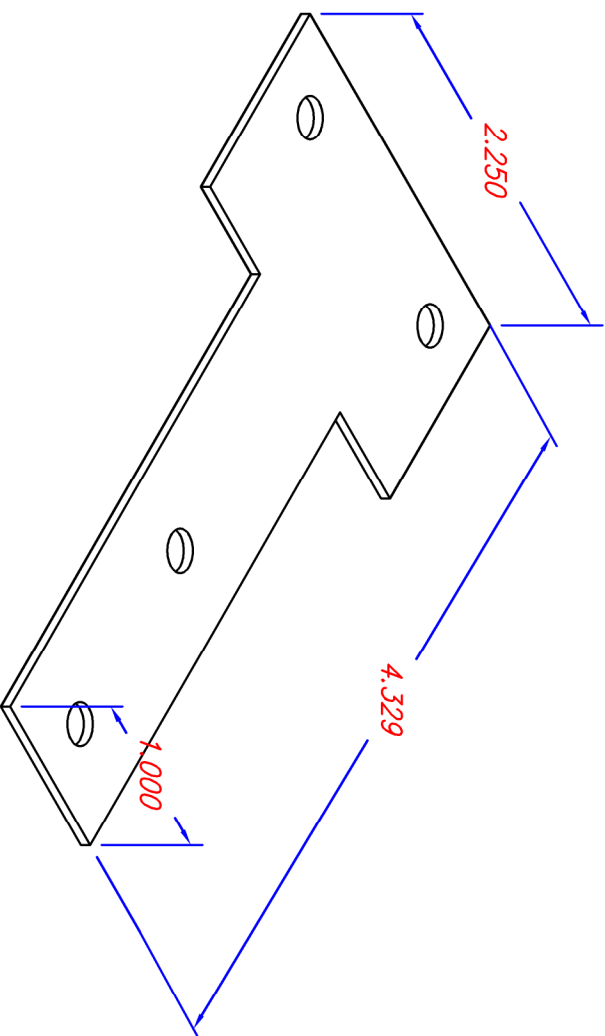
DRAWING NUMBER		REVISION	
PZ-14-54	CHECKED	Δ	
cb	mjh	Δ	
SHEET	DATE	Δ	
	2/14/2020	Δ	

TITLE
PIAZZA PRODUCT DETAIL
CUSTOMER
PIAZZA STONWORKS

PROJECT
PIAZZA PART w/ ISO
NO DIMS
SHEET TITLE
PIAZZA PZ-14-54

COPYRIGHT NOTICE
 COPYRIGHT IS RETAINED BY
 PIAZZA STONE LLC. FROM THE DATE OF
 PUBLICATION OF THESE DOCUMENTS OR
 THE WORK REPRESENTED BY THEM IS
 PROHIBITED WITHOUT THE EXPRESS
 WRITTEN CONSENT OF PIAZZA STONE LLC.

PIAZZA TRACK AND PIAZZA CLIPS
 ARE MANUFACTURED
 EXCLUSIVELY BY
 THE STEEL NETWORK, INC. (TSN),
 US Patent #7,503,150
www.steelnetwork.com



Confidential: Piazza PZ-14-54



DRAWING NUMBER		REVISION
PZ-14-54		
DRAWN	CHECKED	
cbs	mjh	
SHEET	DATE	
	2/14/2020	

TITLE	PIAZZA PRODUCT DETAIL
CUSTOMER	PIAZZA STONEWORKS

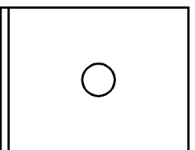
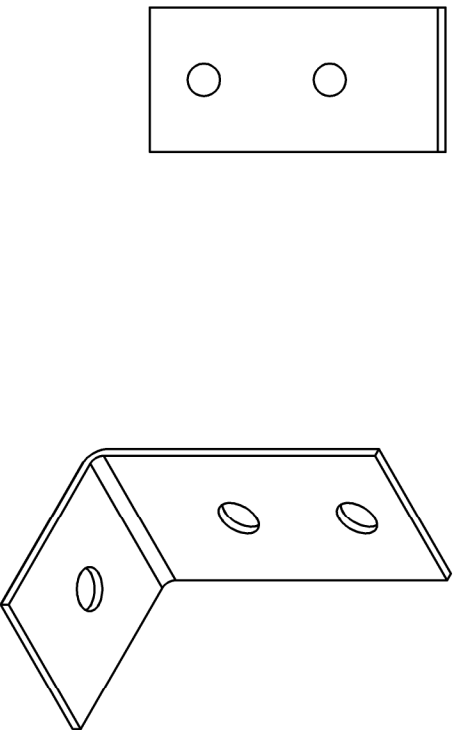
PROJECT	PIAZZA WEBSITE
SHEET TITLE	PIAZZA PZ-14-54

COPYRIGHT NOTICE
 COPYRIGHT IS RETAINED BY
 PIAZZA STONEWORKS, LLC. FROM THE DATE OF
 PUBLICATION OF THESE DOCUMENTS OR
 THE WORK REPRESENTED BY THEM IS
 PROHIBITED WITHOUT THE EXPRESS
 WRITTEN CONSENT OF PIAZZA STONE LLC.

**PIAZZA TRACK AND PIAZZA CLIPS
 ARE MANUFACTURED
 EXCLUSIVELY BY
 THE STEEL NETWORK, INC. (TSN),
 US Patent #7,503,150
www.steelnetwork.com**



*Confidential: Piazza PZ-16-54
 54mil Min Thickness
 50ksi Min Yield Strength
 G90 Min Coating Weight*



Note: PZ-16-54 Used as a Universal Clip



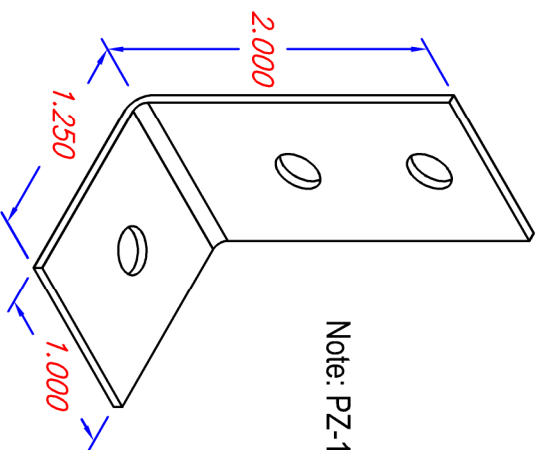
DRAWING NUMBER		PZ-16-54	
DRAWN	CHCKED		
cbs	mjh		
SHEET		DATE	2/14/2020
		REVISION	
		Δ	
		Δ	
		Δ	
		Δ	

TITLE	PIAZZA PRODUCT DETAIL
CUSTOMER	PIAZZA STONWORKS

PROJECT	PIAZZA PART w/ ISO
SHEET TITLE	NO DIMS PIAZZA PZ-16-54

COPYRIGHT NOTICE
 COPYRIGHT IS RETAINED BY
 PIAZZA STONE LLC. FROM THE DATE OF
 PUBLICATION OF THESE DOCUMENTS OR
 THE WORK REPRESENTED BY THEM IS
 PROHIBITED WITHOUT THE EXPRESS
 WRITTEN CONSENT OF PIAZZA STONE LLC.

PIAZZA TRACK AND PIAZZA CLIPS
 ARE MANUFACTURED
 EXCLUSIVELY BY
 THE STEEL NETWORK, INC. (TSN),
 US Patent #7,503,150
www.steelnetwork.com



Note: PZ-16-54 Used as a Universal Clip

Confidential: Piazza PZ-16-54



DRAWING NUMBER		REVISION
PZ-16-54	CHECKED	Δ
cb	mjh	Δ
SHEET	DATE	Δ
	2/14/2020	Δ

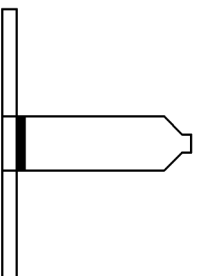
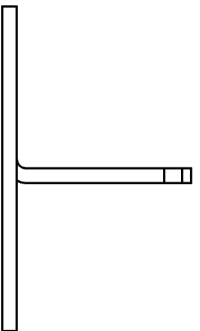
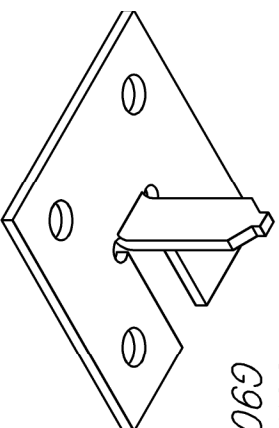
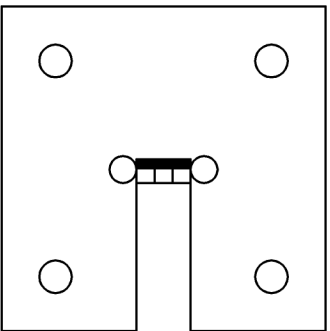
TITLE
PIAZZA PRODUCT DETAIL
CUSTOMER
PIAZZA STONEWORKS

PROJECT
PIAZZA WEBSITE
SHEET TITLE
PIAZZA PZ-16-54

COPYRIGHT NOTICE
 COPYRIGHT IS RETAINED BY
 PIAZZA STONE LLC. FROM THE DATE OF
 PUBLICATION OF THESE DOCUMENTS OR
 THE WORK REPRESENTED BY THEM IS
 PROHIBITED WITHOUT THE EXPRESS
 WRITTEN CONSENT OF PIAZZA STONE LLC.

**PIAZZA TRACK AND PIAZZA CLIPS
 ARE MANUFACTURED
 EXCLUSIVELY BY
 THE STEEL NETWORK, INC. (TSN),
 US Patent #7,503,150
www.steelnetwork.com**

Confidential: Piazza PZ-18-97
97mil Min Thickness
50ksi Min Yield Strength
G90 Min Coating Weight



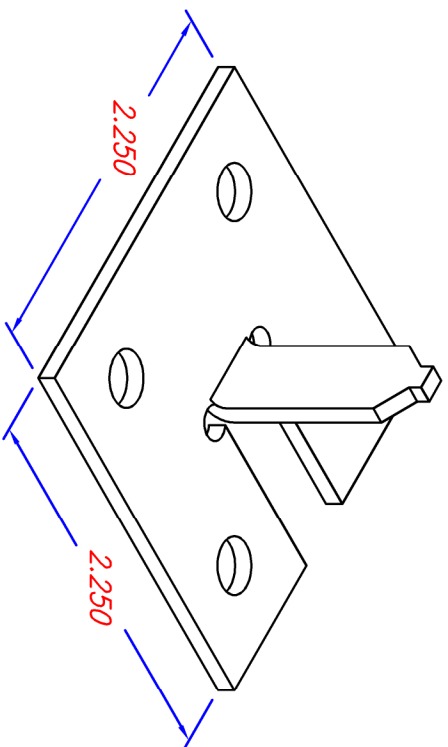
DRAWING NUMBER		REVISION
PZ-18-97		
DRAWN	CHECKED	
cbs	mjh	
SHEET	DATE	
	2/14/2020	

TITLE	PIAZZA PRODUCT DETAIL
CUSTOMER	PIAZZA STONWORKS

PROJECT	PIAZZA PART w/ ISO
SHEET TITLE	NO DIMS
	PIAZZA PZ-18-97

COPYRIGHT NOTICE
 COPYRIGHT IS RETAINED BY
 PIAZZA STONE LLC. FROM THE DATE OF
 PUBLICATION OF THESE DOCUMENTS OR
 THE WORK REPRESENTED BY THEM IS
 PROHIBITED WITHOUT THE EXPRESS
 WRITTEN CONSENT OF PIAZZA STONE LLC.

PIAZZA TRACK AND PIAZZA CLIPS
 ARE MANUFACTURED
 EXCLUSIVELY BY
 THE STEEL NETWORK, INC. (TSN),
 US Patent #7,503,150
www.steelnetwork.com



Confidential: Piazza PZ-18-97



DRAWING NUMBER		REVISION	
PZ-18-97	CHECKED	Δ	
cb	mjh	Δ	
DATE		Δ	
2/14/2020		Δ	

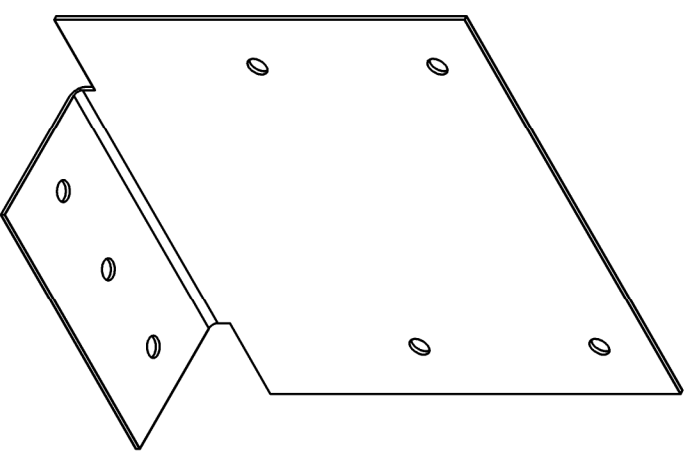
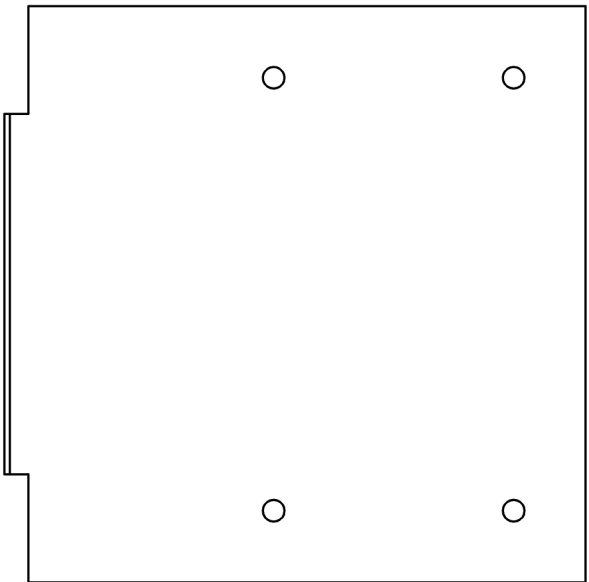
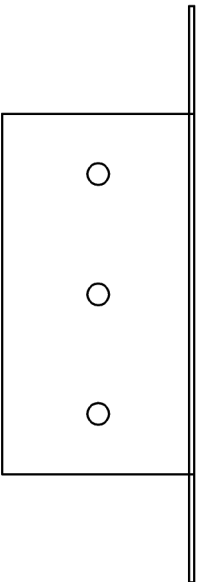
TITLE
PIAZZA PRODUCT DETAIL
CUSTOMER
PIAZZA STONWORKS

PROJECT
PIAZZA WEBSITE
SHEET TITLE
PIAZZA PZ-18-97

COPYRIGHT NOTICE
 COPYRIGHT IS RETAINED BY
 PIAZZA STONE LLC. FROM THE DATE OF
 PUBLICATION OF THESE DOCUMENTS OR
 THE WORK REPRESENTED BY THEM IS
 PROHIBITED WITHOUT THE EXPRESS
 WRITTEN CONSENT OF PIAZZA STONE LLC.

**PIAZZA TRACK AND PIAZZA CLIPS
 ARE MANUFACTURED
 EXCLUSIVELY BY
 THE STEEL NETWORK, INC. (TSN),
 US Patent #7,503,150
www.steelnetwork.com**

*Confidential: Piazza PZ-20-97
 97mil Min Thickness
 50ksi Min Yield Strength
 G90 Min Coating Weight*



DRAWING NUMBER		PZ-20-97	
DRAWN	CHECKED		
cbs	mjh		
SHEET		DATE	
		2/14/2020	
REVISION			
Δ			
Δ			
Δ			
Δ			

TITLE
 PIAZZA PRODUCT DETAIL
 CUSTOMER
 PIAZZA STONEWORKS

PROJECT
 PIAZZA PART w/ ISO
 NO DIMS
 SHEET TITLE
 PIAZZA PZ-20-97

COPYRIGHT NOTICE
 COPYRIGHT IS RETAINED BY
 PIAZZA STONE LLC. FROM THE DATE OF
 THIS DOCUMENT. NO REPRODUCTION OR
 DUPLICATION OF THESE DOCUMENTS OR
 THE WORK REPRESENTED BY THEM IS
 PROHIBITED WITHOUT THE EXPRESS
 WRITTEN CONSENT OF PIAZZA STONE LLC.

PIAZZA TRACK AND PIAZZA CLIPS
 ARE MANUFACTURED
 EXCLUSIVELY BY
 THE STEEL NETWORK, INC. (TSN),
 US Patent #7,503,150
www.steelnetwork.com



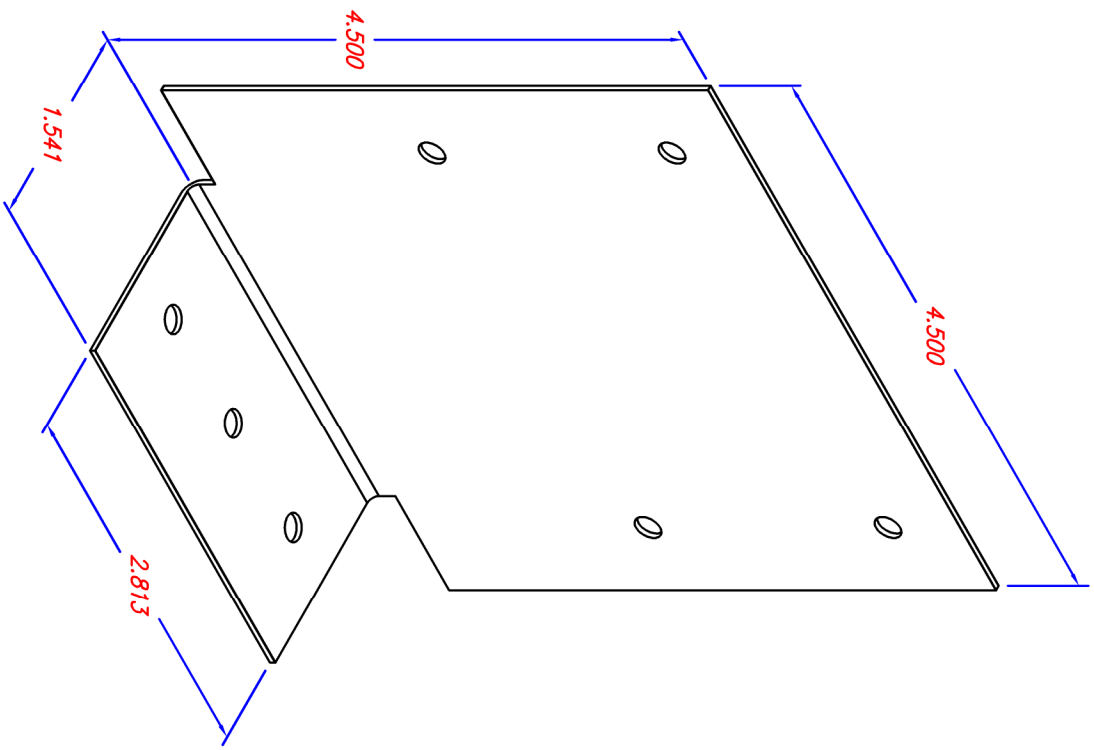
DRAWING NUMBER	PZ-20-97
DRAWN	cbs
CHECKED	mjh
DATE	2/14/2020
SHEET	
REVISION	

TITLE	PIAZZA PRODUCT DETAIL
CUSTOMER	PIAZZA STONEWORKS

PROJECT	PIAZZA WEBSITE
SHEET TITLE	PIAZZA PZ-20-97

COPYRIGHT NOTICE
PIAZZA STONE L.L.C., FROM THE DATE OF PUBLICATION OF THESE DOCUMENTS OR THE WORK REPRESENTED BY THEM IS PROHIBITED WITHOUT THE EXPRESS WRITTEN CONSENT OF PIAZZA STONE L.L.C.

PIAZZA TRACK AND PIAZZA CLIPS ARE MANUFACTURED EXCLUSIVELY BY THE STEEL NETWORK, INC. (TSN), US Patent #7,503,150
www.steelnetwork.com



Confidential: Piazza PZ-20-97