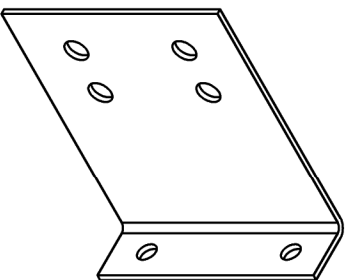
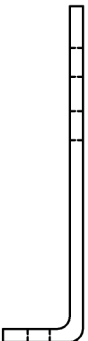
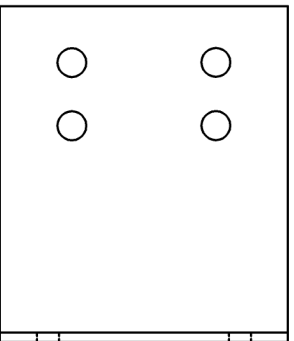
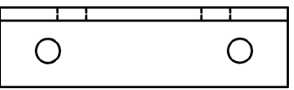


Confidential: Piazza PUC225-54
 54mil Min Thickness
 50ksi Min Yield
 G90 Min Coating Weight



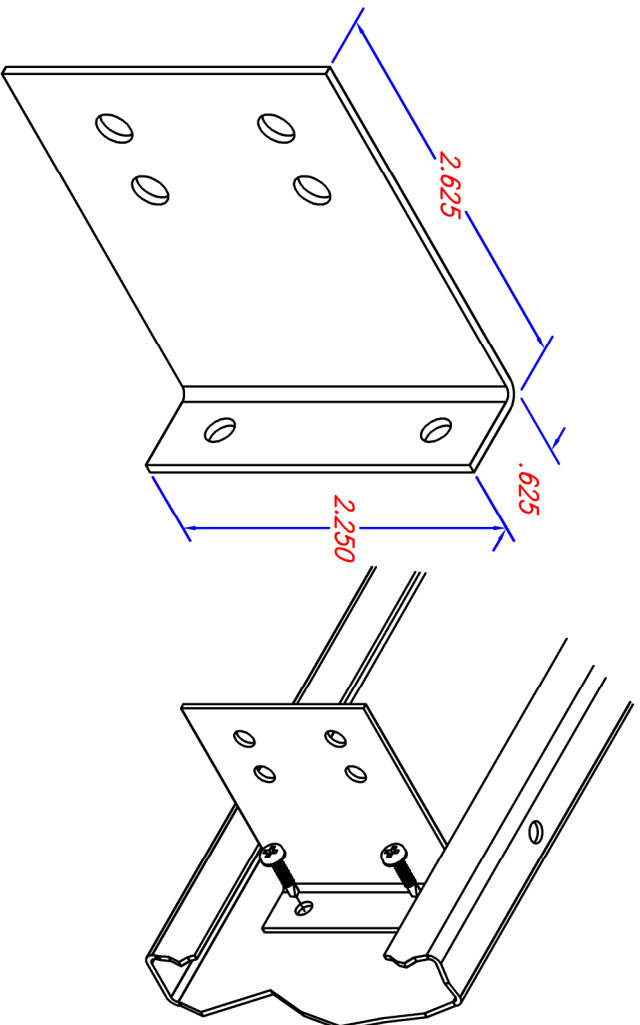
| DRAWING NUMBER | | REVISION | |
|----------------|-----------|----------|--|
| PUC225-54 | CHECKED | Δ | |
| cb | mjh | Δ | |
| SHEET | DATE | Δ | |
| | 2/14/2020 | Δ | |

| TITLE |
|-----------------------|
| PIAZZA PRODUCT DETAIL |
| CUSTOMER |
| PIAZZA STONEWORKS |

| PROJECT |
|-----------------------|
| PIAZZA PRODUCT W/ ISO |
| SHEET TITLE |
| PIAZZA PUC225-54 |

COPYRIGHT NOTICE
 COPYRIGHT IS RETAINED BY
 PIAZZA STONE LLC. FROM THE DATE OF
 PUBLICATION OF THESE DOCUMENTS OR
 THE WORK REPRESENTED BY THEM IS
 PROHIBITED WITHOUT THE EXPRESS
 WRITTEN CONSENT OF PIAZZA STONE LLC.

**PIAZZA TRACK AND PIAZZA CLIPS
 ARE MANUFACTURED
 EXCLUSIVELY BY
 THE STEEL NETWORK, INC. (TSN),
 US Patent #7,503,150
 www.steelnetwork.com**



Confidential: Piazza PUC225-54



| | | | |
|----------------|-----------|----------|--|
| DRAWING NUMBER | PUC225-54 | REVISION | |
| DRAWN | cbs | CHECKED | |
| SHEET | 2/14/2020 | DATE | |
| | | | |
| | | | |
| | | | |

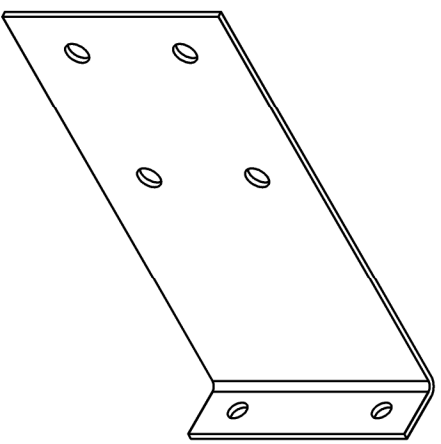
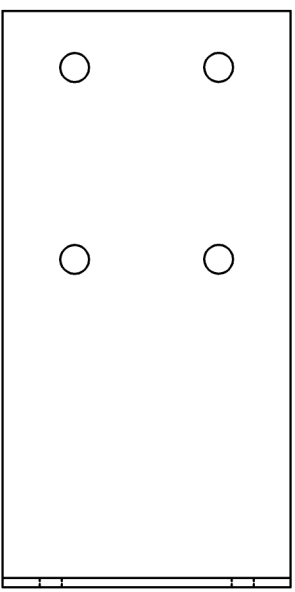
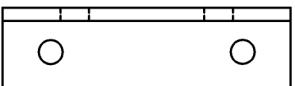
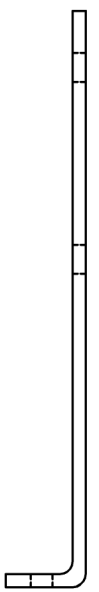
| | |
|----------|-----------------------|
| TITLE | PIAZZA PRODUCT DETAIL |
| CUSTOMER | PIAZZA STONEWORKS |

| | |
|-------------|------------------|
| PROJECT | PIAZZA WEBSITE |
| SHEET TITLE | PIAZZA PUC225-54 |

COPYRIGHT NOTICE
 COPYRIGHT IS RETAINED BY
 PIAZZA STONE L.L.C., FROM THE DATE OF
 PUBLICATION OF THESE DOCUMENTS OR
 THE WORK REPRESENTED BY THEM IS
 PROHIBITED WITHOUT THE EXPRESS
 WRITTEN CONSENT OF PIAZZA STONE L.L.C.

PIAZZA TRACK AND PIAZZA CLIPS
 ARE MANUFACTURED
 EXCLUSIVELY BY
 THE STEEL NETWORK, INC. (TSN),
 US Patent #7,503,150
www.steelnetwork.com

Confidential: Piazza PUC450-54
 54mil Min Thickness
 50ksi Min Yield
 G90 Min Coating Weight



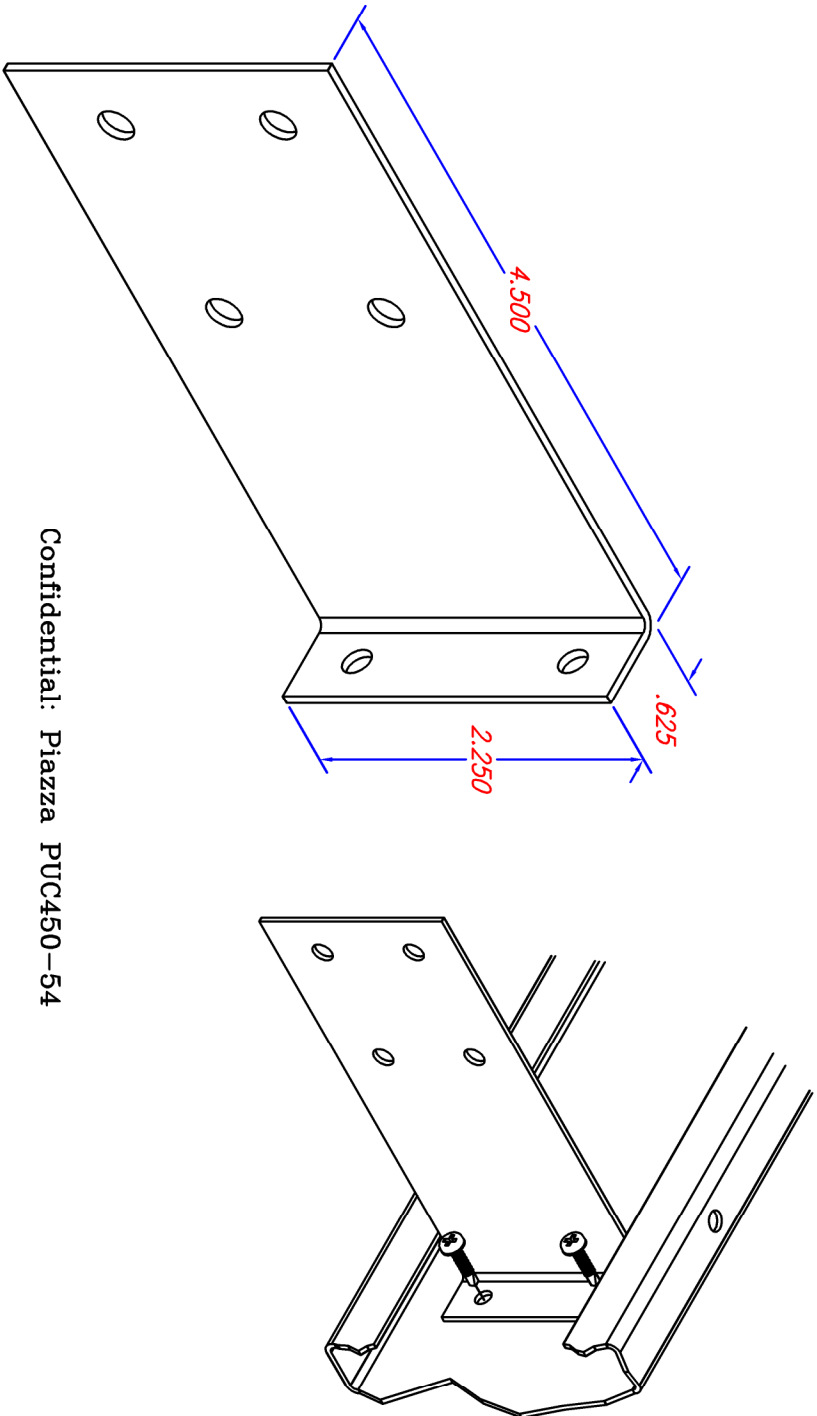
| | | | |
|----------------|-----------|-----------|--|
| DRAWING NUMBER | | PUC450-54 | |
| DRAWN | CHECKED | | |
| cbs | mjh | | |
| SHEET | DATE | | |
| | 2/14/2020 | | |
| REVISION | | | |
| | | | |
| | | | |
| | | | |

| | |
|----------|-----------------------|
| TITLE | PIAZZA PRODUCT DETAIL |
| CUSTOMER | PIAZZA STONEWORKS |

| | |
|-------------|-----------------------|
| PROJECT | PIAZZA PRODUCT W/ ISO |
| SHEET TITLE | PIAZZA PUC450-54 |

COPYRIGHT NOTICE
 COPYRIGHT IS RETAINED BY
 PIAZZA STONE LLC. FROM THE DATE OF
 PUBLICATION OF THESE DOCUMENTS OR
 THE WORK REPRESENTED BY THEM IS
 PROHIBITED WITHOUT THE EXPRESS
 WRITTEN CONSENT OF PIAZZA STONE LLC.

PIAZZA TRACK AND PIAZZA CLIPS
 ARE MANUFACTURED
 EXCLUSIVELY BY
 THE STEEL NETWORK, INC. (TSN),
 US Patent #7,503,150
www.steelnetwork.com



Confidential: Piazza PUC450-54



| | | | |
|----------------|-----------|-----------|--|
| DRAWING NUMBER | | PUC450-54 | |
| DRAWN | CHICKED | | |
| cbs | mjh | | |
| SHEET | DATE | | |
| | 2/14/2020 | | |
| REVISION | | | |
| | | | |
| | | | |
| | | | |
| | | | |

| | |
|----------|-----------------------|
| TITLE | PIAZZA PRODUCT DETAIL |
| CUSTOMER | PIAZZA STONEWORKS |

| | |
|-------------|------------------|
| PROJECT | PIAZZA WEBSITE |
| SHEET TITLE | PIAZZA PUC450-54 |

COPYRIGHT NOTICE
 COPYRIGHT IS RETAINED BY
 PIAZZA STONE L.L.C., FROM THE DATE OF
 PUBLICATION OF THESE DOCUMENTS OR
 THE WORK REPRESENTED BY THEM IS
 PROHIBITED WITHOUT THE EXPRESS
 WRITTEN CONSENT OF PIAZZA STONE L.L.C.

PIAZZA TRACK AND PIAZZA CLIPS
 ARE MANUFACTURED
 EXCLUSIVELY BY
 THE STEEL NETWORK, INC. (TSN),
 US Patent #7,503,150
www.steelnetwork.com

