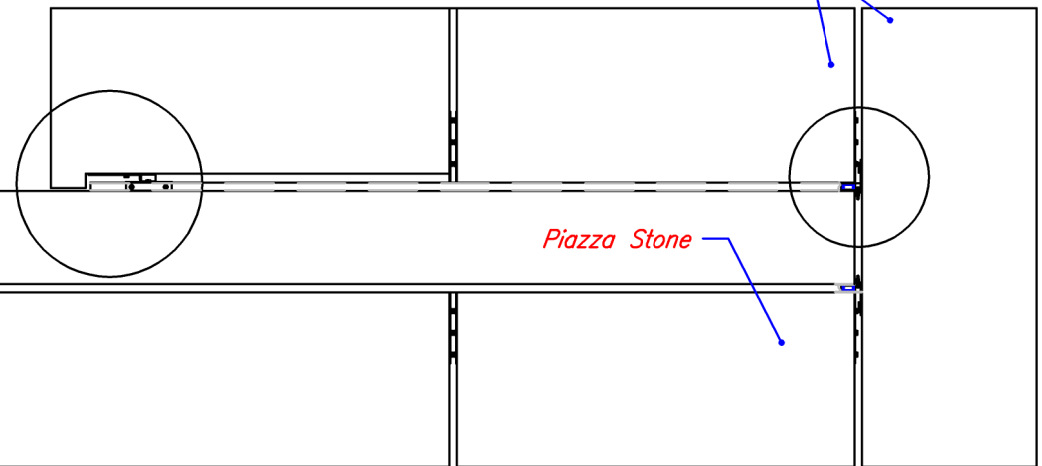
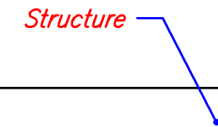
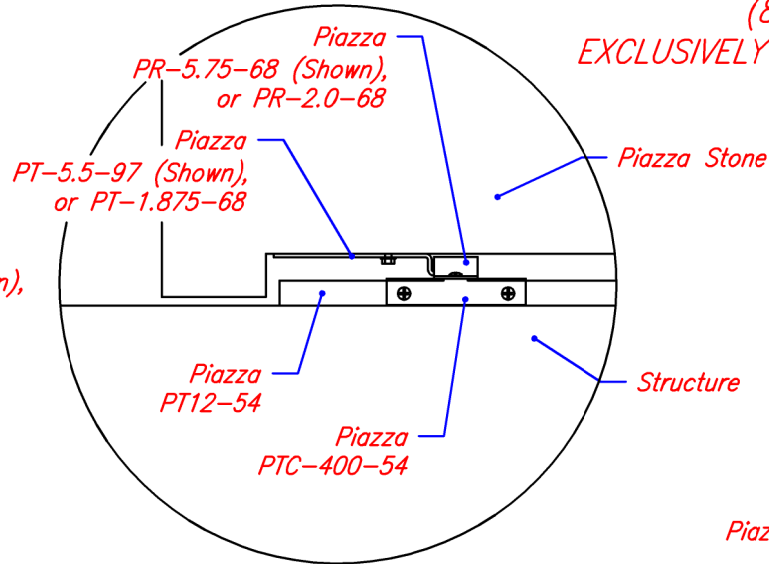
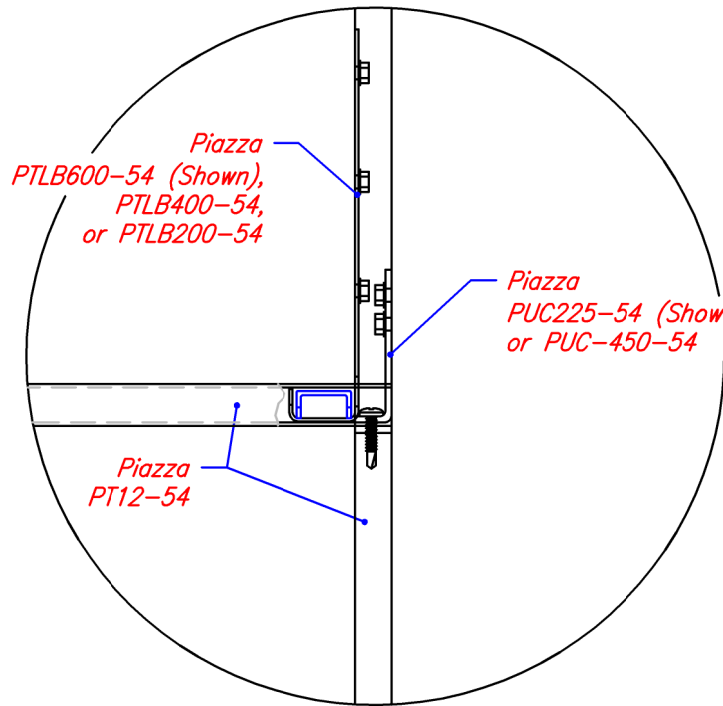


MIDWALL APPLICATION UTILIZING PIAZZA  
PT12-54  
MANUFACTURED BY  
The Steel Network, Inc.  
(888) 474-4876.  
EXCLUSIVELY FOR PIAZZA STONEWORKS



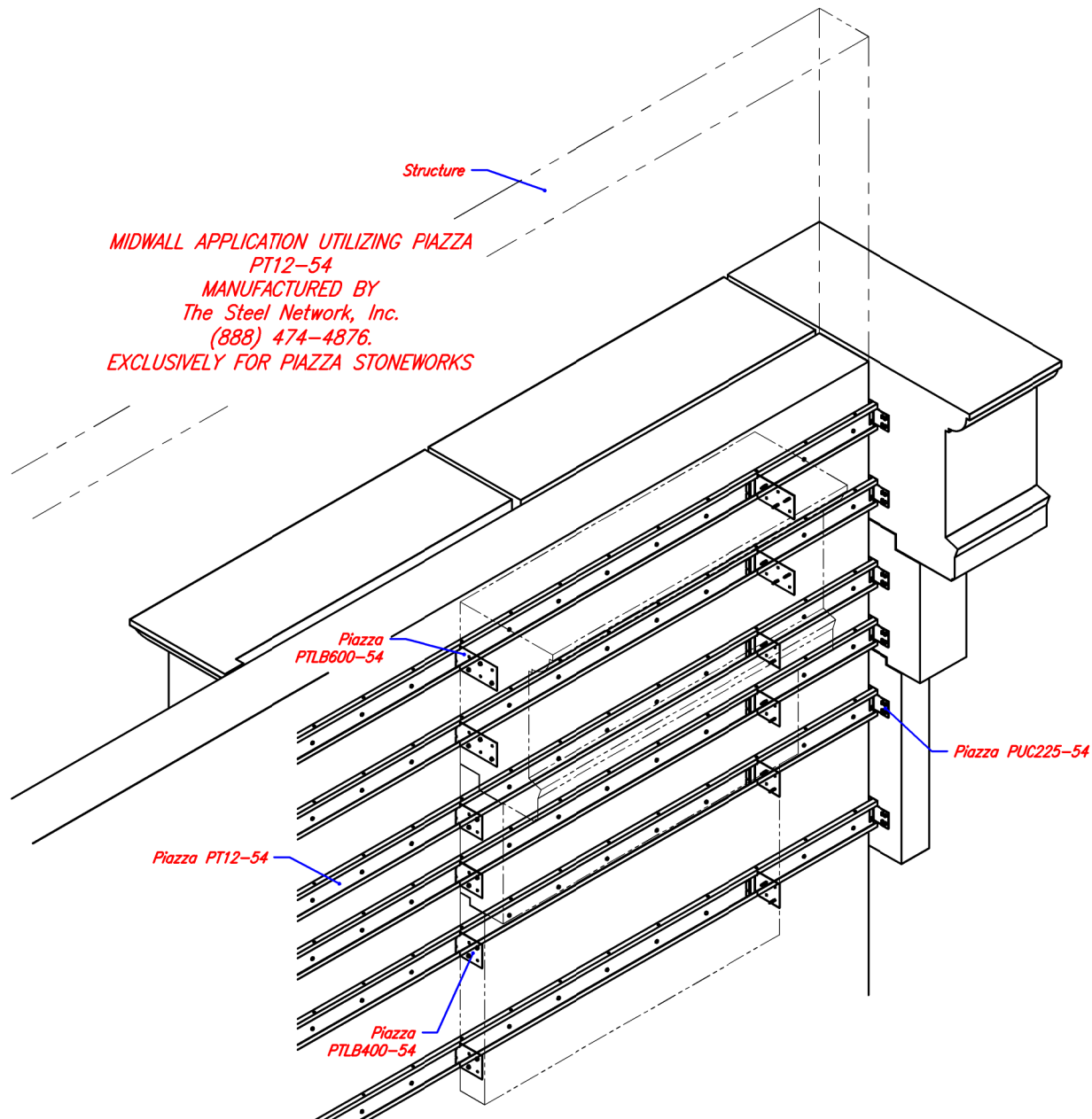
DRAWING NUMBER		REVISION	
DRAWN	CHECKED	△	
cbs	mjh	△	
SHEET	DATE	△	
	12/30/2020	△	

TITLE
PIAZZA PRODUCT APPLICATION
CUSTOMER
PIAZZA STONEWORKS

PROJECT
PIAZZA PRODUCTS
SHEET TITLE
MIDWALL APPLICATION PLANVIEW

**COPYRIGHT NOTICE**  
COPYRIGHT IS RETAINED BY  
PIAZZA STONE LLC., FROM THE DATE OF  
ISSUANCE OF THESE DOCUMENTS.  
DUPLICATION OF THESE DOCUMENTS OR  
THE WORK REPRESENTED BY THEM IS  
PROHIBITED WITHOUT THE EXPRESS  
WRITTEN CONSENT OF PIAZZA STONE LLC.

PIAZZA TRACK AND PIAZZA CLIPS  
ARE MANUFACTURED  
EXCLUSIVELY BY  
THE STEEL NETWORK, Inc. (TSN).  
US Patent #7,503,150  
[www.steelnetwork.com](http://www.steelnetwork.com)



MIDWALL APPLICATION UTILIZING PIAZZA  
PT12-54  
MANUFACTURED BY  
The Steel Network, Inc.  
(888) 474-4876.  
EXCLUSIVELY FOR PIAZZA STONEWORKS



DRAWING NUMBER		REVISION
DRAWN	CHECKED	▲
cbs	mjh	▲
SHEET	DATE	▲
	12/30/2020	▲

TITLE
PIAZZA PRODUCT APPLICATION
CUSTOMER
PIAZZA STONEWORKS

PROJECT
PIAZZA PRODUCTS
SHEET TITLE
MIDWALL APPLICATION

**COPYRIGHT NOTICE**  
COPYRIGHT IS RETAINED BY  
PIAZZA STONE LLC., FROM THE DATE OF  
ISSUANCE OF THESE DOCUMENTS.  
DUPLICATION OF THESE DOCUMENTS OR  
THE WORK REPRESENTED BY THEM IS  
PROHIBITED WITHOUT THE EXPRESS  
WRITTEN CONSENT OF PIAZZA STONE LLC.

PIAZZA TRACK AND PIAZZA CLIPS  
ARE MANUFACTURED  
EXCLUSIVELY BY  
THE STEEL NETWORK, Inc. (TSN).  
US Patent #7,503,150  
[www.steelnetwork.com](http://www.steelnetwork.com)