

DRAWING NUMBER		REVISION
DRAWN	CHECKED	▲
cbs	mjh	▲
SHEET	DATE	▲
	2/14/2020	▲

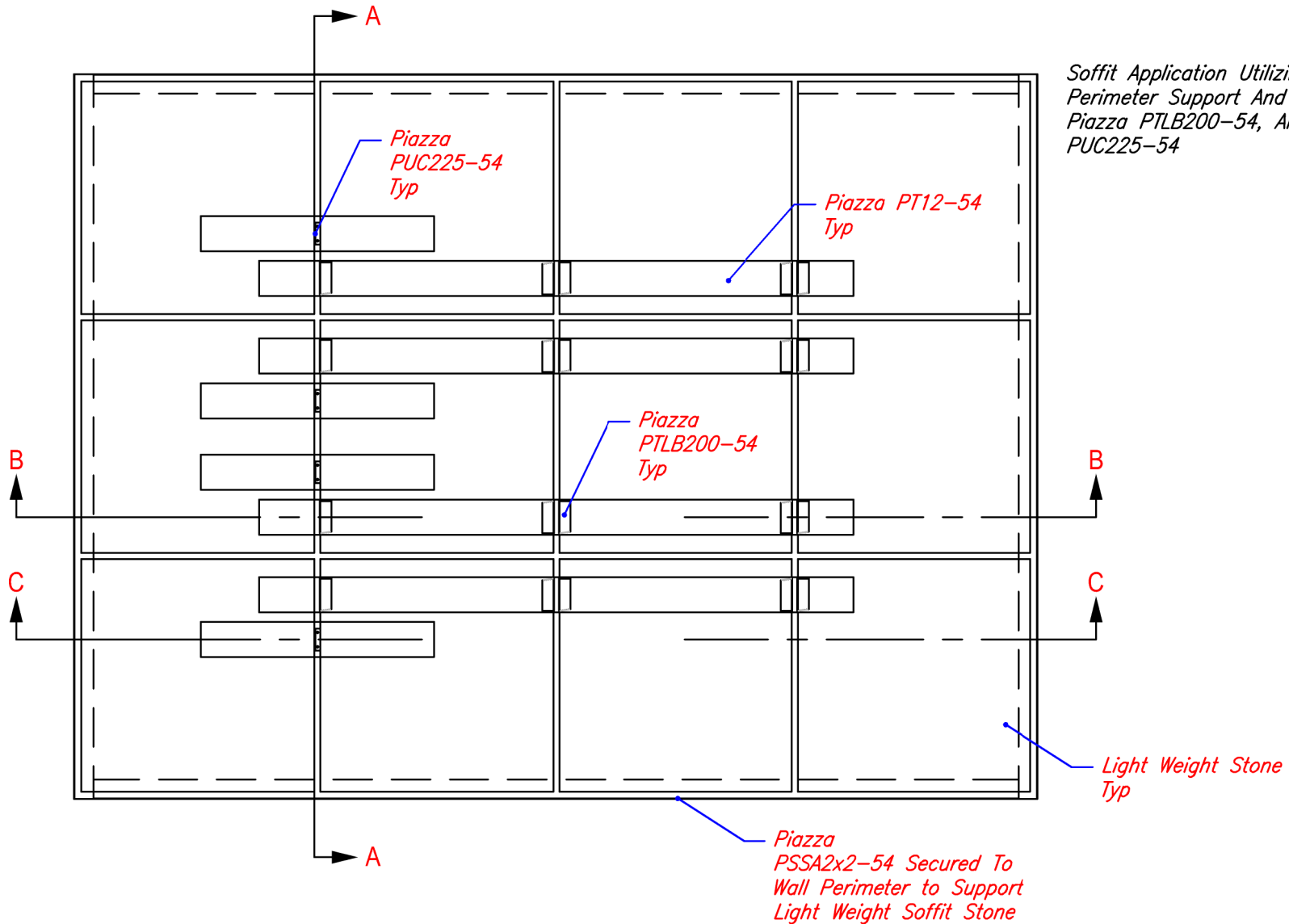
TITLE	PIAZZA PRODUCT APPLICATION
CUSTOMER	PIAZZA STONEWORKS

PROJECT	PIAZZA PRODUCTS
SHEET TITLE	PSSA2x2-54 APPLICATION

**COPYRIGHT NOTICE**  
 COPYRIGHT IS RETAINED BY  
 PIAZZA STONE LLC., FROM THE DATE OF  
 ISSUANCE OF THESE DOCUMENTS.  
 DUPLICATION OF THESE DOCUMENTS OR  
 THE WORK REPRESENTED BY THEM IS  
 PROHIBITED WITHOUT THE EXPRESS  
 WRITTEN CONSENT OF PIAZZA STONE LLC.

PIAZZA TRACK AND PIAZZA CLIPS  
 ARE MANUFACTURED  
 EXCLUSIVELY BY  
 THE STEEL NETWORK, Inc. (TSN).  
 US Patent #7,503,150  
[www.steelnetwork.com](http://www.steelnetwork.com)

*Soffit Application Utilizing PSSA2x2-54  
Perimeter Support And Piazza PT12-54,  
Piazza PTLB200-54, And Piazza  
PUC225-54*



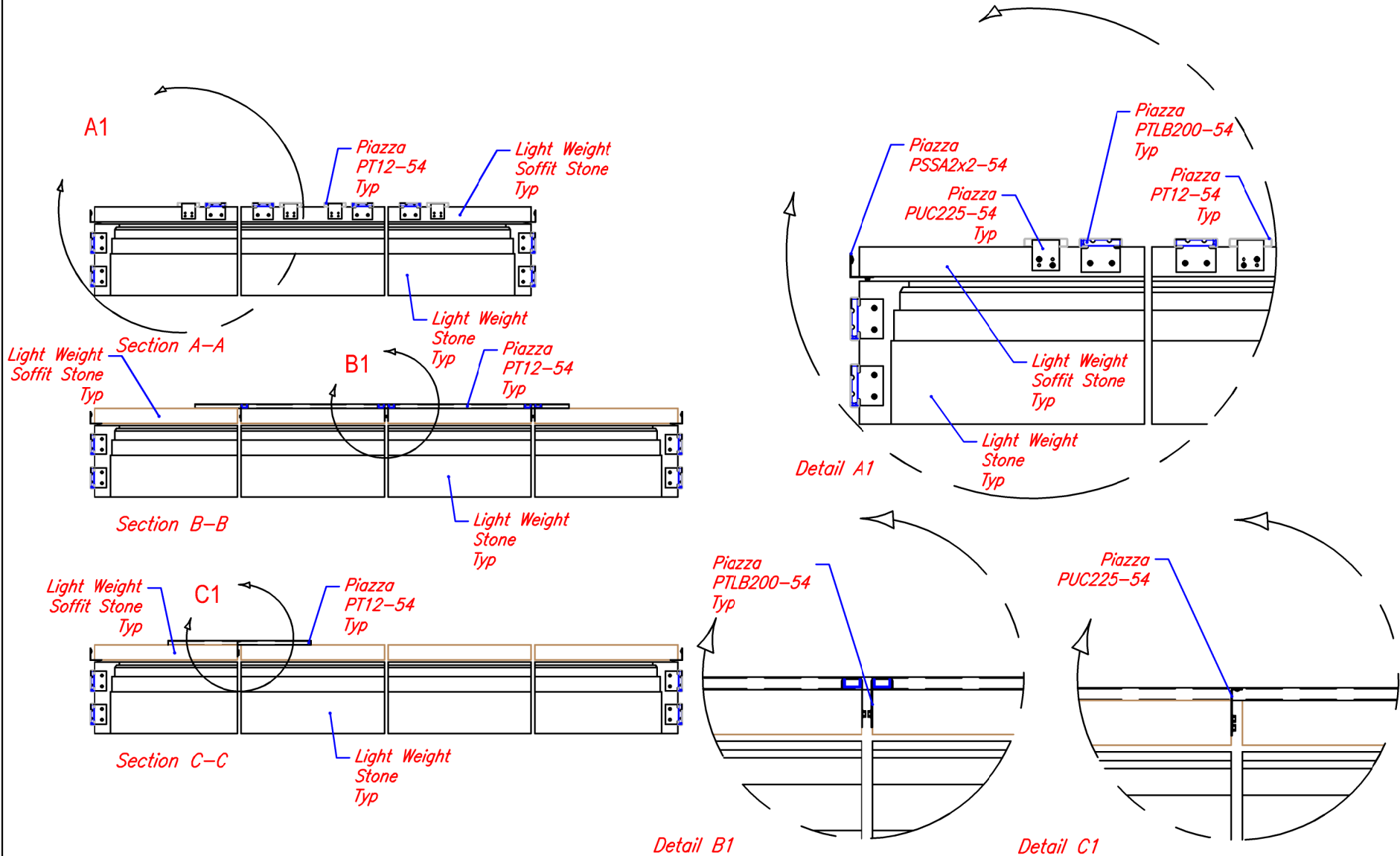
DRAWING NUMBER		REVISION
DRAWN	CHECKED	▲
cbs	mjh	▲
SHEET	DATE	▲
	2/14/2020	▲

TITLE
PIAZZA PRODUCT APPLICATION
CUSTOMER
PIAZZA STONEWORKS

PROJECT
PIAZZA PRODUCTS
SHEET TITLE
PSSA2x2-54 APPLICATION

**COPYRIGHT NOTICE**  
 COPYRIGHT IS RETAINED BY  
 PIAZZA STONE LLC., FROM THE DATE OF  
 ISSUANCE OF THESE DOCUMENTS.  
 DUPLICATION OF THESE DOCUMENTS OR  
 THE WORK REPRESENTED BY THEM IS  
 PROHIBITED WITHOUT THE EXPRESS  
 WRITTEN CONSENT OF PIAZZA STONE LLC.

PIAZZA TRACK AND PIAZZA CLIPS  
 ARE MANUFACTURED  
 EXCLUSIVELY BY  
 THE STEEL NETWORK, Inc. (TSN).  
 US Patent #7,503,150  
[www.steelnetwork.com](http://www.steelnetwork.com)



DRAWING NUMBER		REVISION	
DRAWN	CHECKED	▲	
cbs	mjh	▲	
SHEET	DATE	▲	
	2/14/2020	▲	

TITLE
PIAZZA PRODUCT APPLICATION
CUSTOMER
PIAZZA STONEWORKS

PROJECT
PIAZZA PRODUCTS
SHEET TITLE
PSSA2x2-54 APPLICATION

**COPYRIGHT NOTICE**  
 COPYRIGHT IS RETAINED BY  
 PIAZZA STONE LLC., FROM THE DATE OF  
 ISSUANCE OF THESE DOCUMENTS.  
 DUPLICATION OF THESE DOCUMENTS OR  
 THE WORK REPRESENTED BY THEM IS  
 PROHIBITED WITHOUT THE EXPRESS  
 WRITTEN CONSENT OF PIAZZA STONE LLC.

PIAZZA TRACK AND PIAZZA CLIPS  
 ARE MANUFACTURED  
 EXCLUSIVELY BY  
 THE STEEL NETWORK, Inc. (TSN).  
 US Patent #7,503,150  
[www.steelnetwork.com](http://www.steelnetwork.com)