

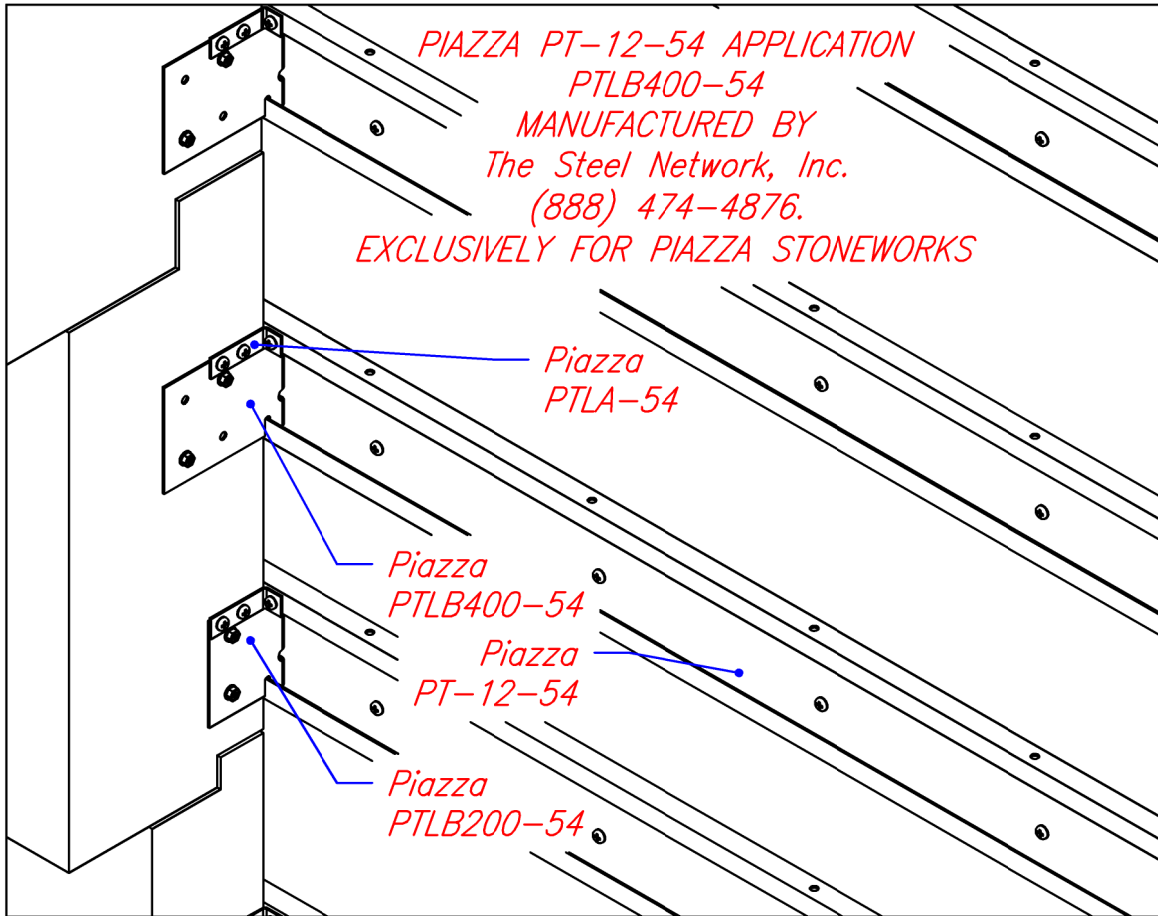
DRAWING NUMBER		REVISION
DRAWN	CHECKED	▲
cbs	mjh	▲
SHEET	DATE	▲
	2/14/2020	▲

TITLE
PIAZZA PRODUCT APPLICATION
CUSTOMER
PIAZZA STONEWORKS

PROJECT
PIAZZA PRODUCTS
SHEET TITLE
PTLB-200-54 APPLICATION

**COPYRIGHT NOTICE**  
 COPYRIGHT IS RETAINED BY  
 PIAZZA STONE LLC., FROM THE DATE OF  
 ISSUANCE OF THESE DOCUMENTS.  
 DUPLICATION OF THESE DOCUMENTS OR  
 THE WORK REPRESENTED BY THEM IS  
 PROHIBITED WITHOUT THE EXPRESS  
 WRITTEN CONSENT OF PIAZZA STONE LLC.

PIAZZA TRACK AND PIAZZA CLIPS  
 ARE MANUFACTURED  
 EXCLUSIVELY BY  
 THE STEEL NETWORK, Inc. (TSN).  
 US Patent #7,503,150  
[www.steelnetwork.com](http://www.steelnetwork.com)



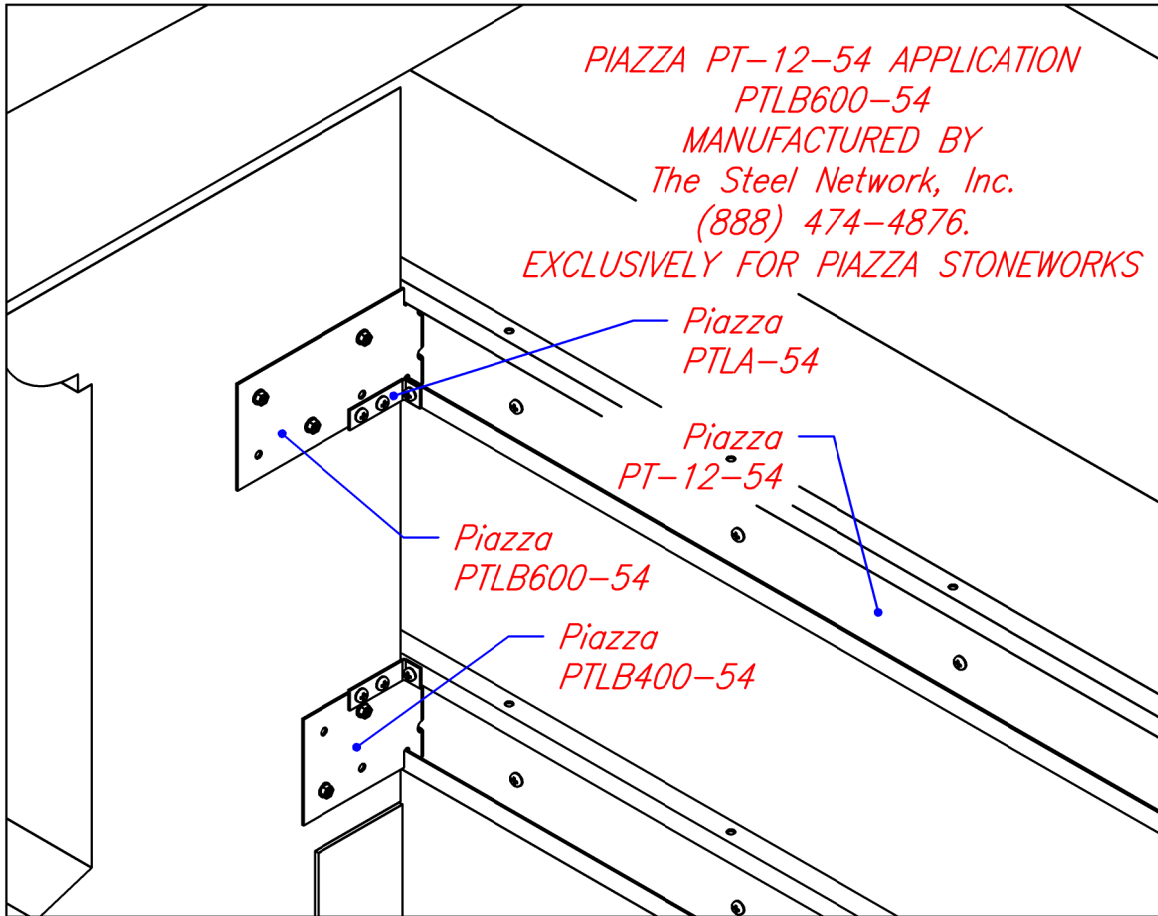
DRAWING NUMBER		REVISION
DRAWN	CHECKED	▲
cbs	mjh	▲
SHEET	DATE	▲
	2/14/2020	▲

TITLE
PIAZZA PRODUCT APPLICATION
CUSTOMER
PIAZZA STONEWORKS

PROJECT
PIAZZA PRODUCTS
SHEET TITLE
PTLB400-54 APPLICATION

**COPYRIGHT NOTICE**  
 COPYRIGHT IS RETAINED BY  
 PIAZZA STONE LLC., FROM THE DATE OF  
 ISSUANCE OF THESE DOCUMENTS.  
 DUPLICATION OF THESE DOCUMENTS OR  
 THE WORK REPRESENTED BY THEM IS  
 PROHIBITED WITHOUT THE EXPRESS  
 WRITTEN CONSENT OF PIAZZA STONE LLC.

PIAZZA TRACK AND PIAZZA CLIPS  
 ARE MANUFACTURED  
 EXCLUSIVELY BY  
 THE STEEL NETWORK, Inc. (TSN).  
 US Patent #7,503,150  
[www.steelnetwork.com](http://www.steelnetwork.com)



DRAWING NUMBER		REVISION
DRAWN	CHECKED	▲
cbs	mjh	▲
SHEET	DATE	▲
	2/14/2020	▲

TITLE
PIAZZA PRODUCT APPLICATION
CUSTOMER
PIAZZA STONEWORKS

PROJECT
PIAZZA PRODUCTS
SHEET TITLE
PTLB600-54 APPLICATION

**COPYRIGHT NOTICE**  
 COPYRIGHT IS RETAINED BY PIAZZA STONE LLC., FROM THE DATE OF ISSUANCE OF THESE DOCUMENTS. DUPLICATION OF THESE DOCUMENTS OR THE WORK REPRESENTED BY THEM IS PROHIBITED WITHOUT THE EXPRESS WRITTEN CONSENT OF PIAZZA STONE LLC.

PIAZZA TRACK AND PIAZZA CLIPS ARE MANUFACTURED EXCLUSIVELY BY THE STEEL NETWORK, Inc. (TSN).  
 US Patent #7,503,150  
[www.steelnetwork.com](http://www.steelnetwork.com)