

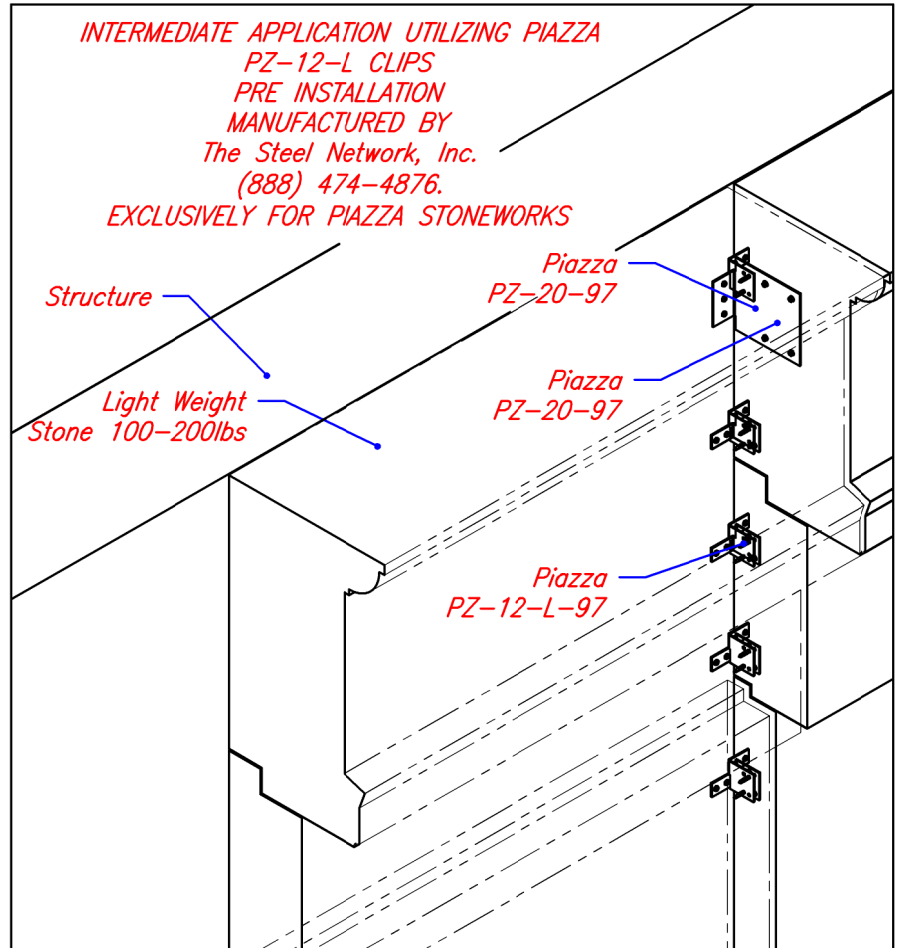
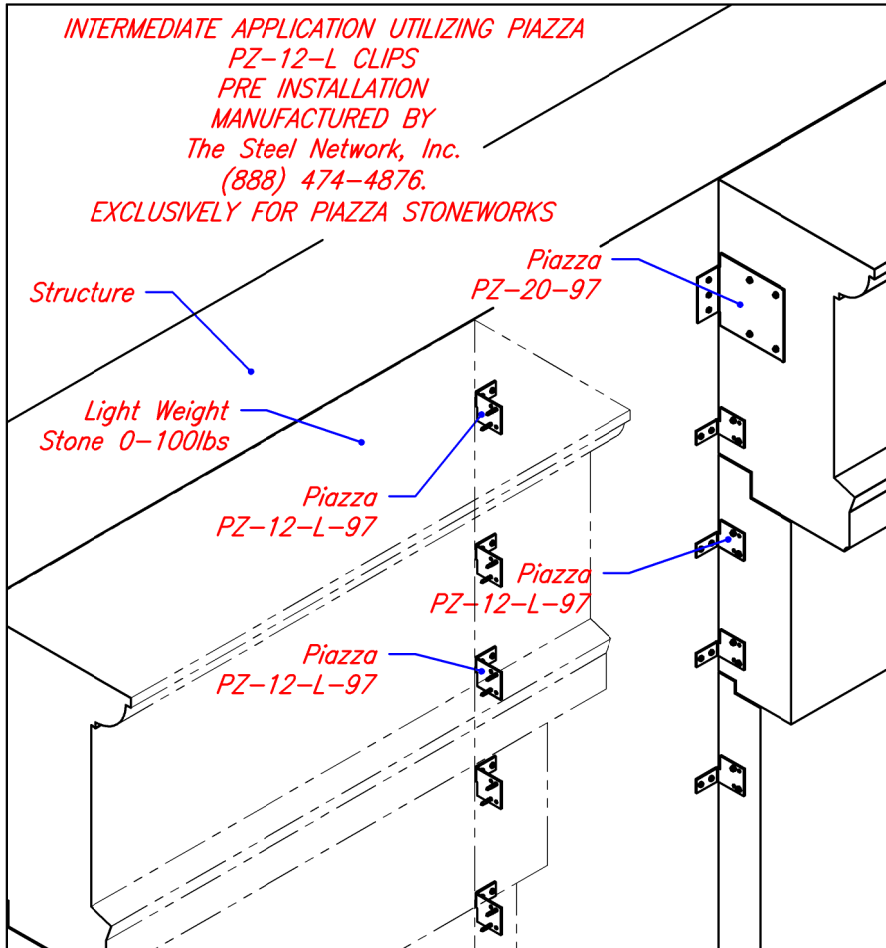
DRAWING NUMBER		REVISION
DRAWN	CHECKED	▲
cbs	mjh	▲
SHEET	DATE	▲
	2/14/2020	▲

TITLE
PIAZZA PRODUCT APPLICATION
CUSTOMER
PIAZZA STONEWORKS

PROJECT
PIAZZA PRODUCTS
SHEET TITLE
PZ-10-54 APPLICATION

**COPYRIGHT NOTICE**  
 COPYRIGHT IS RETAINED BY  
 PIAZZA STONE LLC., FROM THE DATE OF  
 ISSUANCE OF THESE DOCUMENTS.  
 DUPLICATION OF THESE DOCUMENTS OR  
 THE WORK REPRESENTED BY THEM IS  
 PROHIBITED WITHOUT THE EXPRESS  
 WRITTEN CONSENT OF PIAZZA STONE LLC.

PIAZZA TRACK AND PIAZZA CLIPS  
 ARE MANUFACTURED  
 EXCLUSIVELY BY  
 THE STEEL NETWORK, Inc. (TSN).  
 US Patent #7,503,150  
[www.steelnetwork.com](http://www.steelnetwork.com)



DRAWING NUMBER		REVISION
DRAWN	CHECKED	▲
cbs		▲
SHEET	DATE	▲
	1/16/2020	▲

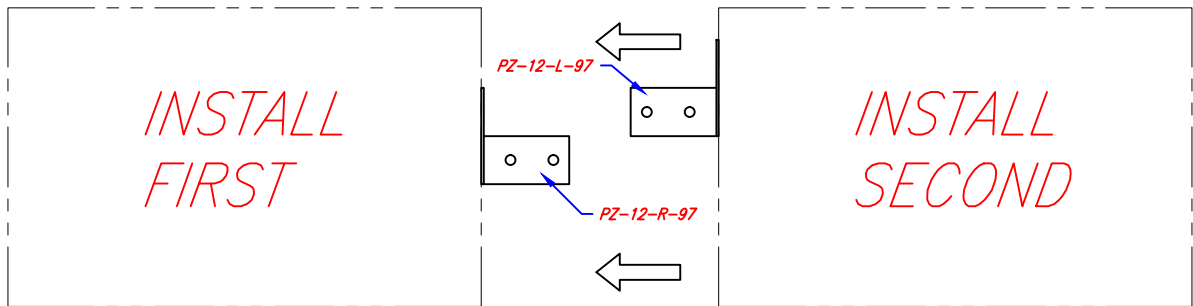
TITLE	PIAZZA PRODUCT APPLICATION
CUSTOMER	PIAZZA STONEWORKS

PROJECT	PIAZZA PRODUCTS
SHEET TITLE	PZ-12-L-97/ PZ-20-97 APPLICATION

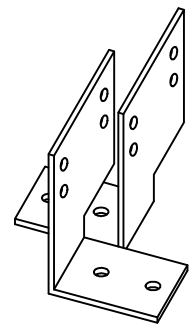
COPYRIGHT NOTICE  
COPYRIGHT IS RETAINED BY  
PIAZZA STONE LLC., FROM THE DATE OF  
ISSUANCE OF THESE DOCUMENTS.  
DUPLICATION OF THESE DOCUMENTS OR  
THE WORK REPRESENTED BY THEM IS  
PROHIBITED WITHOUT THE EXPRESS  
WRITTEN CONSENT OF PIAZZA STONE LLC.

PIAZZA TRACK AND PIAZZA CLIPS  
ARE MANUFACTURED  
EXCLUSIVELY BY  
THE STEEL NETWORK, Inc. (TSN).  
US Patent #7,503,150  
[www.steelnetwork.com](http://www.steelnetwork.com)

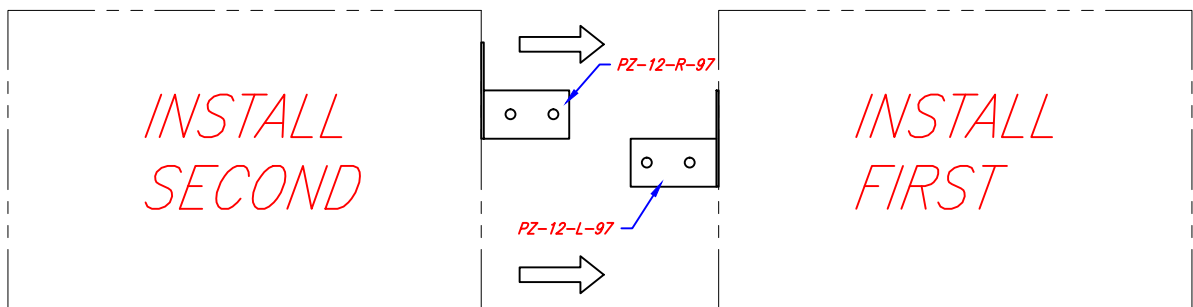
WHEN INSTALLING LEFT TO RIGHT OPTIONAL METHOD  
 WHEN STONE GAP LESS THAN  $\frac{5}{8}$ " IS REQUIRED  
 USE PIAZZA PZ-12-R-97 WITH PZ-12-L-97



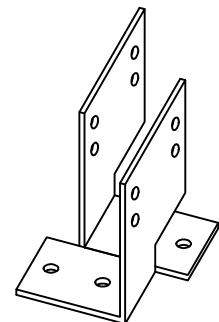
- 1) ATTACH CLIP ON TRAILING SIDE OF FIRST PIECE TO BLOCKING, MASONRY, ETC..
- 2) CLIP ON LEADING SIDE OF SECOND PIECE TO BE SLID BEHIND FIRST PIECE FOR A FRICTION FIT.
- 3) CLIPS TO BE POSITIONED SO THAT CLIP ON LEADING PIECE SUPPORTS THE DEAD LOAD OF CLIP ON TRAILING PIECE.



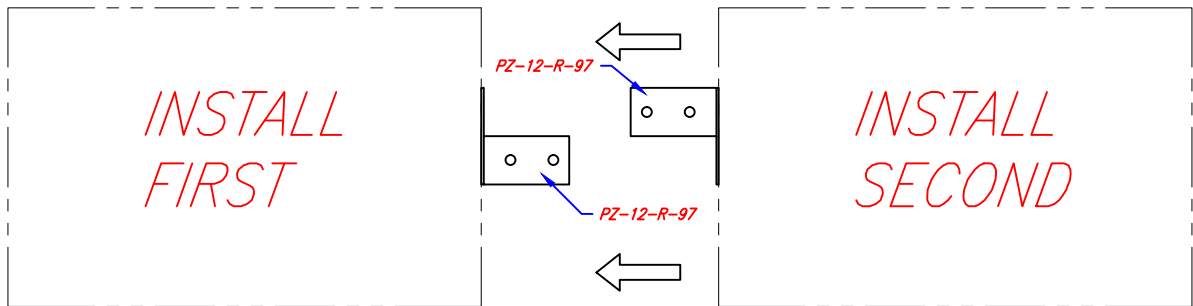
WHEN INSTALLING RIGHT TO LEFT OPTIONAL METHOD  
 WHEN STONE GAP LESS THAN  $\frac{5}{8}$ " IS REQUIRED  
 USE PIAZZA PZ-12-L-97 WITH PIAZZA PZ-12-R-97



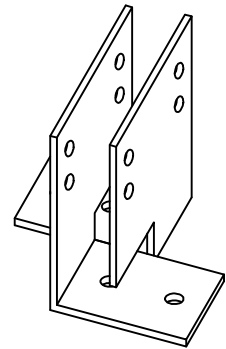
- 1) ATTACH CLIP ON TRAILING SIDE OF FIRST PIECE TO BLOCKING, MASONRY, ETC..
- 2) CLIP ON LEADING SIDE OF SECOND PIECE TO BE SLID BEHIND FIRST PIECE FOR A FRICTION FIT.
- 3) CLIPS TO BE POSITIONED SO THAT CLIP ON LEADING PIECE SUPPORTS THE DEAD LOAD OF CLIP ON TRAILING PIECE.



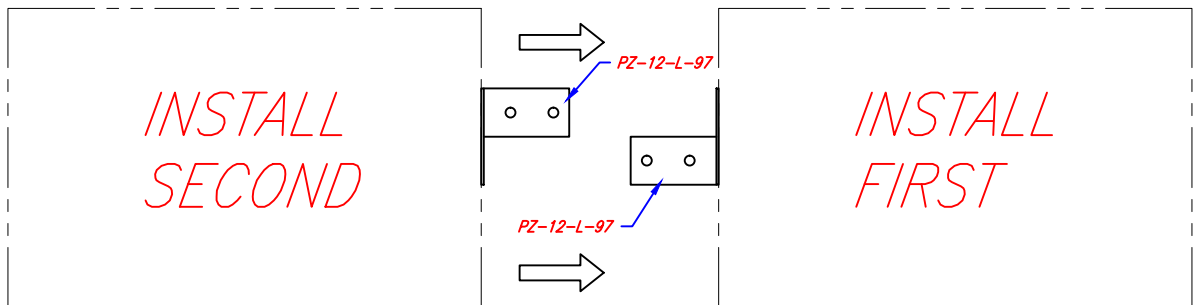
*WHEN INSTALLING LEFT TO RIGHT, USE PIAZZA PZ-12-R-97  
WHEN STONE GAP LESS THAN  $\frac{5}{8}$ " IS NOT REQUIRED*



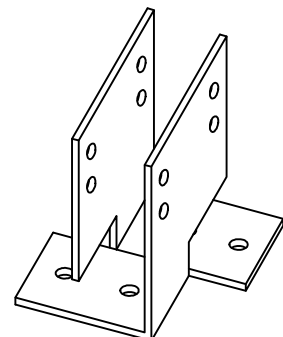
- 1) ATTACH CLIP ON TRAILING SIDE OF FIRST PIECE TO BLOCKING, MASONRY, ETC..
- 2) CLIP ON LEADING SIDE OF SECOND PIECE TO BE SLID BEHIND FIRST PIECE FOR A FRICTION FIT.
- 3) CLIPS TO BE POSITIONED SO THAT CLIP ON LEADING PIECE SUPPORTS THE DEAD LOAD OF CLIP ON TRAILING PIECE.



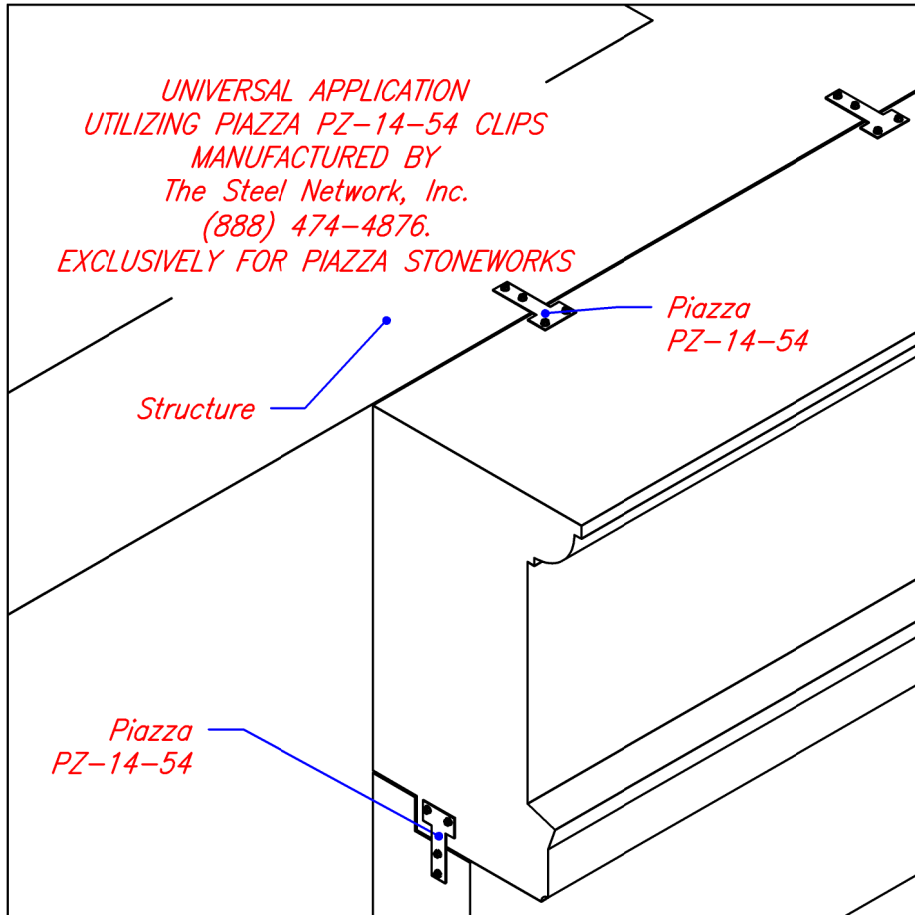
*WHEN INSTALLING RIGHT TO LEFT, USE PIAZZA PZ-12-L-97  
WHEN STONE GAP LESS THAN  $\frac{5}{8}$ " IS NOT REQUIRED*



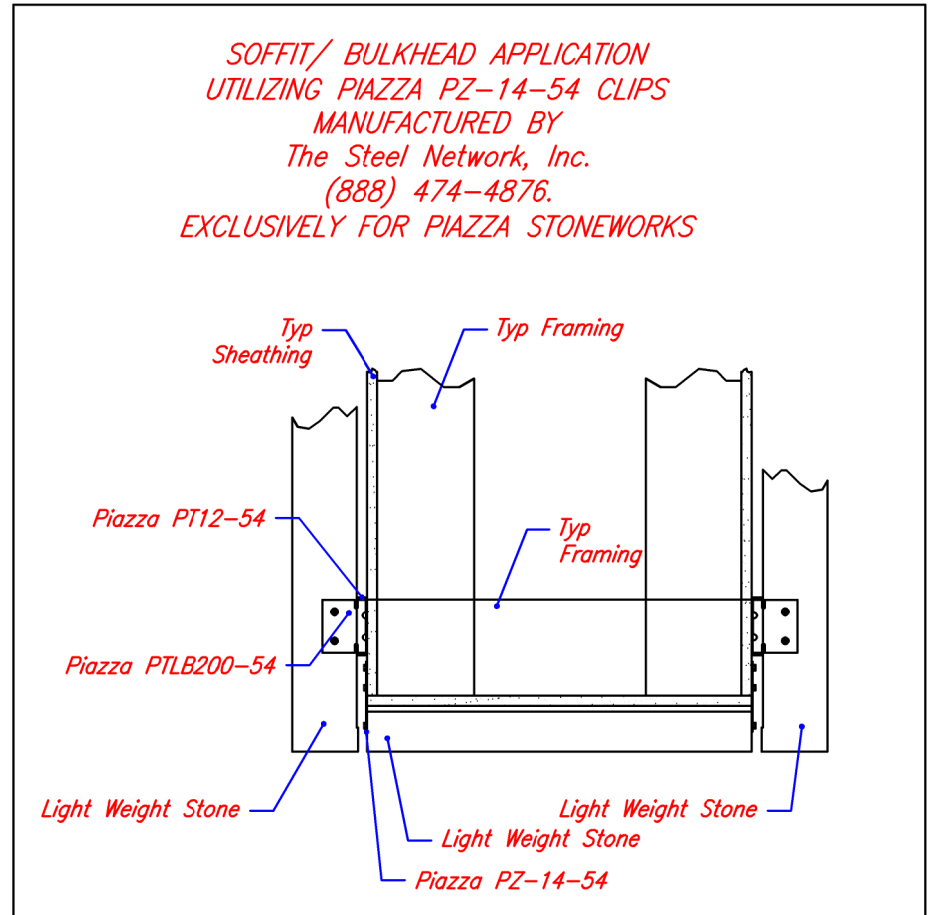
- 1) ATTACH CLIP ON TRAILING SIDE OF FIRST PIECE TO BLOCKING, MASONRY, ETC..
- 2) CLIP ON LEADING SIDE OF SECOND PIECE TO BE SLID BEHIND FIRST PIECE FOR A FRICTION FIT.
- 3) CLIPS TO BE POSITIONED SO THAT CLIP ON LEADING PIECE SUPPORTS THE DEAD LOAD OF CLIP ON TRAILING PIECE.



UNIVERSAL APPLICATION  
 UTILIZING PIAZZA PZ-14-54 CLIPS  
 MANUFACTURED BY  
 The Steel Network, Inc.  
 (888) 474-4876.  
 EXCLUSIVELY FOR PIAZZA STONEWORKS



SOFFIT/ BULKHEAD APPLICATION  
 UTILIZING PIAZZA PZ-14-54 CLIPS  
 MANUFACTURED BY  
 The Steel Network, Inc.  
 (888) 474-4876.  
 EXCLUSIVELY FOR PIAZZA STONEWORKS



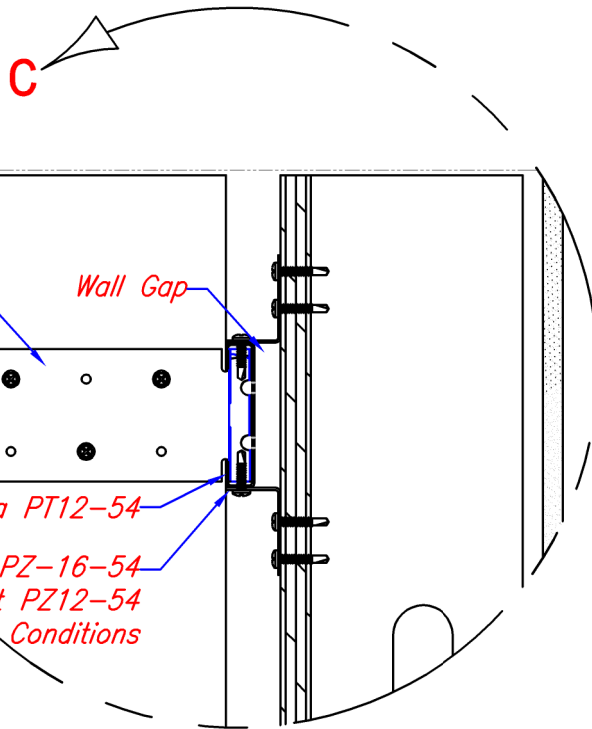
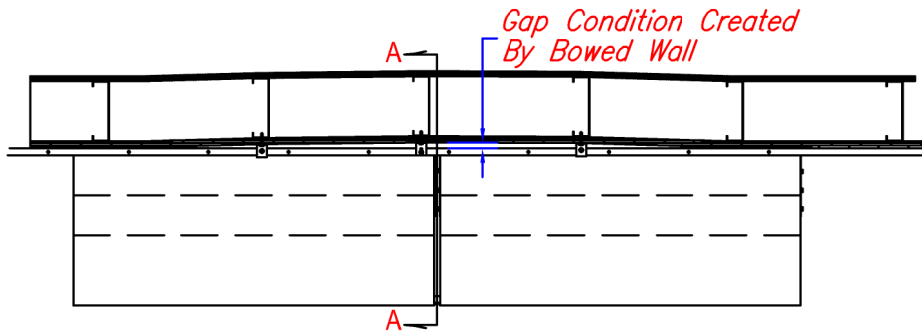
DRAWING NUMBER		REVISION
DRAWN	CHECKED	▲
cbs	mjh	▲
SHEET	DATE	▲
	2/14/2020	▲

TITLE	PIAZZA PRODUCT APPLICATION
CUSTOMER	PIAZZA STONEWORKS

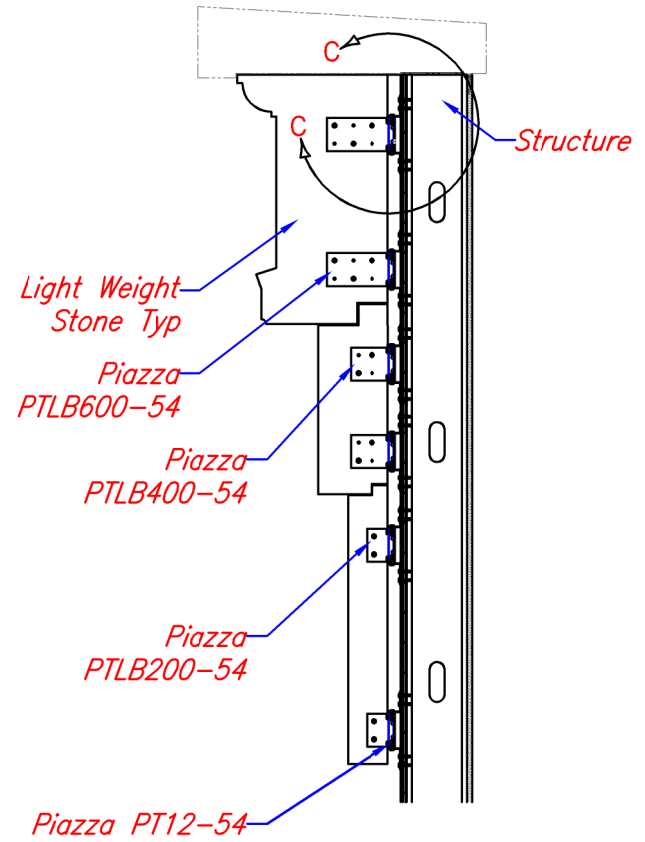
PROJECT	PIAZZA PRODUCTS
SHEET TITLE	PZ-14-54 APPLICATION

COPYRIGHT NOTICE  
 COPYRIGHT IS RETAINED BY  
 PIAZZA STONE LLC., FROM THE DATE OF  
 ISSUANCE OF THESE DOCUMENTS.  
 DUPLICATION OF THESE DOCUMENTS OR  
 THE WORK REPRESENTED BY THEM IS  
 PROHIBITED WITHOUT THE EXPRESS  
 WRITTEN CONSENT OF PIAZZA STONE LLC.

PIAZZA TRACK AND PIAZZA CLIPS  
 ARE MANUFACTURED  
 EXCLUSIVELY BY  
 THE STEEL NETWORK, Inc. (TSN).  
 US Patent #7,503,150  
[www.steelnetwork.com](http://www.steelnetwork.com)



Detail C-C



Section A-A



DRAWING NUMBER		REVISION	
DRAWN	CHECKED	▲	
cbs	mjh	▲	
SHEET	DATE	▲	
	2/14/2020	▲	

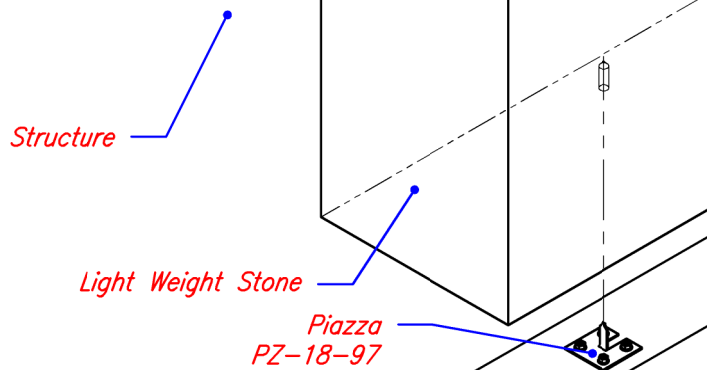
TITLE	PIAZZA PRODUCT APPLICATION
CUSTOMER	PIAZZA STONEWORKS

PROJECT	PIAZZA PRODUCTS
SHEET TITLE	PZ-16-54 BOWED WALL APPLICATION

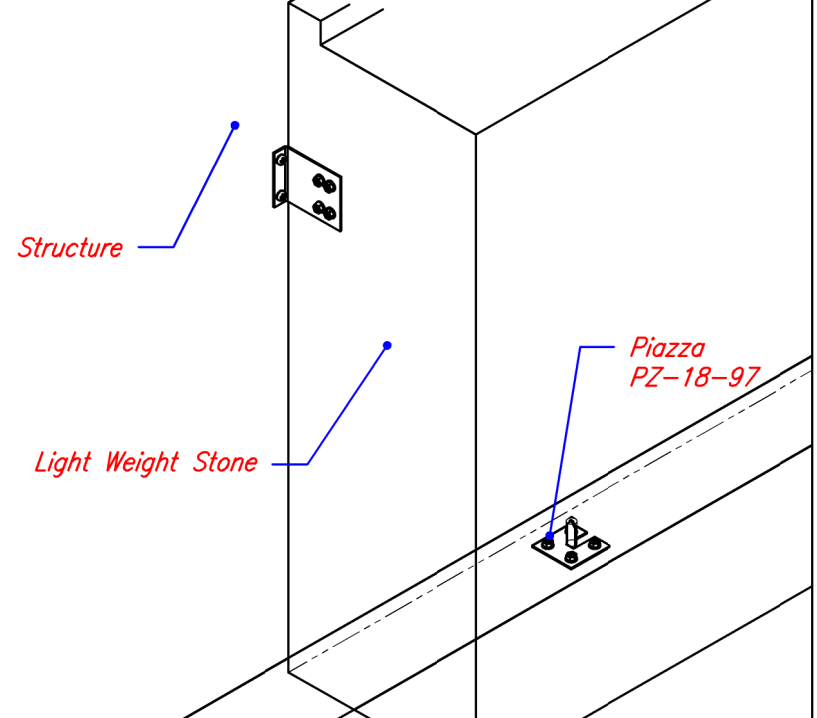
**COPYRIGHT NOTICE**  
 COPYRIGHT IS RETAINED BY  
 PIAZZA STONE LLC., FROM THE DATE OF  
 ISSUANCE OF THESE DOCUMENTS.  
 DUPLICATION OF THESE DOCUMENTS OR  
 THE WORK REPRESENTED BY THEM IS  
 PROHIBITED WITHOUT THE EXPRESS  
 WRITTEN CONSENT OF PIAZZA STONE LLC.

PIAZZA TRACK AND PIAZZA CLIPS  
 ARE MANUFACTURED  
 EXCLUSIVELY BY  
 THE STEEL NETWORK, Inc. (TSN).  
 US Patent #7,503,150  
[www.steelnetwork.com](http://www.steelnetwork.com)

*BLIND BASE SUPPORT APPLICATION  
PIAZZA PZ-18-97 CLIPS  
PRE INSTALLATION  
MANUFACTURED BY  
The Steel Network, Inc.  
(888) 474-4876.  
EXCLUSIVELY FOR PIAZZA STONEWORKS*



*BLIND BASE SUPPORT APPLICATION  
PIAZZA PZ-18-97 CLIPS  
POST INSTALLATION  
MANUFACTURED BY  
The Steel Network, Inc.  
(888) 474-4876.  
EXCLUSIVELY FOR PIAZZA STONEWORKS*



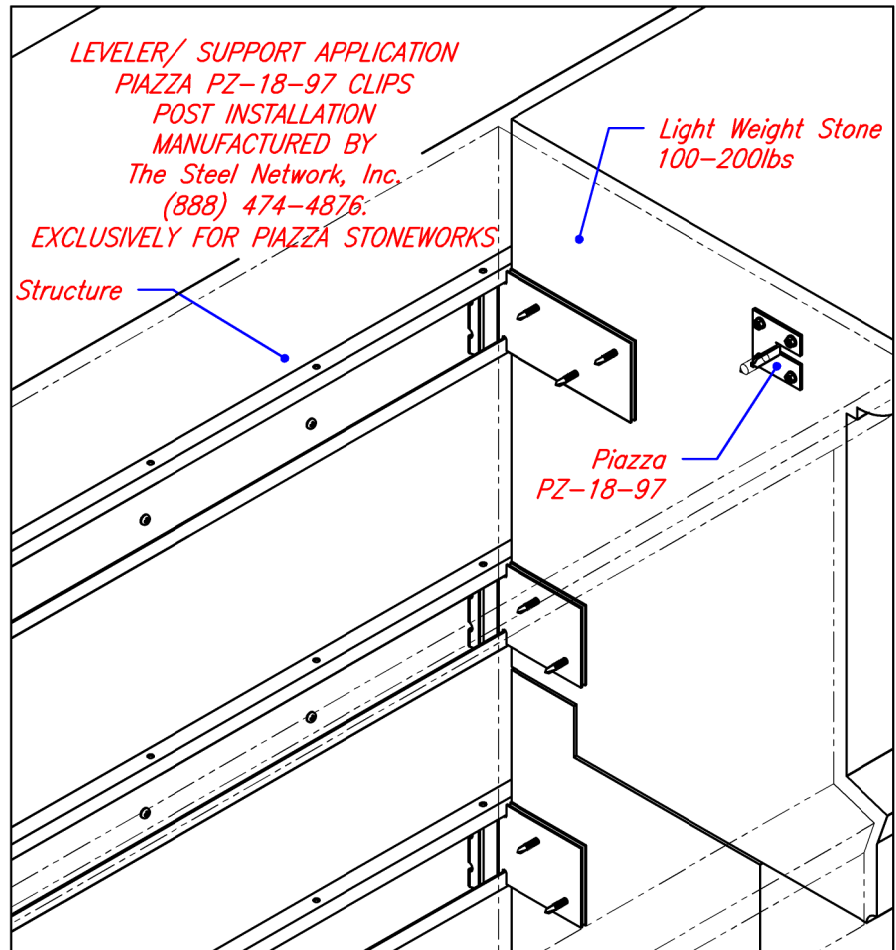
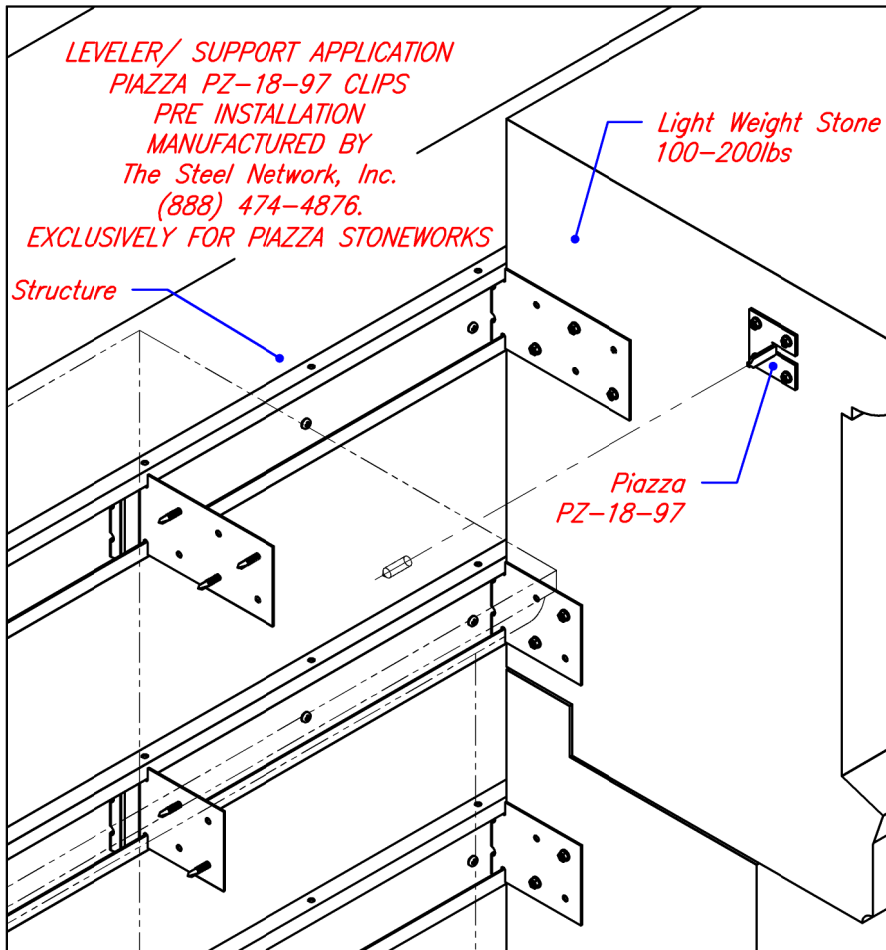
DRAWING NUMBER		REVISION
DRAWN	CHECKED	▲
cbs	mjh	▲
SHEET	DATE	▲
	2/14/2020	▲

TITLE
PIAZZA PRODUCT APPLICATION
CUSTOMER
PIAZZA STONEWORKS

PROJECT	PIAZZA PRODUCTS
SHEET TITLE	PIAZZA PZ-18-97 APPL CATION OPTION

**COPYRIGHT NOTICE**  
COPYRIGHT IS RETAINED BY PIAZZA STONE LLC., FROM THE DATE OF ISSUANCE OF THESE DOCUMENTS. DUPLICATION OF THESE DOCUMENTS OR THE WORK REPRESENTED BY THEM IS PROHIBITED WITHOUT THE EXPRESS WRITTEN CONSENT OF PIAZZA STONE LLC.

PIAZZA TRACK AND PIAZZA CLIPS ARE MANUFACTURED EXCLUSIVELY BY THE STEEL NETWORK, Inc. (TSN). US Patent #7,503,150 [www.steelnetwork.com](http://www.steelnetwork.com)



DRAWING NUMBER		REVISION
DRAWN	CHECKED	▲
cbs	mjh	▲
SHEET	DATE	▲
	2/14/2020	▲

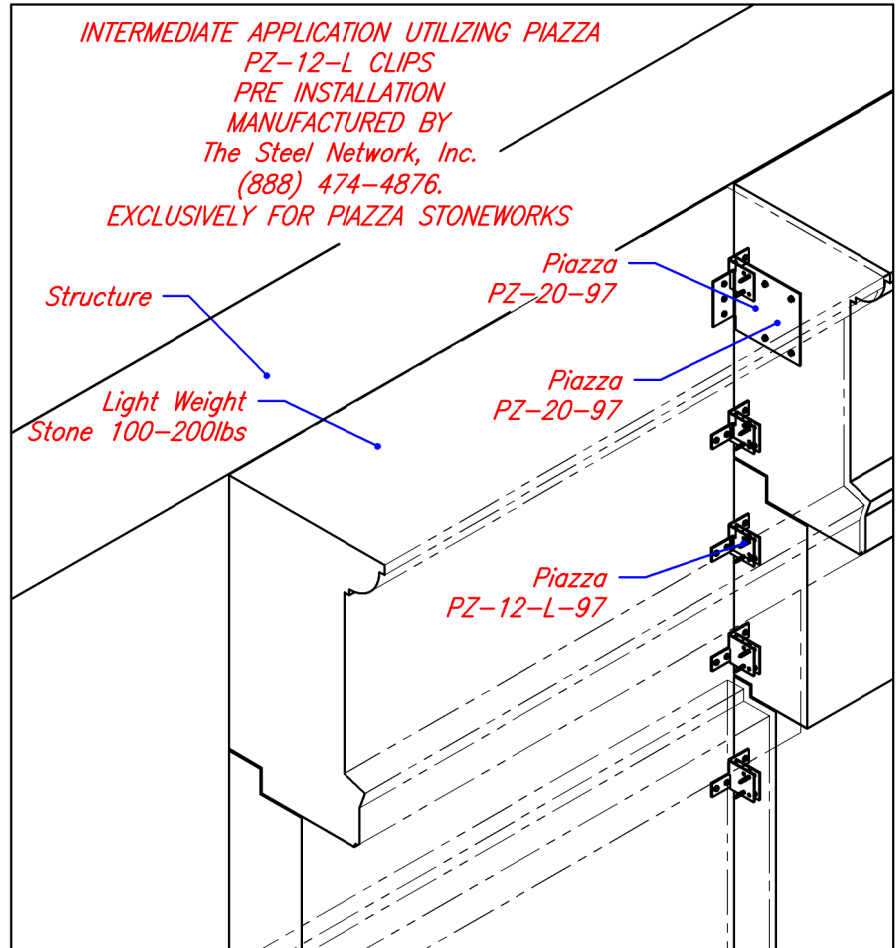
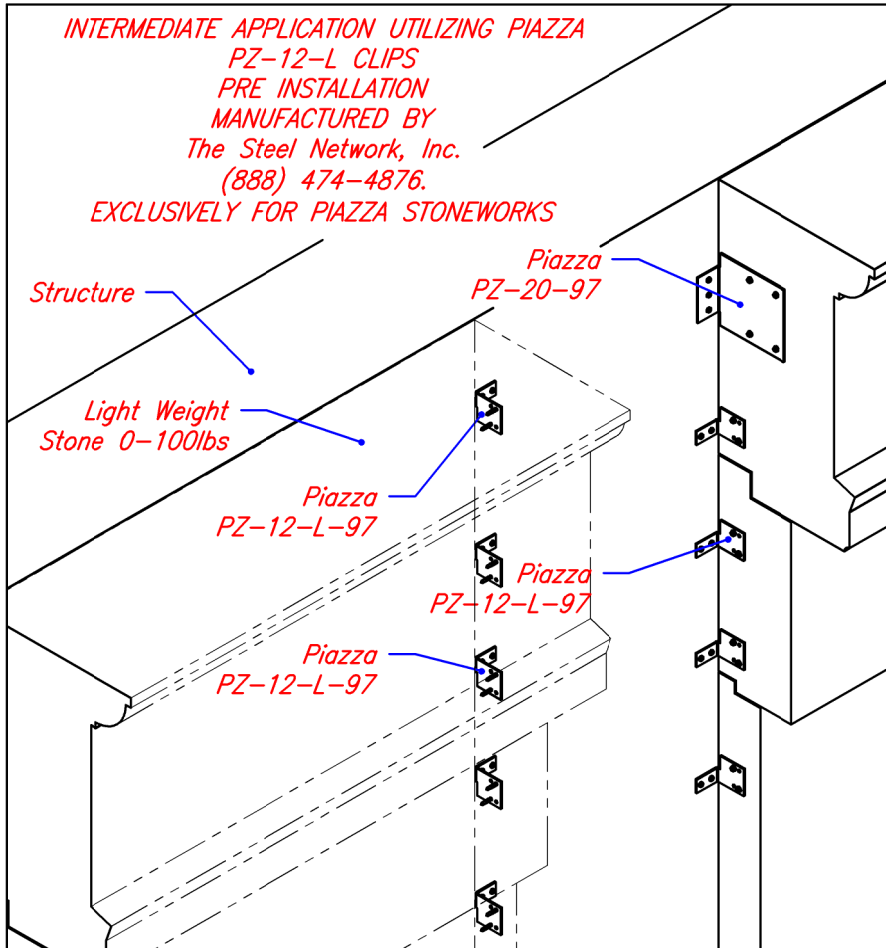
TITLE
PIAZZA PRODUCT APPLICATION
CUSTOMER
PIAZZA STONEWORKS

PROJECT
PIAZZA PRODUCTS
SHEET TITLE
PZ-18-97 APPLICATION

**COPYRIGHT NOTICE**  
 COPYRIGHT IS RETAINED BY  
 PIAZZA STONE LLC., FROM THE DATE OF  
 ISSUANCE OF THESE DOCUMENTS.  
 DUPLICATION OF THESE DOCUMENTS OR  
 THE WORK REPRESENTED BY THEM IS  
 PROHIBITED WITHOUT THE EXPRESS  
 WRITTEN CONSENT OF PIAZZA STONE LLC.

PIAZZA TRACK AND PIAZZA CLIPS  
 ARE MANUFACTURED  
 EXCLUSIVELY BY  
 THE STEEL NETWORK, Inc. (TSN).  
 US Patent #7,503,150  
[www.steelnetwork.com](http://www.steelnetwork.com)





DRAWING NUMBER		REVISION
DRAWN	CHECKED	▲
cbs	mjh	▲
SHEET	DATE	▲
	2/14/2020	▲

TITLE
PIAZZA PRODUCT APPLICATION
CUSTOMER
PIAZZA STONEWORKS

PROJECT
PIAZZA PRODUCTS
SHEET TITLE
PZ-12-L-97/ PZ-20-97 APPLICATION

COPYRIGHT NOTICE  
COPYRIGHT IS RETAINED BY  
PIAZZA STONE LLC., FROM THE DATE OF  
ISSUANCE OF THESE DOCUMENTS.  
DUPLICATION OF THESE DOCUMENTS OR  
THE WORK REPRESENTED BY THEM IS  
PROHIBITED WITHOUT THE EXPRESS  
WRITTEN CONSENT OF PIAZZA STONE LLC.

PIAZZA TRACK AND PIAZZA CLIPS  
ARE MANUFACTURED  
EXCLUSIVELY BY  
THE STEEL NETWORK, Inc. (TSN).  
US Patent #7,503,150  
[www.steelnetwork.com](http://www.steelnetwork.com)