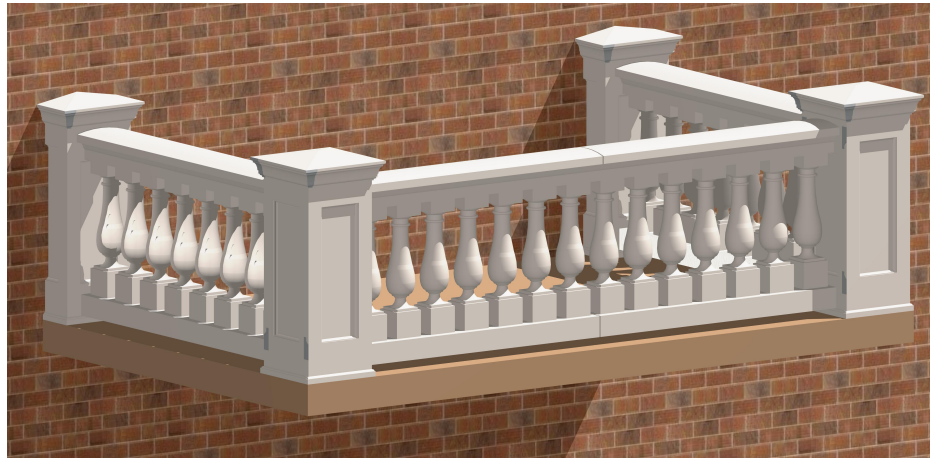


BALUSTRADE SYSTEM BY



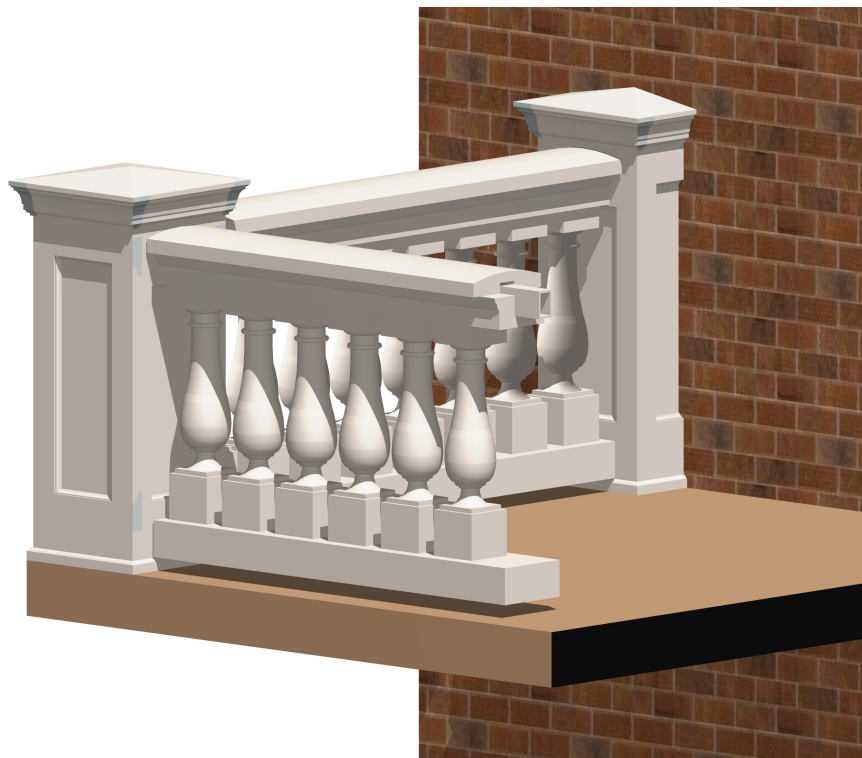
3817 Martinez Blvd. Ste. A
Augusta, GA 30909
706-651-1210

JANUARY 26, 2021



BALUSTRADE RENDERING

NOT TO SCALE



PARTIAL SECTION OF BALUSTRADE

NOT TO SCALE

DATE:
1-26-2021

PROJECT:

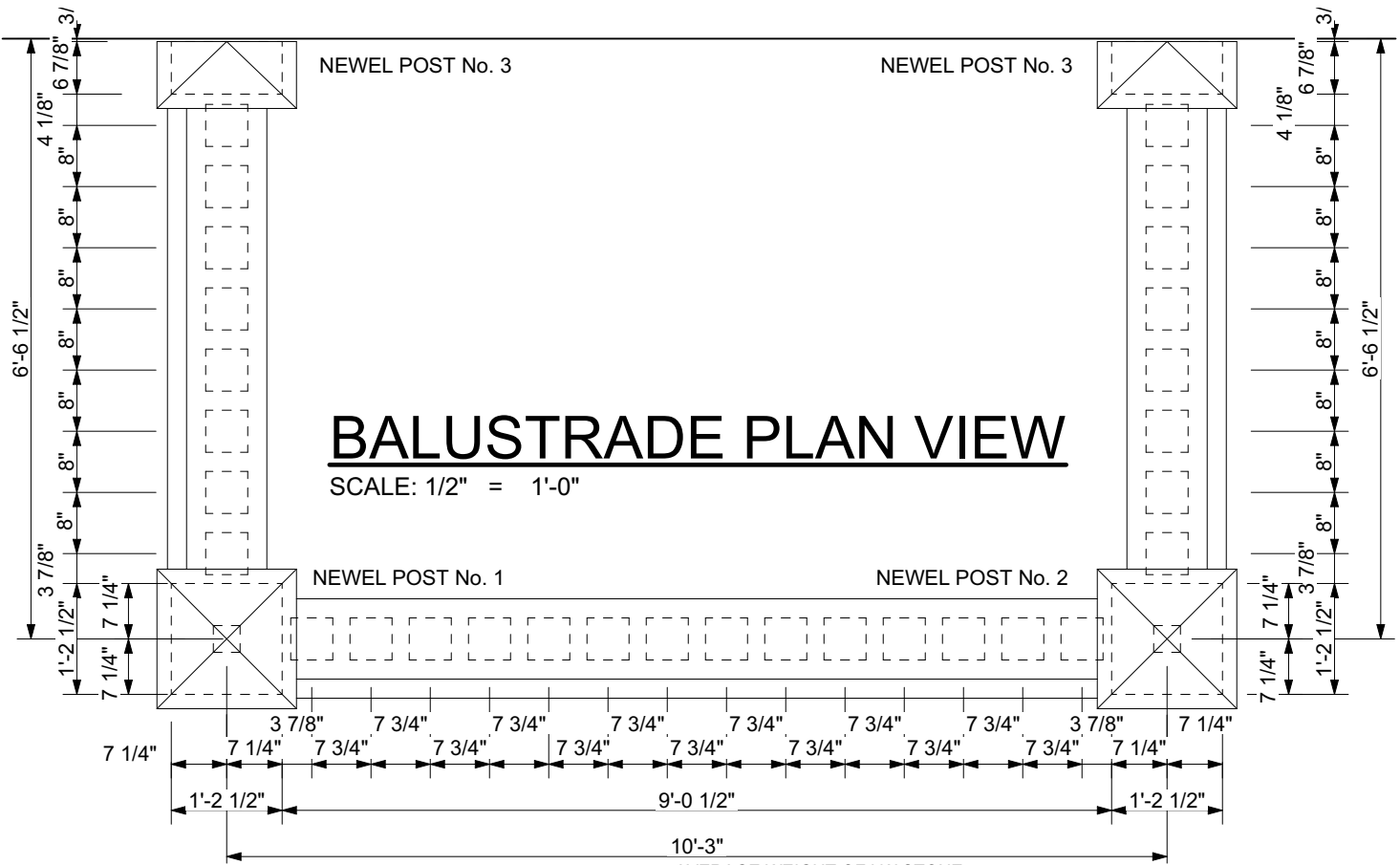
SHT. No.

TYPICAL BALUSTRADE RENDERINGS

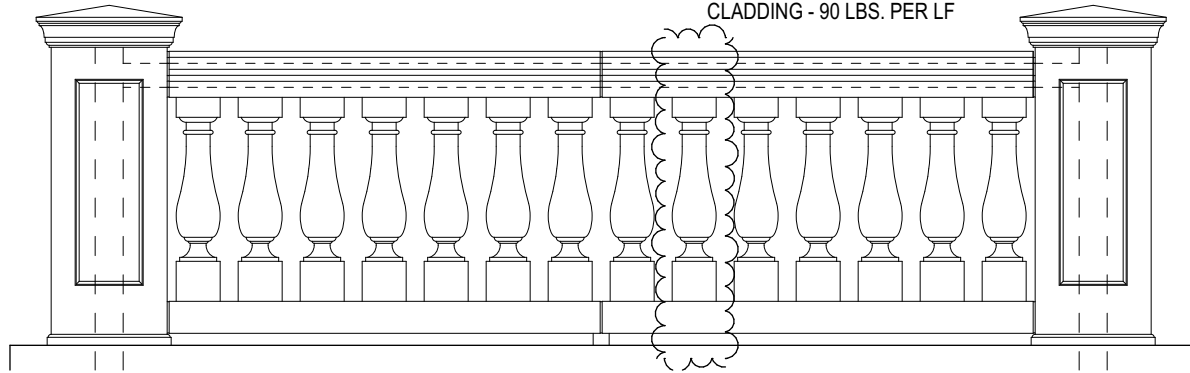
A-1

piazza **STONWORKS**

3817 Martinez Blvd. Ste. A
Augusta, GA 30909
706-651-1210

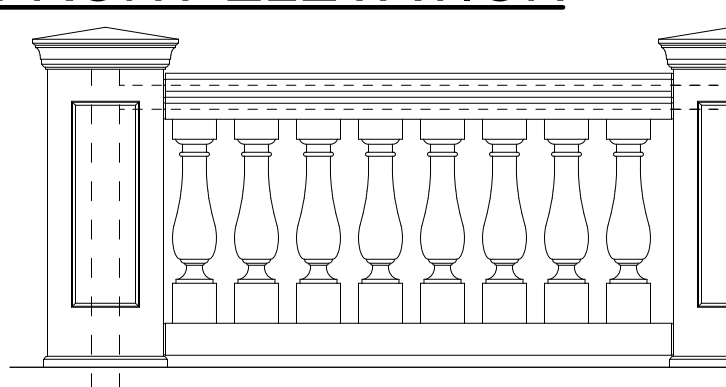


AVERAGE WEIGHT OF LW STONE
CLADDING - 90 LBS. PER LF



BALUSTRADE FRONT ELEVATION

SCALE: 1/2" = 1'-0"



BALUSTRADE SIDE ELEVATION

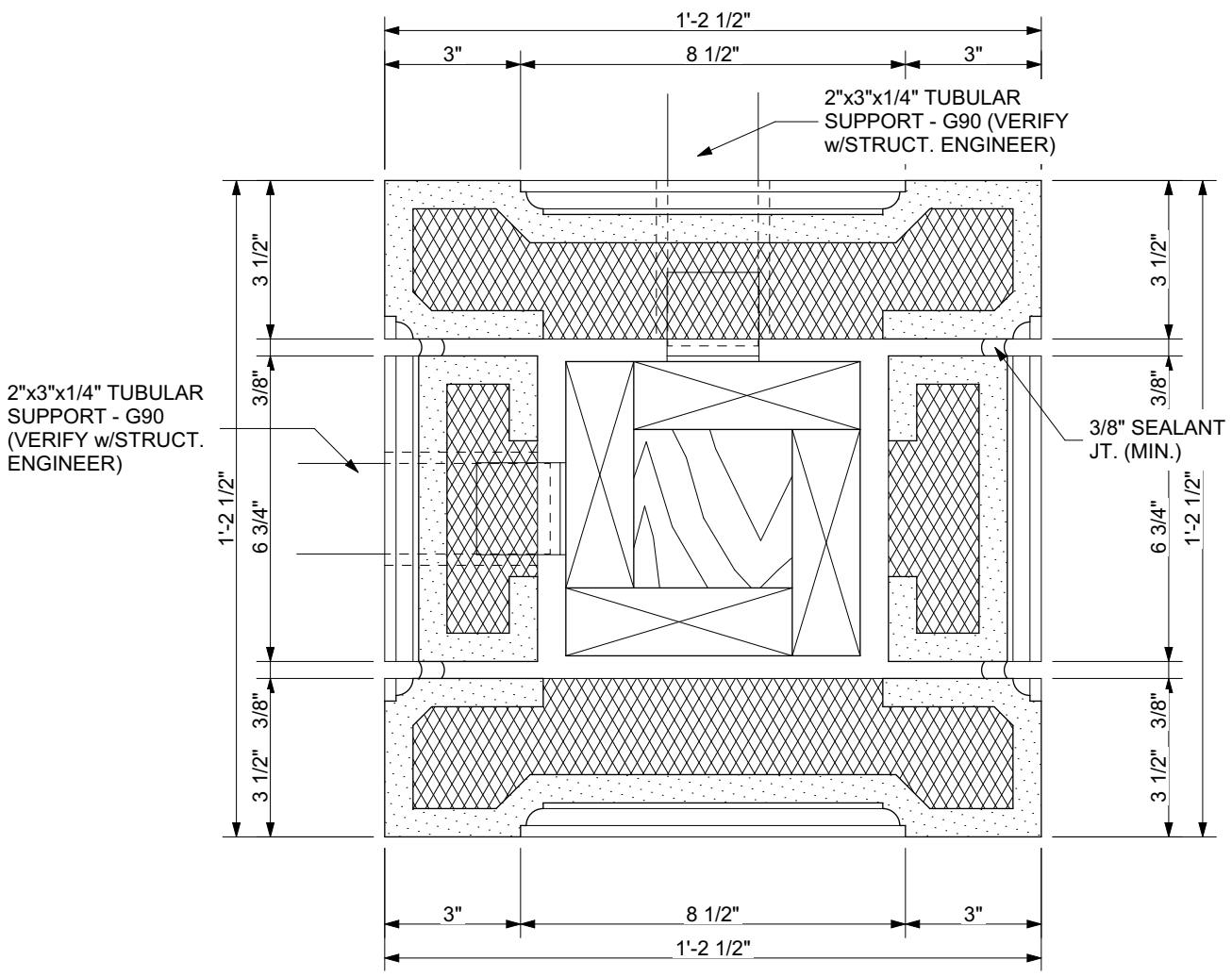
SCALE: 1/2" = 1'-0"

DATE:	PROJECT:
1-26-2021	
SHT. No.	
A-2	

BALUSTRADE PLAN VIEW & ELEVATIONS

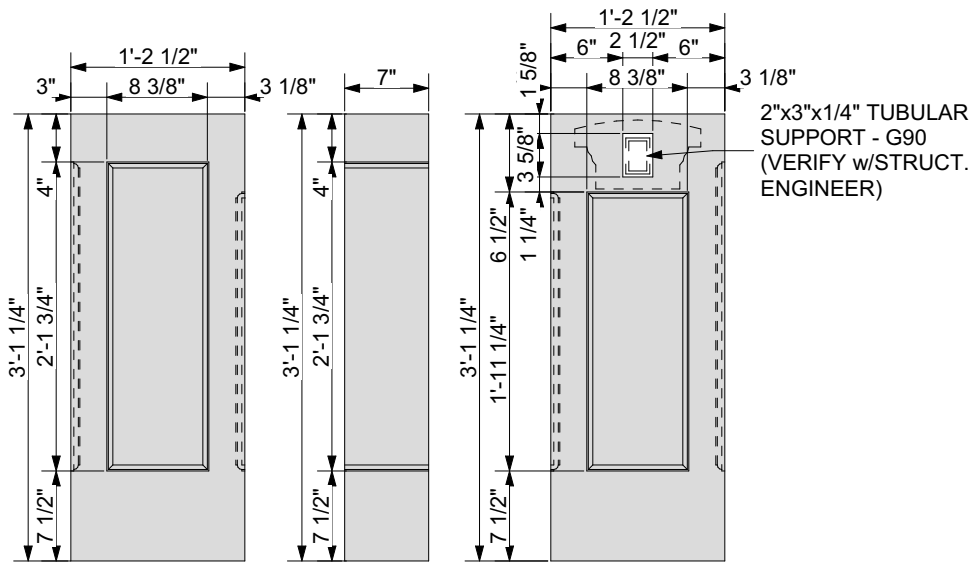


3817 Martinez Blvd. Ste. A
Augusta, GA 30909
706-651-1210




NEWEL POST HORIZONTAL SECTION

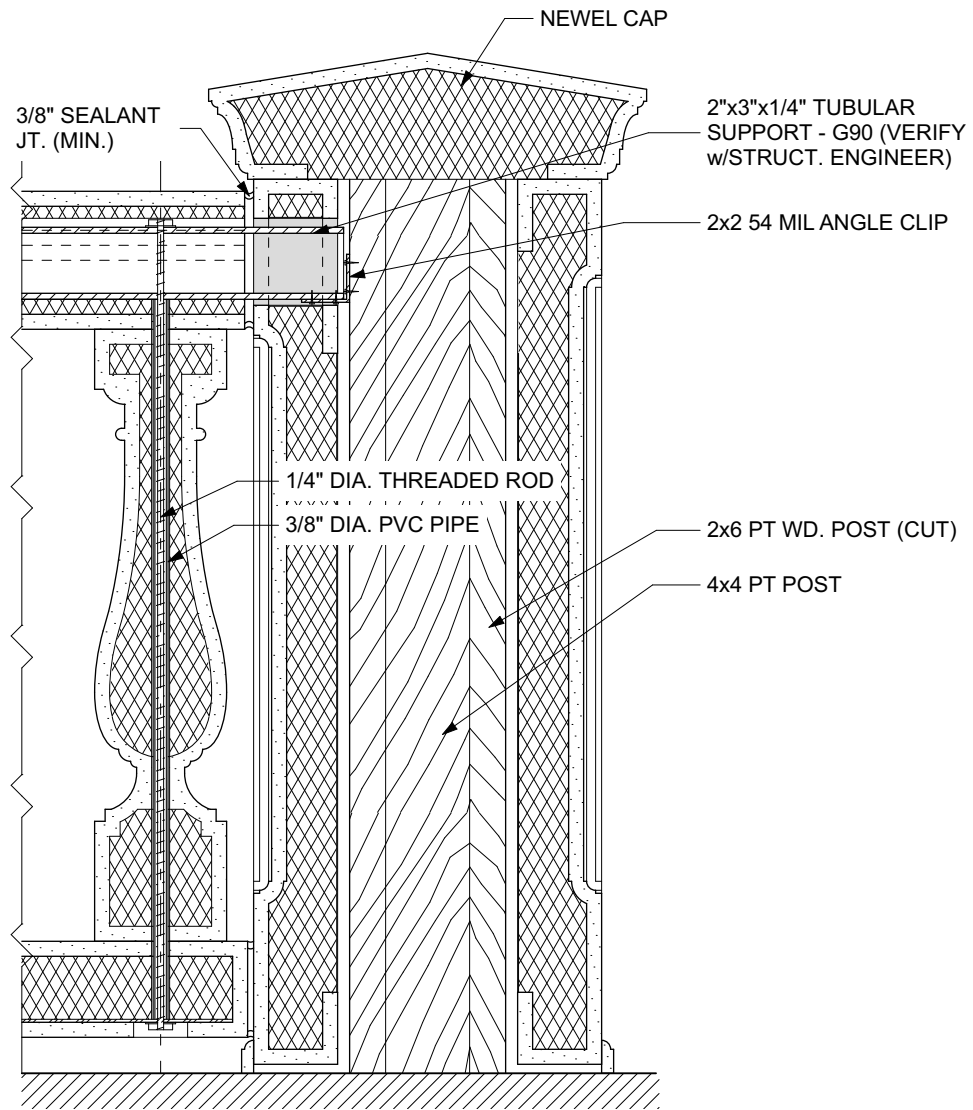
SCALE: 3" = 1'-0"



TYP. PANEL ELEVATIONS

SCALE: 3/4" = 1'-0"

DATE: 1-26-2021	PROJECT: TYPICAL NEWEL POST SECTION & PANEL ELEVATIONS		3817 Martinez Blvd. Ste. A Augusta, GA 30909 706-651-1210
SHT. No. A-3			



NEWEL POST SECTION

SCALE: 1 1/2" = 1'-0"

DATE:
1-26-2021

PROJECT:

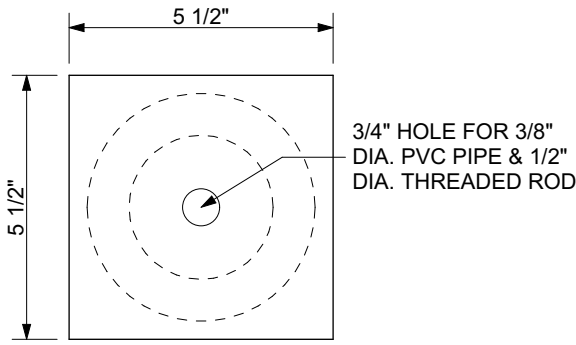
SHT. No.

TYPICAL NEWEL POST SECTION

A-4

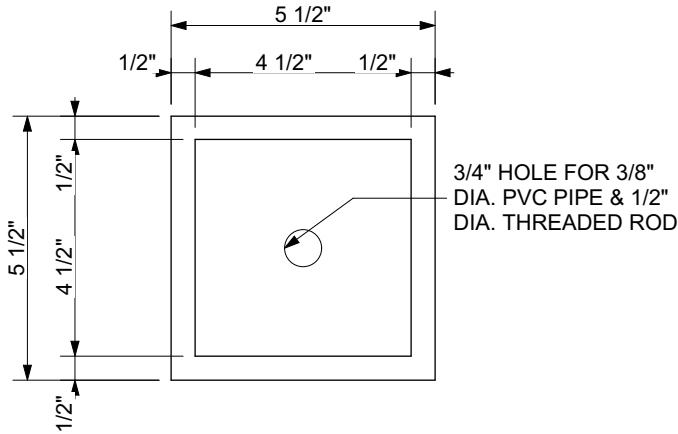
piazza **STONWORKS**

3817 Martinez Blvd. Ste. A
Augusta, GA 30909
706-651-1210



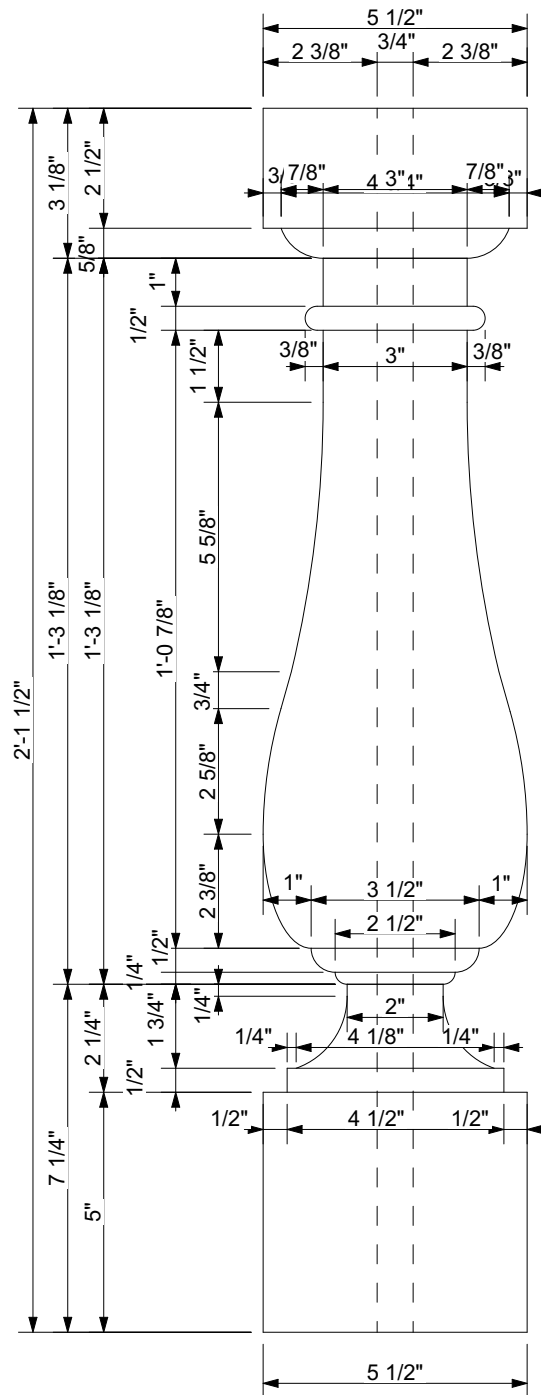
BALUSTER TOP

SCALE: 3" = 1'-0"



BALUSTER BOTTOM

SCALE: 3" = 1'-0"



BALUSTER ELEVATION

SCALE: 3" = 1'-0"

DATE:

1-26-2021

SHT. No.

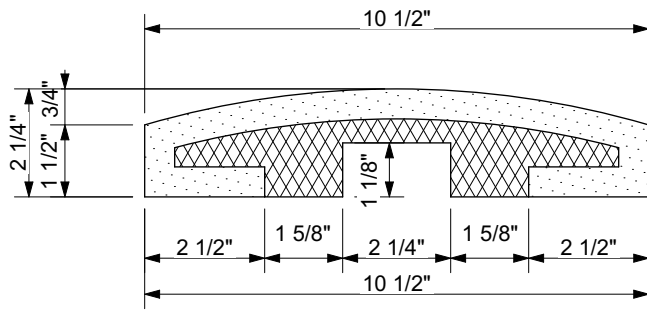
A-5

PROJECT:

TYPICAL BALUSTRADE DETAILS & ELEVATIONS

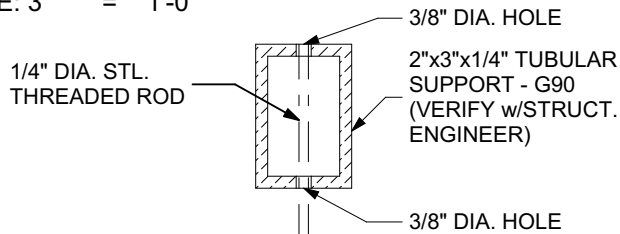
piazza **STONWORKS**

3817 Martinez Blvd. Ste. A
Augusta, GA 30909
706-651-1210



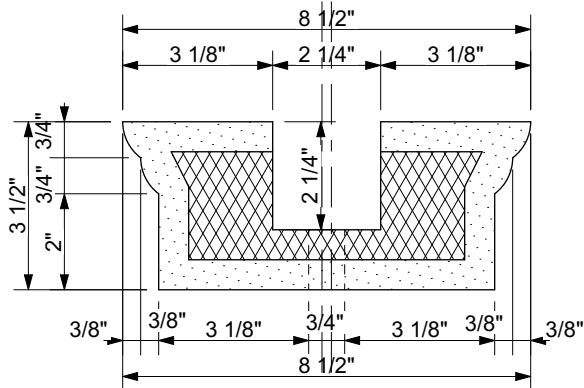
TOP RAIL CAP

SCALE: 3" = 1'-0"



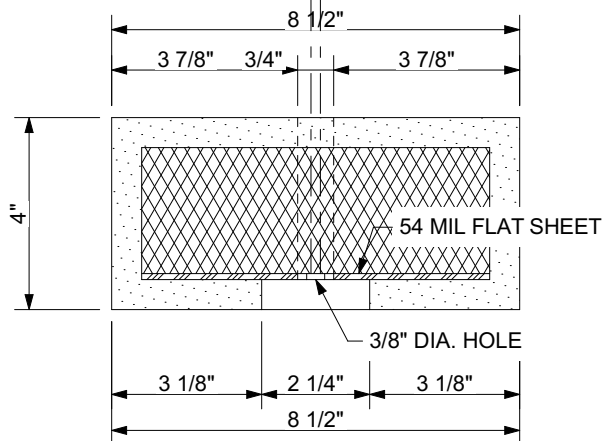
RAIL TUBE SUPPORT

SCALE: 3" = 1'-0"



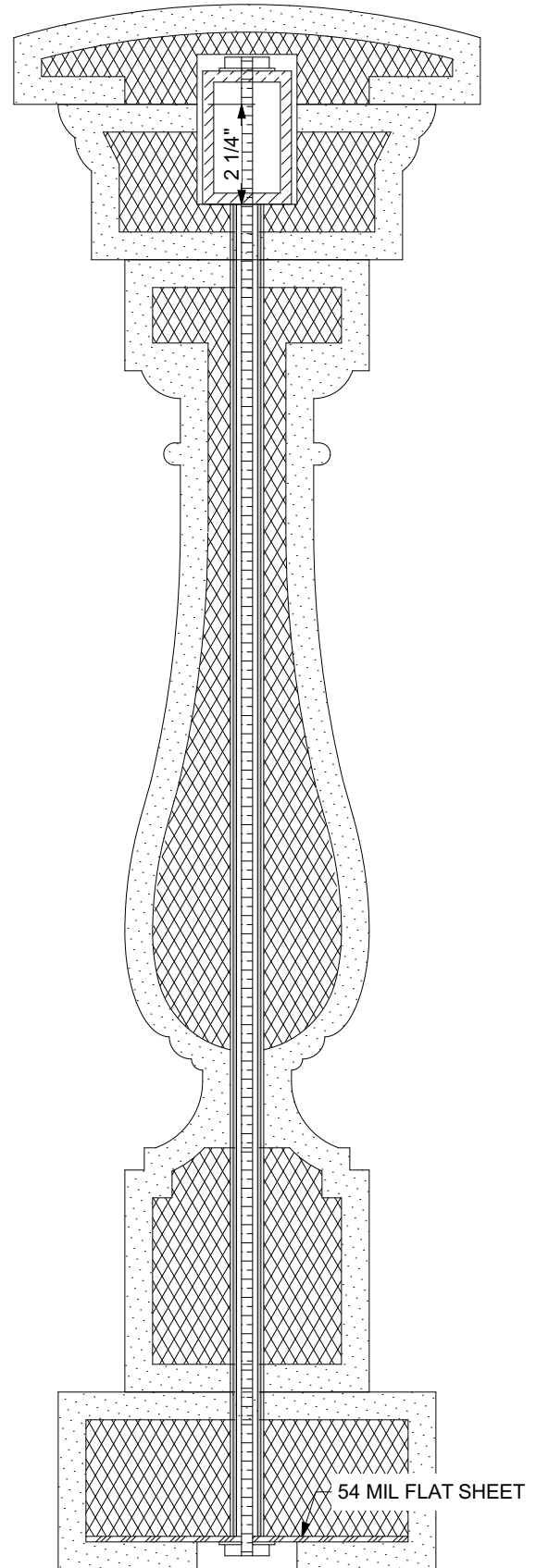
TOP RAIL BOTTOM

SCALE: 3" = 1'-0"



BOTTOM RAIL

SCALE: 3" = 1'-0"



BALUSTER & RAIL SECTION

SCALE: 3" = 1'-0"

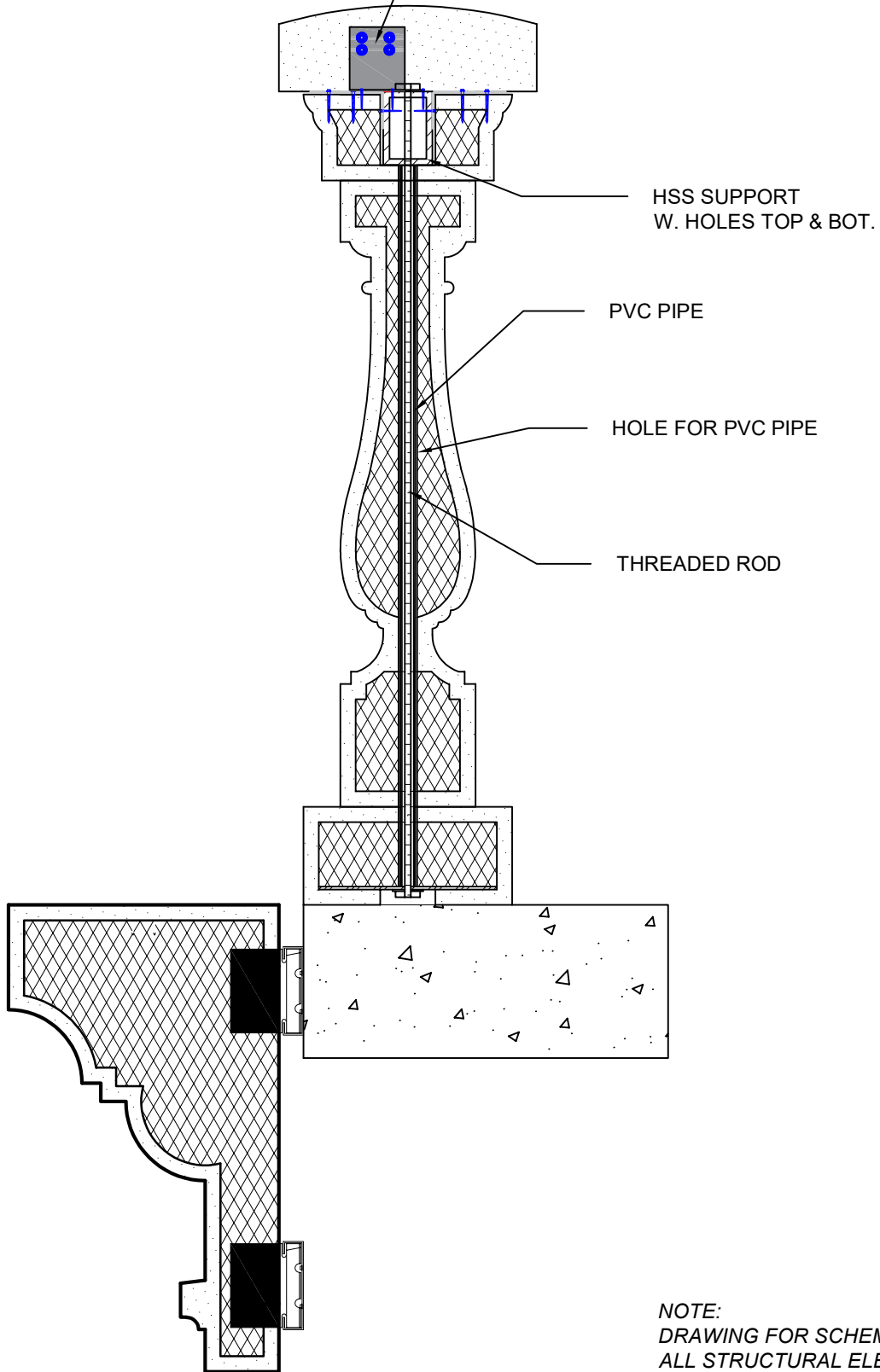
DATE:
1-26-2021
SHT. No.
A-6

PROJECT:
TYPICAL BALUSTRADE DETAILS & ELEVATIONS

piazza **STONWORKS**

3817 Martinez Blvd. Ste. A
Augusta, GA 30909
706-651-1210

PUC225-54
EACH CLIP 4 FASTENERS
TO PANEL AND 2 FASTENERS
TO HSS



NOTE:
DRAWING FOR SCHEMATIC PURPOSES ONLY.
ALL STRUCTURAL ELEMENTS TO BE DESIGNED
BY ENGINEER OF RECORD (EOR).

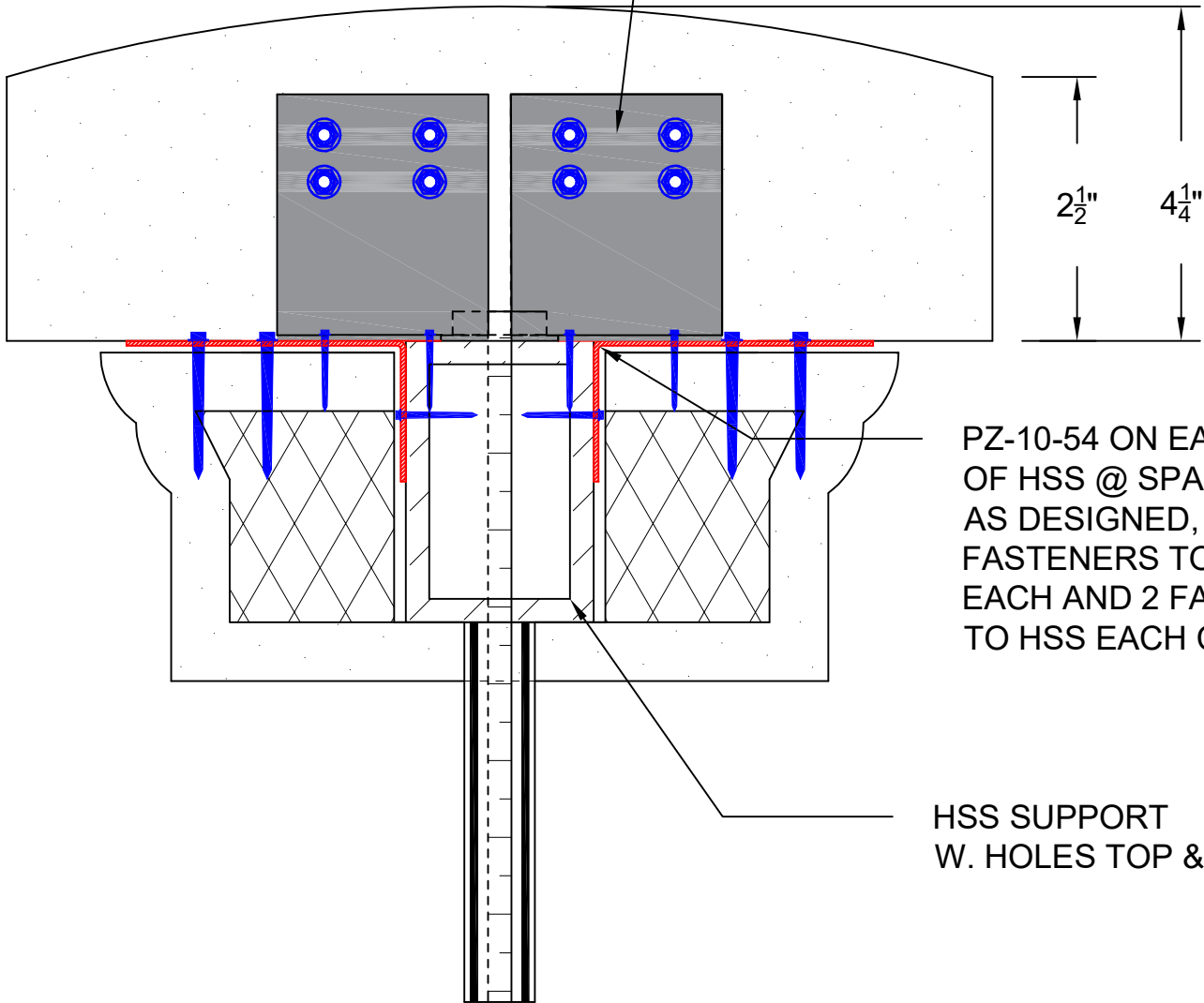
DATE: 2-11-2021
SHT. No. A-7

PROJECT: BALUSTRADE ATTACHMENT

piazza **STONWORKS**

3817 Martinez Blvd. Ste. A
Augusta, GA 30909
706-651-1210

PUC225-54
 ALTERNATED FOR END PIECE
 EACH CLIP 4 FASTENERS
 TO PANEL AND 2 FASTENERS
 TO HSS / PZ-10-54



2 1/2" 4 1/4"

PZ-10-54 ON EACH SIDE
 OF HSS @ SPACING
 AS DESIGNED, W. 2
 FASTENERS TO PANEL
 EACH AND 2 FASTENERS
 TO HSS EACH CLIP

HSS SUPPORT
 W. HOLES TOP & BOT.

NOTE:
 DRAWING FOR SCHEMATIC PURPOSES ONLY.
 ALL STRUCTURAL ELEMENTS TO BE DESIGNED
 BY ENGINEER OF RECORD (EOR).

DATE: 2-11-2021
 PROJECT: SHT. No.

BALUSTRADE TOP RAIL

A-8



3817 Martinez Blvd. Ste. A
 Augusta, GA 30909
 706-651-1210