

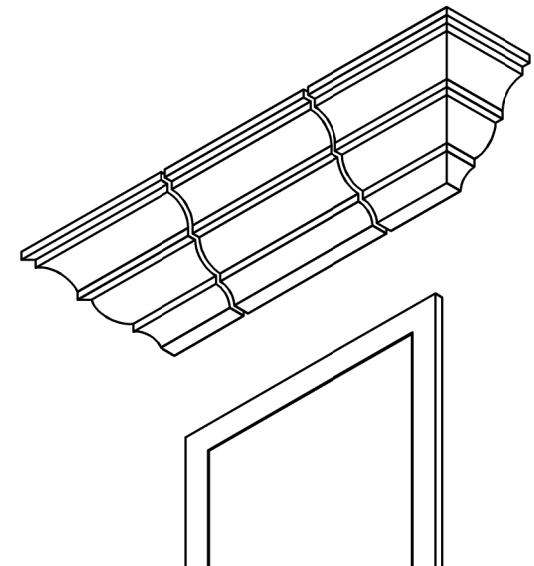
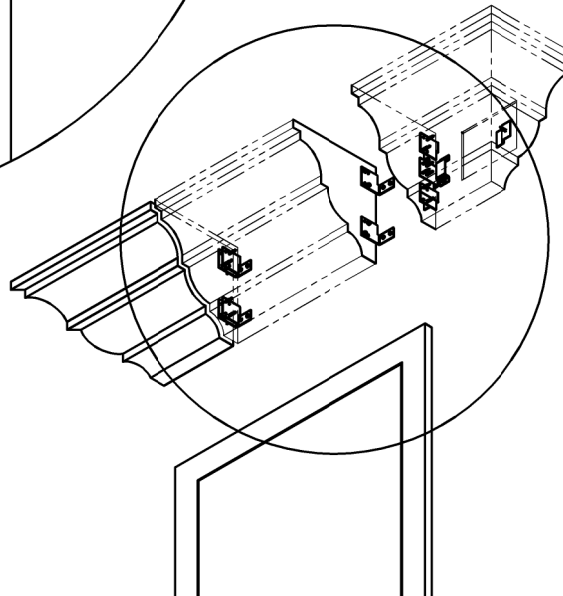
Piazza PUC225-54 To Secure Outside Stone In Place After Final Positioning

Piazza PT-1.875-68 Attached to Back of Stone in Stone Recess

Piazza PR-2.0-68 Attached to Structure

Piazza PZ-12-R-97 Type

DOOR AND WINDOW HEADER APPLICATION  
 UTILIZING PZ-12, PT AND PR CLIPS  
 MANUFACTURED BY  
 The Steel Network, Inc.  
 (888) 474-4876.  
 EXCLUSIVELY FOR PIAZZA STONWORKS



DRAWING NUMBER		REVISION
DRAWN	CHECKED	▲
cbs	mjh	▲
SHEET	DATE	▲
	12/30/2020	▲

TITLE
PIAZZA PRODUCT APPLICATION
CUSTOMER
PIAZZA STONWORKS

PROJECT
PIAZZA PRODUCTS
SHEET TITLE
DOOR AND WINDOW HEADER

COPYRIGHT NOTICE  
 COPYRIGHT IS RETAINED BY  
 PIAZZA STONE LLC., FROM THE DATE OF  
 ISSUANCE OF THESE DOCUMENTS.  
 DUPLICATION OF THESE DOCUMENTS OR  
 THE WORK REPRESENTED BY THEM IS  
 PROHIBITED WITHOUT THE EXPRESS  
 WRITTEN CONSENT OF PIAZZA STONE LLC.

PIAZZA TRACK AND PIAZZA CLIPS  
 ARE MANUFACTURED  
 EXCLUSIVELY BY  
 THE STEEL NETWORK, Inc. (TSN).  
 US Patent #7,503,150  
[www.steelnetwork.com](http://www.steelnetwork.com)