

# LARGE CORNICE BY



3817 Martinez Blvd. Ste. A  
Augusta, GA 30907  
706-651-1210

## **INTRODUCTION**

These drawings (A-1 - A-2) are presented to show the approximate maximum dimensions of a large, straight cornice (A-1) or a large cornice with a return (A-2). Refer to latest guidance from PiazzaStone for heaviest recommended individual pieces.

FEBRUARY 11, 2021

# LARGE CORNICE BY

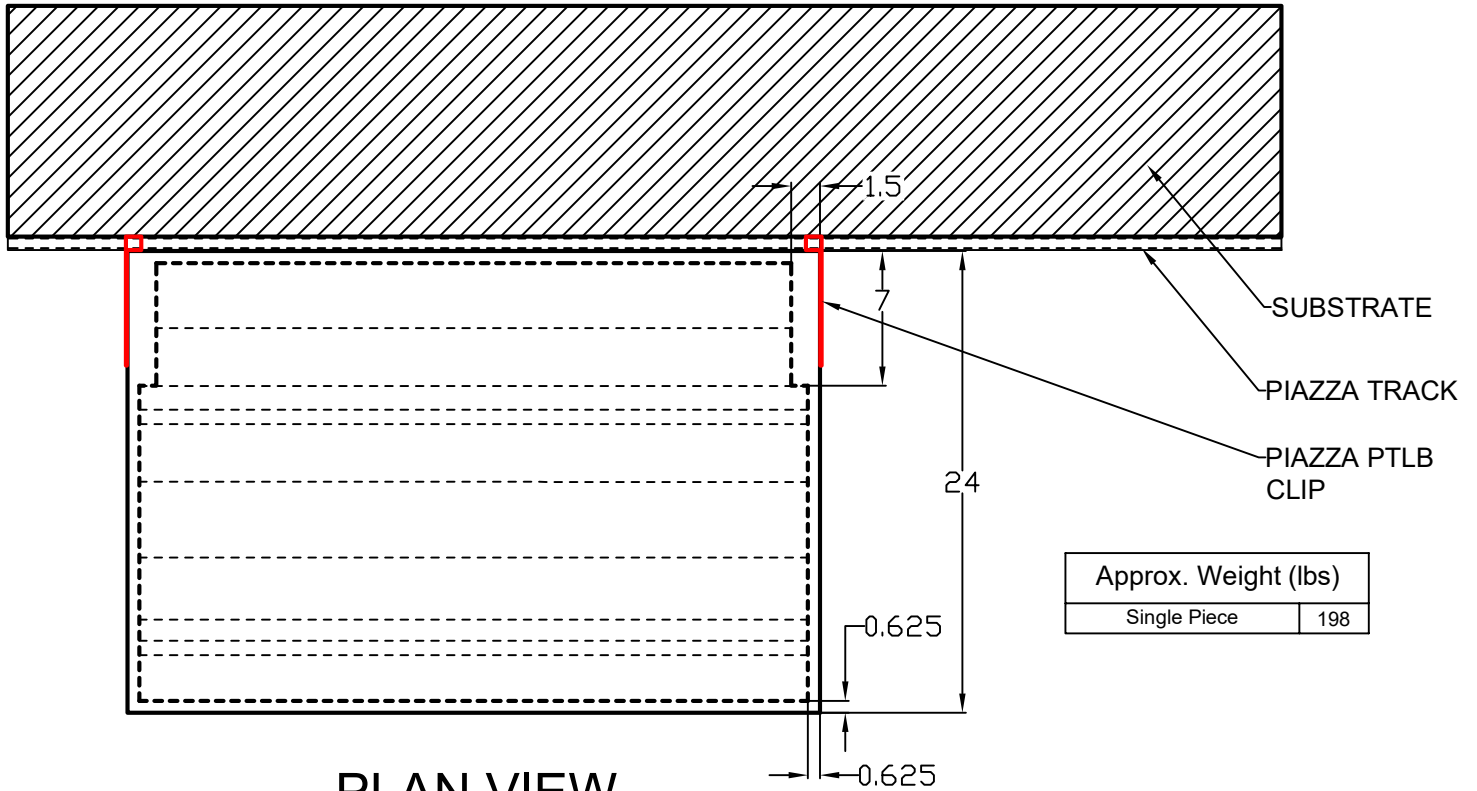


3817 Martinez Blvd. Ste. A  
Augusta, GA 30907  
706-651-1210

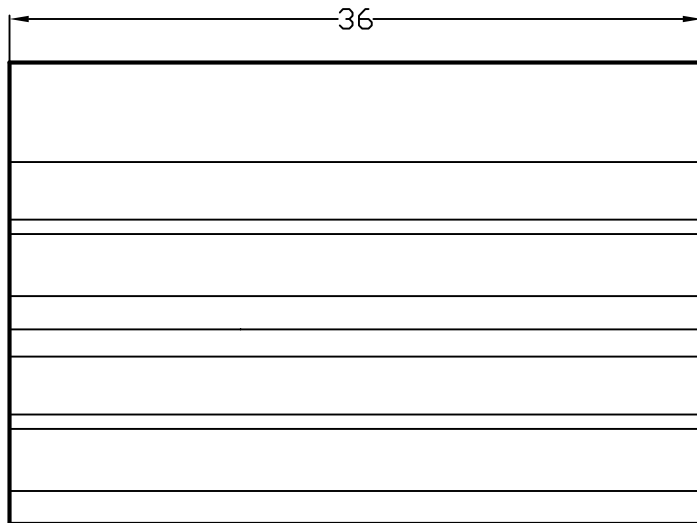
## **INTRODUCTION**

These drawings (A-1 - A-2) are presented to show the approximate maximum dimensions of a large, straight cornice (A-1) or a large cornice with a return (A-2). Refer to latest guidance from PiazzaStone for heaviest recommended individual pieces.

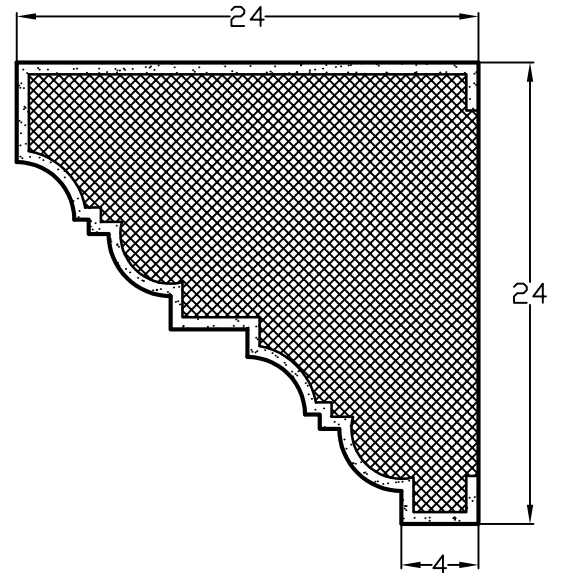
FEBRUARY 9, 2021



PLAN VIEW



ELEV. VIEW



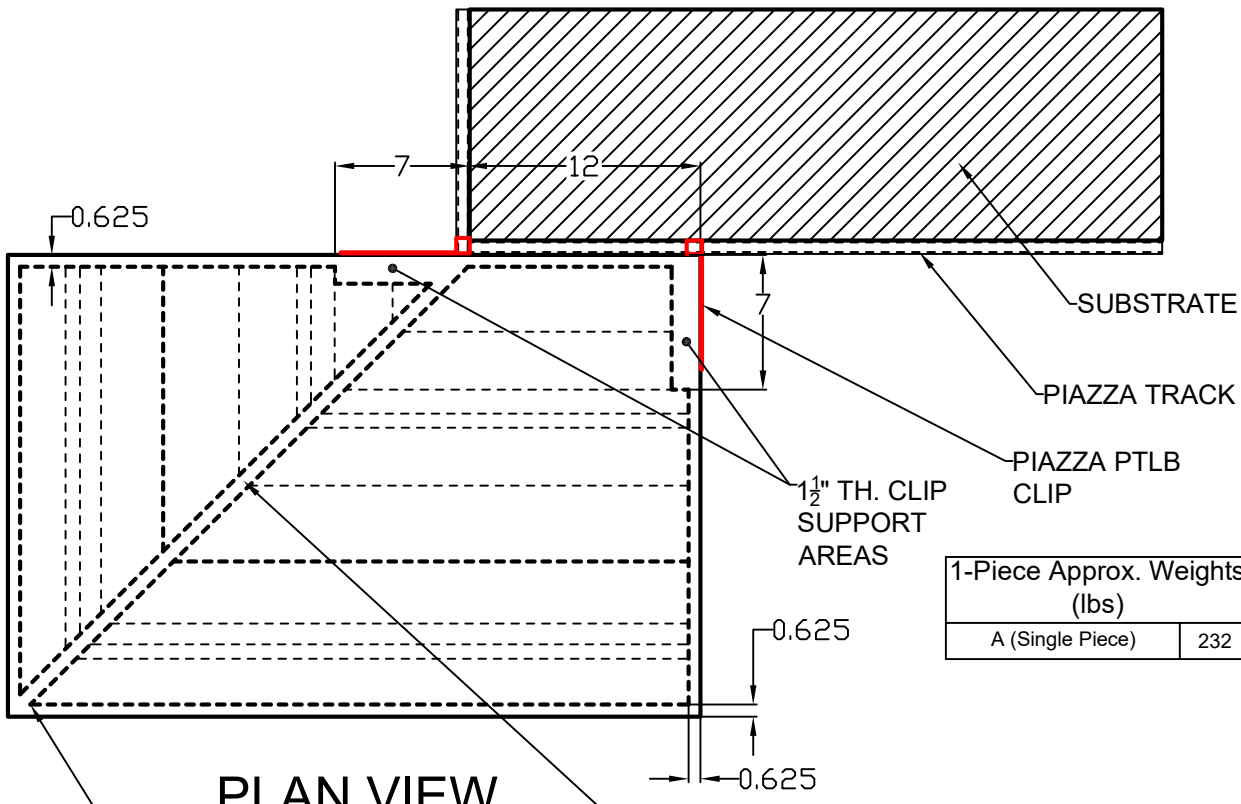
SECT. VIEW

DATE:  
2-11-2021  
SHT. No.  
A-1

PROJECT:  
LARGE STRAIGHT CORNICE



3817 Martinez Blvd. Ste. A  
Augusta, GA 30907  
706-651-1210



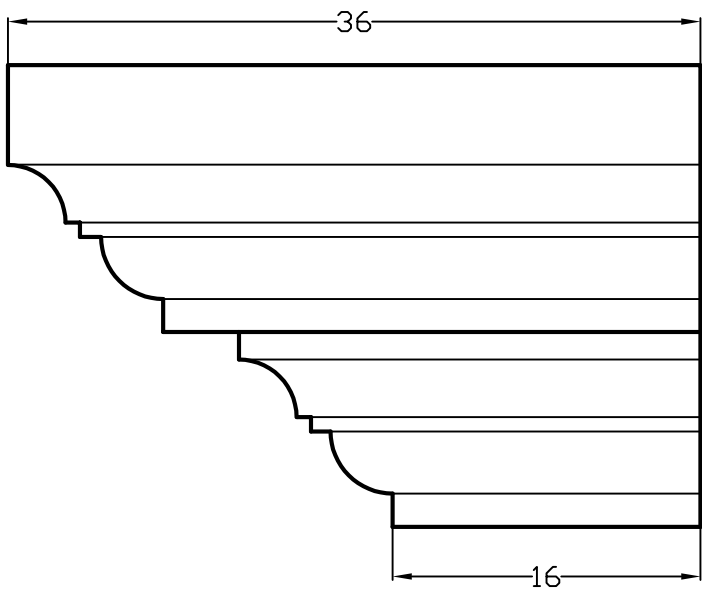
**PLAN VIEW**

**A**

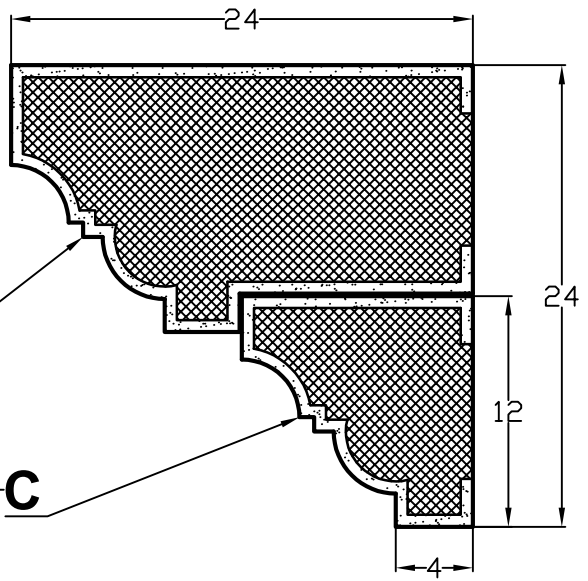
1-Piece Approx. Weights (lbs)	
A (Single Piece)	232

2-Piece Approx. Weights (lbs)	
B (Upper)	198
C (Lower)	89
2-Piece Total	287

$\frac{3}{4}$ " W STIFFENER @45deg



**ELEV. VIEW**



**SECT. VIEW**

DATE:  
2-11-2021  
SHT. No.  
A-2

PROJECT:  
**LARGE CORNICE WITH RETURN**



3817 Martinez Blvd. Ste. A  
Augusta, GA 30907  
706-651-1210