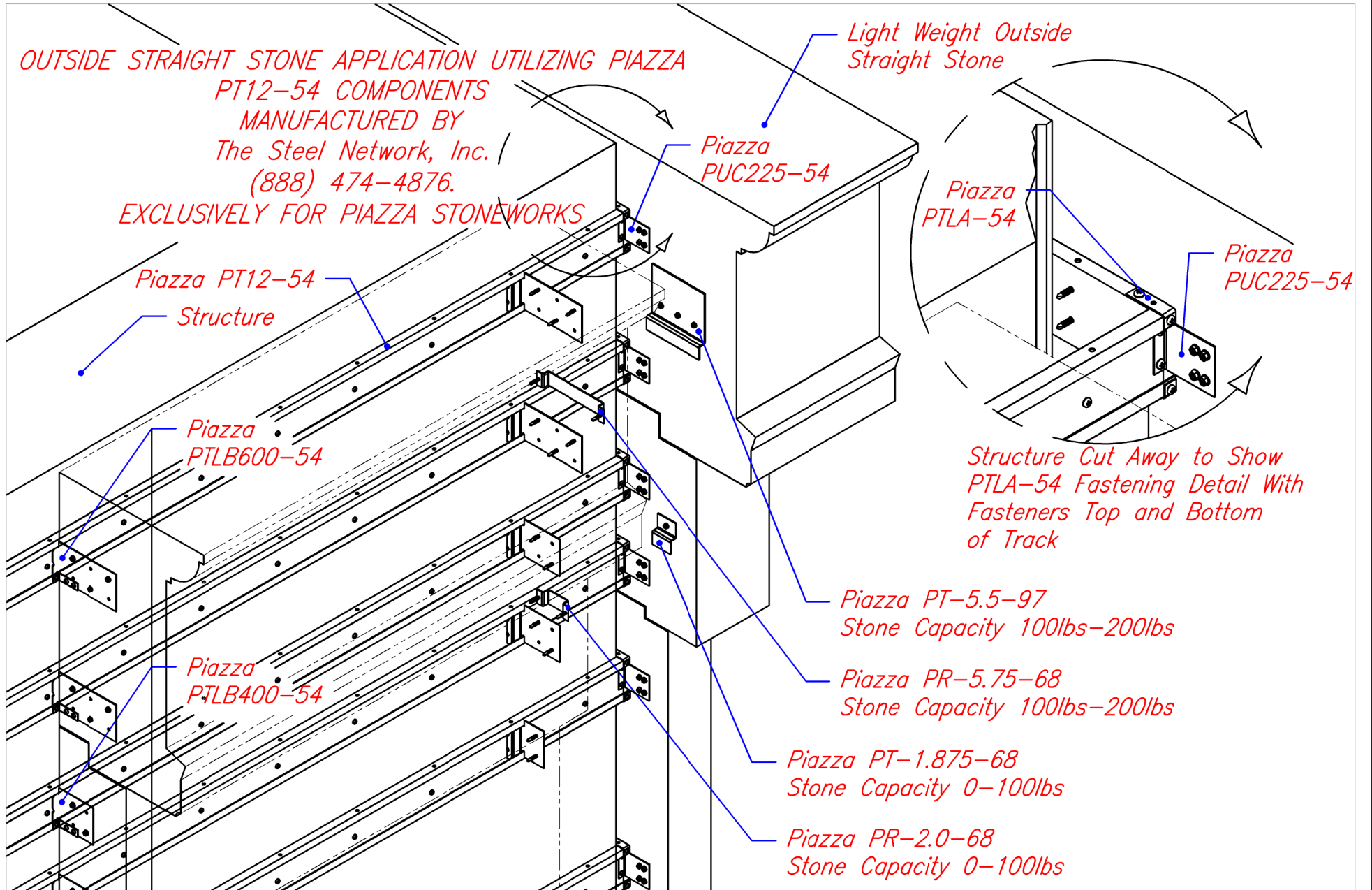


*OUTSIDE STRAIGHT STONE APPLICATION UTILIZING PIAZZA  
PT12-54 COMPONENTS  
MANUFACTURED BY  
The Steel Network, Inc.  
(888) 474-4876.  
EXCLUSIVELY FOR PIAZZA STONEWORKS*



*Light Weight Outside  
Straight Stone*

*Piazza  
PUC225-54*

*Piazza  
PTLA-54*

*Piazza  
PUC225-54*

*Piazza PT12-54  
Structure*

*Piazza  
PTLB600-54*

*Piazza  
PTLB400-54*

*Structure Cut Away to Show  
PTLA-54 Fastening Detail With  
Fasteners Top and Bottom  
of Track*

*Piazza PT-5.5-97  
Stone Capacity 100lbs-200lbs*

*Piazza PR-5.75-68  
Stone Capacity 100lbs-200lbs*

*Piazza PT-1.875-68  
Stone Capacity 0-100lbs*

*Piazza PR-2.0-68  
Stone Capacity 0-100lbs*



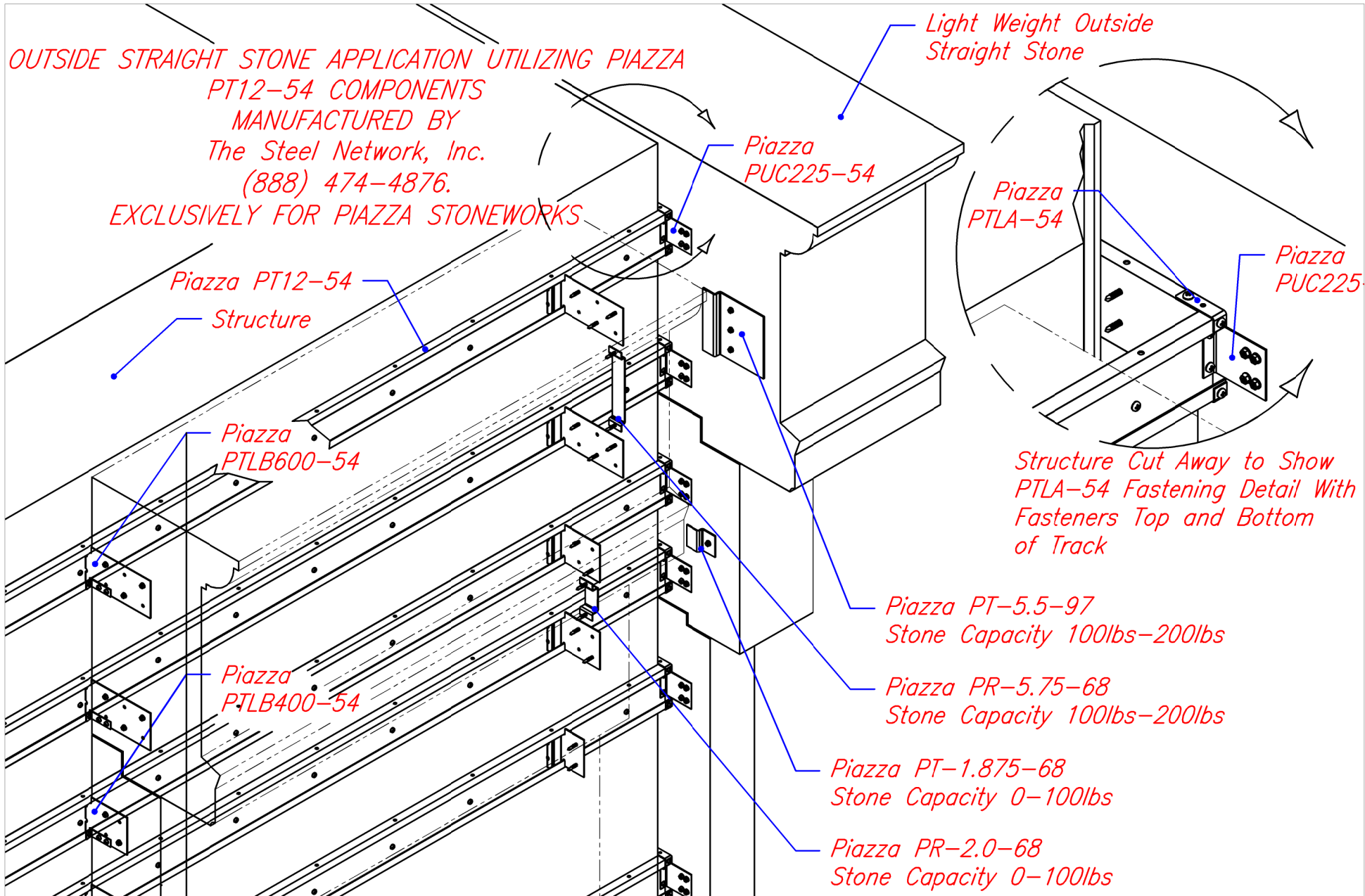
DRAWING NUMBER		REVISION
DRAWN	CHECKED	▲
cbs	mjh	▲
SHEET	DATE	▲
	2/14/2020	▲

TITLE	PIAZZA PRODUCT APPLICATION
CUSTOMER	PIAZZA STONE

PROJECT	PIAZZA TRACK PRODUCTS
SHEET TITLE	OUTSIDE STRAIGHT RETURN OPTION 1

**COPYRIGHT NOTICE**  
 COPYRIGHT IS RETAINED BY  
 PIAZZA STONE LLC., FROM THE DATE OF  
 ISSUANCE OF THESE DOCUMENTS.  
 DUPLICATION OF THESE DOCUMENTS OR  
 THE WORK REPRESENTED BY THEM IS  
 PROHIBITED WITHOUT THE EXPRESS  
 WRITTEN CONSENT OF PIAZZA STONE LLC.

PIAZZA TRACK AND PIAZZA CLIPS  
 ARE MANUFACTURED  
 EXCLUSIVELY BY  
 THE STEEL NETWORK, Inc. (TSN).  
 US Patent #7,503,150  
[www.steelnetwork.com](http://www.steelnetwork.com)



DRAWING NUMBER		REVISION
DRAWN	CHECKED	▲
cbs	mjh	▲
SHEET	DATE	▲
	2/14/2020	▲

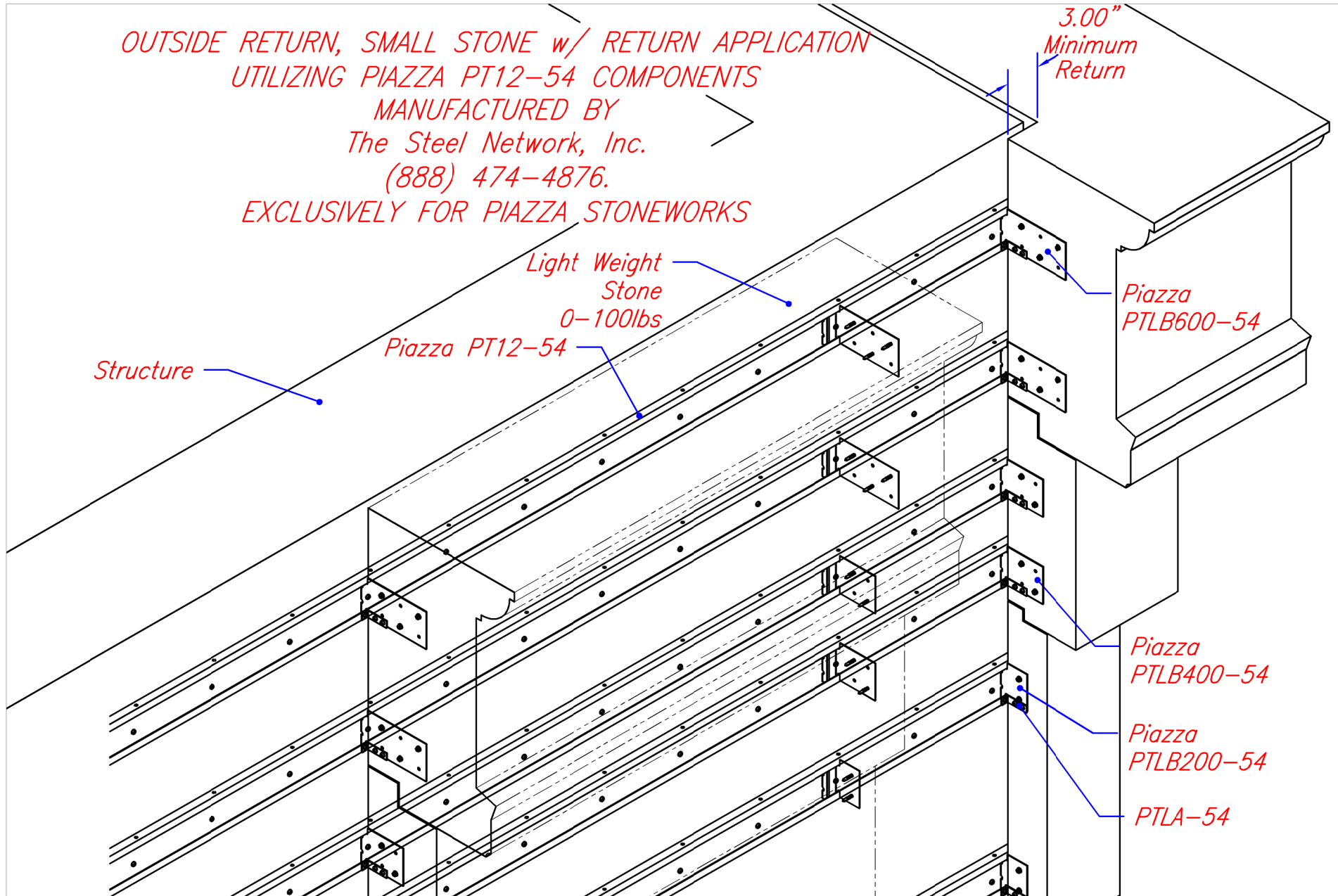
TITLE
PIAZZA PRODUCT APPLICATION
CUSTOMER
PIAZZA STONE

PROJECT
PIAZZA TRACK PRODUCTS
SHEET TITLE
OUTSIDE STRAIGHT RETURN OPTION 2

**COPYRIGHT NOTICE**  
 COPYRIGHT IS RETAINED BY PIAZZA STONE LLC., FROM THE DATE OF ISSUANCE OF THESE DOCUMENTS. DUPLICATION OF THESE DOCUMENTS OR THE WORK REPRESENTED BY THEM IS PROHIBITED WITHOUT THE EXPRESS WRITTEN CONSENT OF PIAZZA STONE LLC.

PIAZZA TRACK AND PIAZZA CLIPS ARE MANUFACTURED EXCLUSIVELY BY THE STEEL NETWORK, Inc. (TSN).  
 US Patent #7,503,150  
[www.steelnetwork.com](http://www.steelnetwork.com)

*OUTSIDE RETURN, SMALL STONE w/ RETURN APPLICATION  
 UTILIZING PIAZZA PT12-54 COMPONENTS  
 MANUFACTURED BY  
 The Steel Network, Inc.  
 (888) 474-4876.  
 EXCLUSIVELY FOR PIAZZA STONWORKS*



Structure

Light Weight  
 Stone  
 0-100lbs

Piazza PT12-54

3.00"  
 Minimum  
 Return

Piazza  
 PTLB600-54

Piazza  
 PTLB400-54

Piazza  
 PTLB200-54

PTLA-54



DRAWING NUMBER		REVISION
DRAWN	CHECKED	▲
cbs	mjh	▲
SHEET	DATE	▲
	2/14/2020	▲

TITLE	PIAZZA PRODUCT APPLICATION
CUSTOMER	PIAZZA STONE

PROJECT	PIAZZA TRACK PRODUCTS
SHEET TITLE	OUTSIDE RETURN w/ 3" RETURN SMALL STONE

**COPYRIGHT NOTICE**  
 COPYRIGHT IS RETAINED BY  
 PIAZZA STONE LLC., FROM THE DATE OF  
 ISSUANCE OF THESE DOCUMENTS.  
 DUPLICATION OF THESE DOCUMENTS OR  
 THE WORK REPRESENTED BY THEM IS  
 PROHIBITED WITHOUT THE EXPRESS  
 WRITTEN CONSENT OF PIAZZA STONE LLC.

PIAZZA TRACK AND PIAZZA CLIPS  
 ARE MANUFACTURED  
 EXCLUSIVELY BY  
 THE STEEL NETWORK, Inc. (TSN).  
 US Patent #7,503,150  
[www.steelnetwork.com](http://www.steelnetwork.com)

*OUTSIDE CORNER, LARGE STONE w/ RETURN  
APPLICATION UTILIZING PIAZZA PT12-54 COMPONENTS  
MANUFACTURED BY  
The Steel Network, Inc.  
(888) 474-4876.  
EXCLUSIVELY FOR PIAZZA STONeworkS*

*Piazza  
PZ-18-97  
Used as Leveling Support  
for Large Adjacent Stones*

*3.000"  
Minimum Return*

*Structure*

*Light Weight  
Stone  
100-200lbs*

*Piazza  
PTLB600-54*

*Piazza  
PTLB400-54  
PTLA-54*



DRAWING NUMBER		REVISION	
DRAWN	CHECKED	△	
cbs	mjh	△	
SHEET	DATE	△	
	2/14/2020	△	

TITLE
PIAZZA PRODUCT APPLICATION
CUSTOMER
PIAZZA STONE

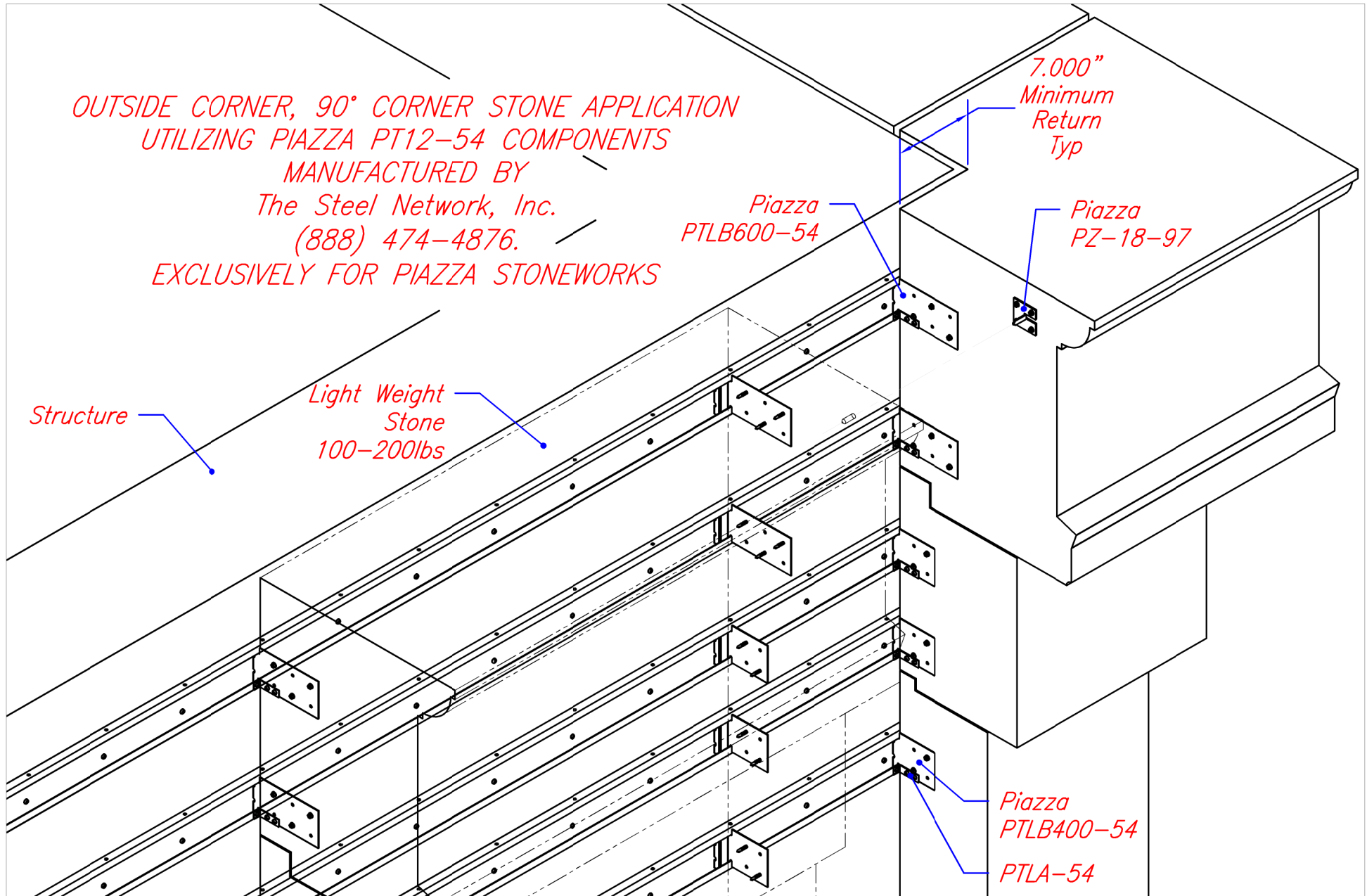
PROJECT
PIAZZA TRACK PRODUCTS
SHEET TITLE
OUTSIDE CORNER w/ 3" RETURN LARGE STONE

**COPYRIGHT NOTICE**  
COPYRIGHT IS RETAINED BY  
PIAZZA STONE LLC., FROM THE DATE OF  
ISSUANCE OF THESE DOCUMENTS.  
DUPLICATION OF THESE DOCUMENTS OR  
THE WORK REPRESENTED BY THEM IS  
PROHIBITED WITHOUT THE EXPRESS  
WRITTEN CONSENT OF PIAZZA STONE LLC.

PIAZZA TRACK AND PIAZZA CLIPS  
ARE MANUFACTURED  
EXCLUSIVELY BY  
THE STEEL NETWORK, Inc. (TSN).  
US Patent #7,503,150  
[www.steelnetwork.com](http://www.steelnetwork.com)



*OUTSIDE CORNER, 90° CORNER STONE APPLICATION  
 UTILIZING PIAZZA PT12-54 COMPONENTS  
 MANUFACTURED BY  
 The Steel Network, Inc.  
 (888) 474-4876.  
 EXCLUSIVELY FOR PIAZZA STONeworkS*



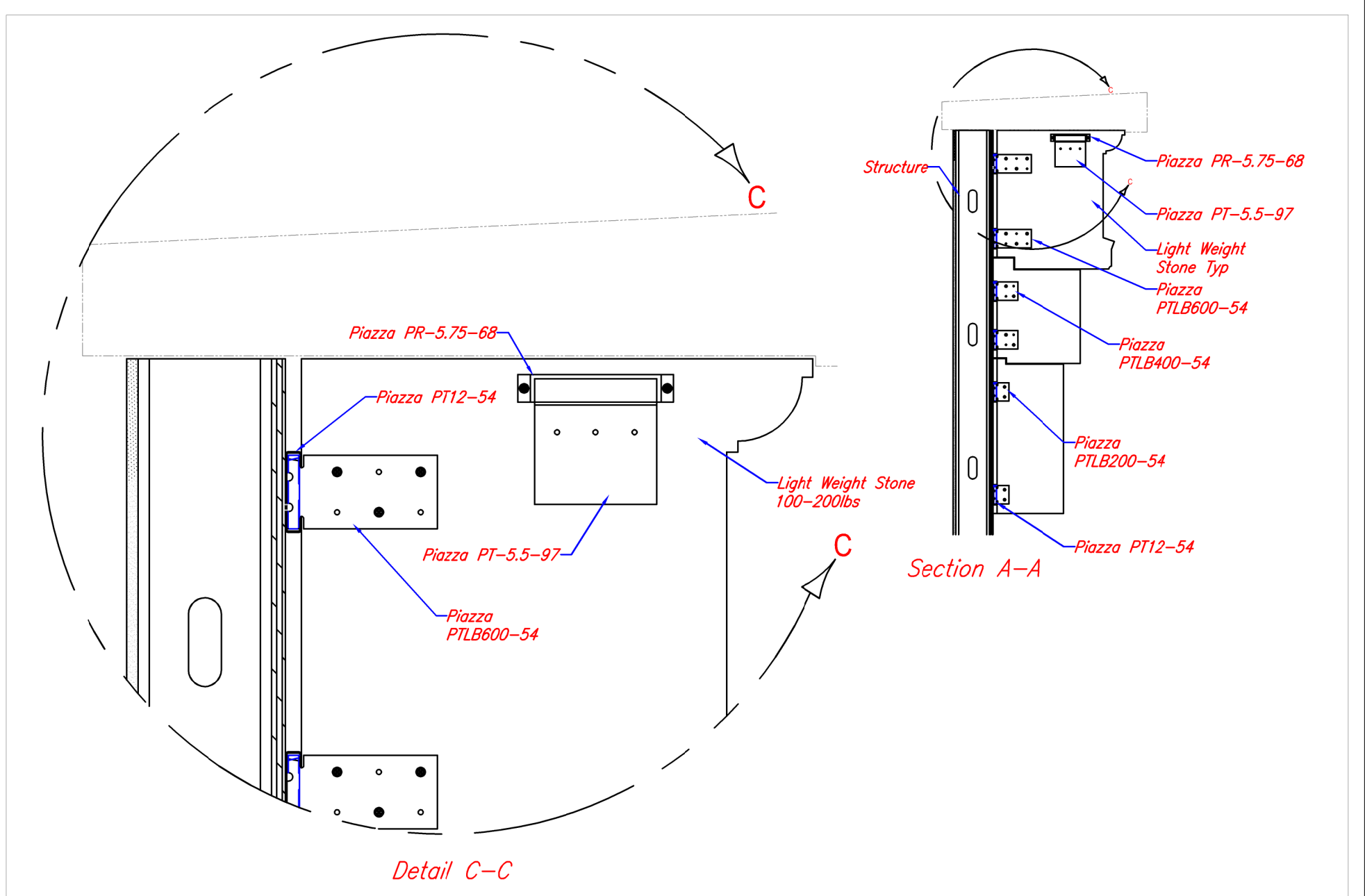
DRAWING NUMBER		REVISION
DRAWN	CHECKED	▲
cbs	mjh	▲
SHEET	DATE	▲
	2/14/2020	▲

TITLE	PIAZZA PRODUCT APPLICATION
CUSTOMER	PIAZZA STONE

PROJECT	PIAZZA TRACK PRODUCTS
SHEET TITLE	OUTSIDE CORNER w/ 90° CORNER STONE

**COPYRIGHT NOTICE**  
 COPYRIGHT IS RETAINED BY  
 PIAZZA STONE LLC., FROM THE DATE OF  
 ISSUANCE OF THESE DOCUMENTS.  
 DUPLICATION OF THESE DOCUMENTS OR  
 THE WORK REPRESENTED BY THEM IS  
 PROHIBITED WITHOUT THE EXPRESS  
 WRITTEN CONSENT OF PIAZZA STONE LLC.

PIAZZA TRACK AND PIAZZA CLIPS  
 ARE MANUFACTURED  
 EXCLUSIVELY BY  
 THE STEEL NETWORK, Inc. (TSN).  
 US Patent #7,503,150  
[www.steelnetwork.com](http://www.steelnetwork.com)



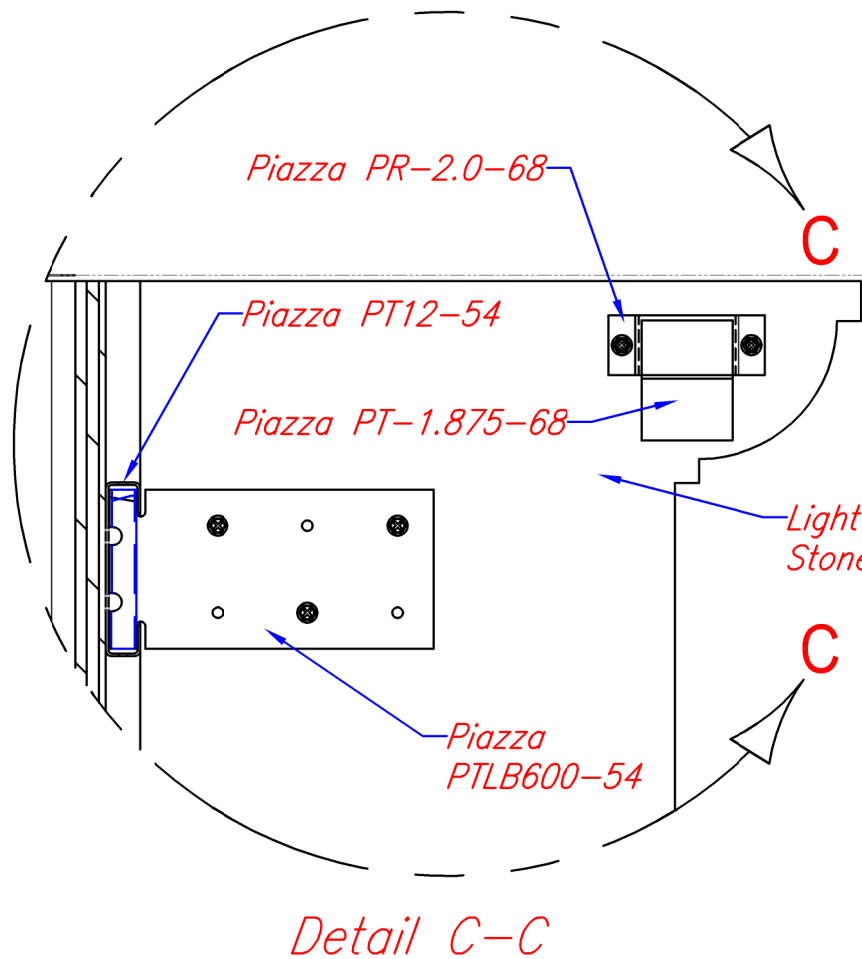
DRAWING NUMBER		REVISION	
DRAWN	CHECKED	▲	
cbs	mjh	▲	
SHEET	DATE	▲	
	2/14/2020	▲	

TITLE	PIAZZA PRODUCT APPLICATION
CUSTOMER	PIAZZA STONE

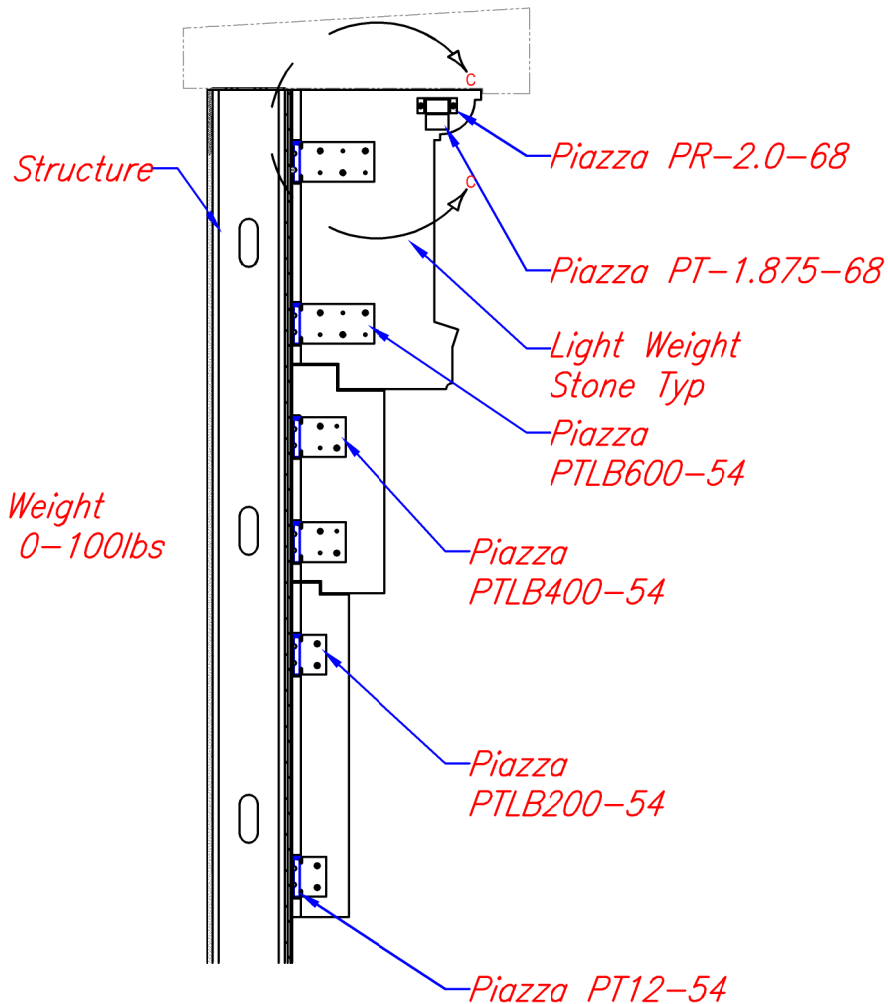
PROJECT	PIAZZA TRACK PRODUCTS
SHEET TITLE	PIAZZA TRACK OUTSIDE RETURN LARGE STONE SECTION A-A

**COPYRIGHT NOTICE**  
 COPYRIGHT IS RETAINED BY  
 PIAZZA STONE LLC., FROM THE DATE OF  
 ISSUANCE OF THESE DOCUMENTS.  
 DUPLICATION OF THESE DOCUMENTS OR  
 THE WORK REPRESENTED BY THEM IS  
 PROHIBITED WITHOUT THE EXPRESS  
 WRITTEN CONSENT OF PIAZZA STONE LLC.

PIAZZA TRACK AND PIAZZA CLIPS  
 ARE MANUFACTURED  
 EXCLUSIVELY BY  
 THE STEEL NETWORK, Inc. (TSN).  
 US Patent #7,503,150  
[www.steelnetwork.com](http://www.steelnetwork.com)



Detail C-C



Section A-A



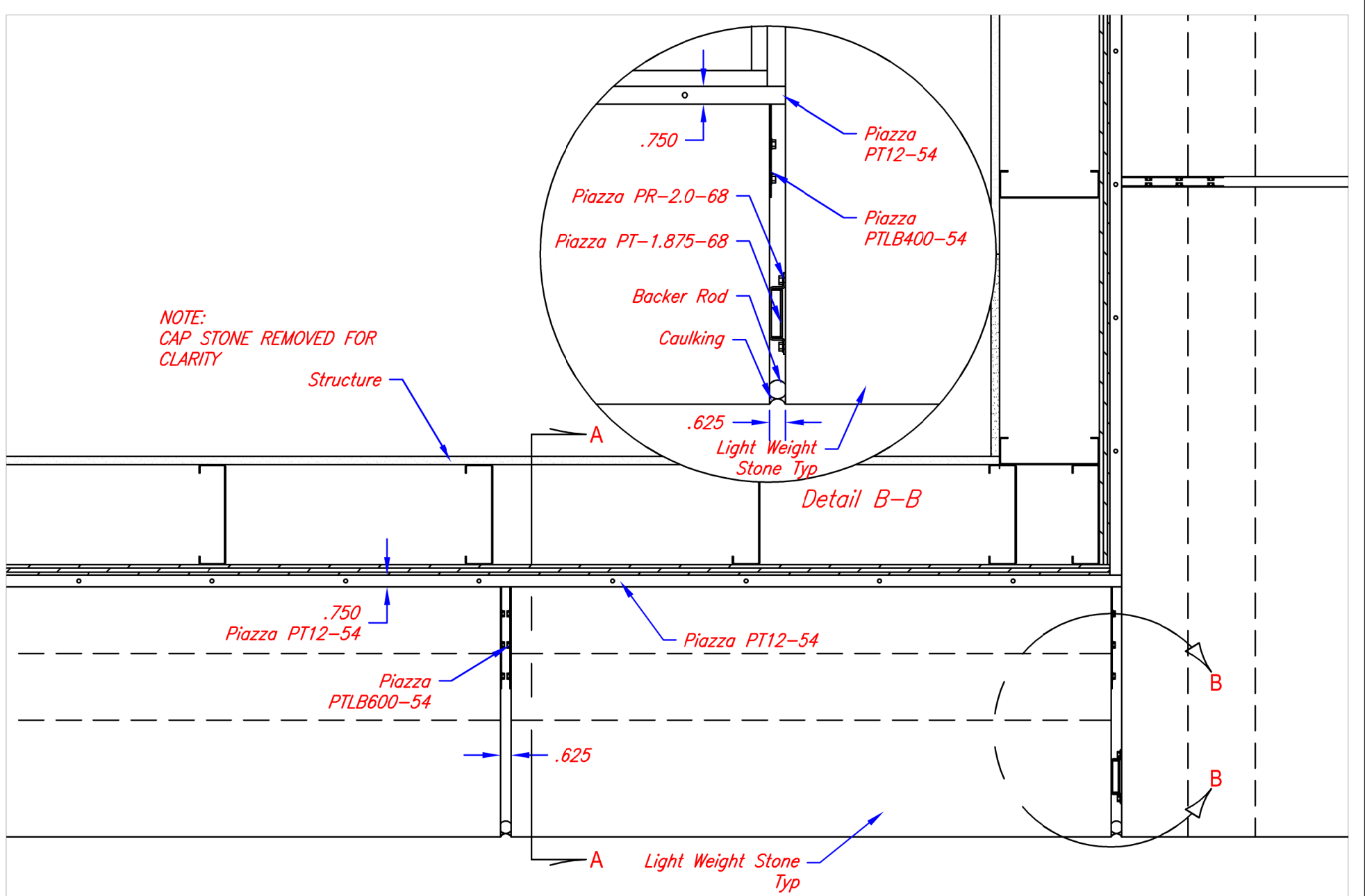
DRAWING NUMBER		REVISION
DRAWN	CHECKED	▲
cbs	mjh	▲
SHEET	DATE	▲
	2/14/2020	▲

TITLE	PIAZZA PRODUCT APPLICATION
CUSTOMER	PIAZZA STONE

PROJECT	PIAZZA TRACK PRODUCTS
SHEET TITLE	PIAZZA TRACK OUTSIDE RETURN SECTION A-A

**COPYRIGHT NOTICE**  
 COPYRIGHT IS RETAINED BY  
 PIAZZA STONE LLC., FROM THE DATE OF  
 ISSUANCE OF THESE DOCUMENTS.  
 DUPLICATION OF THESE DOCUMENTS OR  
 THE WORK REPRESENTED BY THEM IS  
 PROHIBITED WITHOUT THE EXPRESS  
 WRITTEN CONSENT OF PIAZZA STONE LLC.

PIAZZA TRACK AND PIAZZA CLIPS  
 ARE MANUFACTURED  
 EXCLUSIVELY BY  
 THE STEEL NETWORK, Inc. (TSN).  
 US Patent #7,503,150  
[www.steelnetwork.com](http://www.steelnetwork.com)



NOTE:  
CAP STONE REMOVED FOR  
CLARITY



DRAWING NUMBER		REVISION
DRAWN	CHECKED	▲
cbs	mjh	▲
SHEET	DATE	▲
	2/14/2020	▲

TITLE	PIAZZA PRODUCT APPLICATION
CUSTOMER	PIAZZA STONE

PROJECT	PIAZZA TRACK PRODUCTS
SHEET TITLE	INSTALLATION METHOD PIAZZA TRACK OUTSIDE RETURN

**COPYRIGHT NOTICE**  
 COPYRIGHT IS RETAINED BY  
 PIAZZA STONE LLC., FROM THE DATE OF  
 ISSUANCE OF THESE DOCUMENTS.  
 DUPLICATION OF THESE DOCUMENTS OR  
 THE WORK REPRESENTED BY THEM IS  
 PROHIBITED WITHOUT THE EXPRESS  
 WRITTEN CONSENT OF PIAZZA STONE LLC.

PIAZZA TRACK AND PIAZZA CLIPS  
 ARE MANUFACTURED  
 EXCLUSIVELY BY  
 THE STEEL NETWORK, Inc. (TSN).  
 US Patent #7,503,150  
[www.steelnetwork.com](http://www.steelnetwork.com)