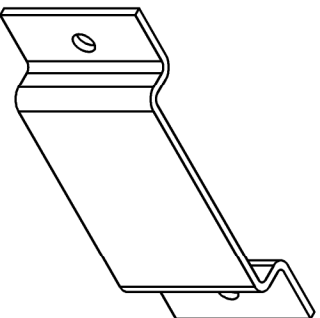
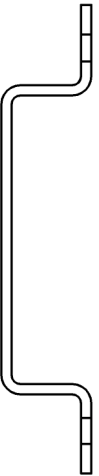


*Confidential: Piazza PR-2.0-68*  
*68mil Min Thickness*  
*50ksi Min Yield Strength*  
*G90 Min Coating Weight*



*Note: PR-2.0-68 To Be Used  
 On Stone With Max Weight of 100lbs Or Less*



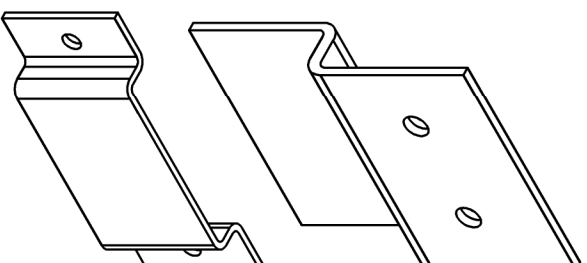
DRAWING NUMBER	PR-2.0-68	REVISION	
DRAWN	cbs	CHECKED	mjh
SHEET	2/14/2020	DATE	

TITLE	PIAZZA PRODUCT DETAIL
CUSTOMER	PIAZZA STONEWORKS

PROJECT	PIAZZA PART w/ ISO
SHEET TITLE	NO DIMS
	PIAZZA PR-2.0-68

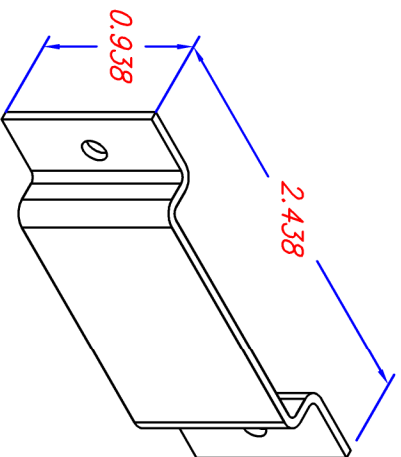
**COPYRIGHT NOTICE**  
 COPYRIGHT IS RETAINED BY  
 PIAZZA STONE LLC. FROM THE DATE OF  
 PUBLICATION OF THESE DOCUMENTS OR  
 THE WORK REPRESENTED BY THEM IS  
 PROHIBITED WITHOUT THE EXPRESS  
 WRITTEN CONSENT OF PIAZZA STONE LLC.

PIAZZA TRACK AND PIAZZA CLIPS  
 ARE MANUFACTURED  
 EXCLUSIVELY BY  
 THE STEEL NETWORK, INC. (TSN),  
 US Patent #7,503,150  
[www.steelnetwork.com](http://www.steelnetwork.com)



*Note: PR-2.0-68 To Be Used in  
Conjunction With PT-1.875-68*

*Note: PR-2.0-68 To Be Used  
On Stone With Max Weight of 100lbs Or Less*



*Confidential: Piazza PR-2.0-68*



DRAWING NUMBER	PR-2.0-68	CHECKED	REVISION
DRAWN	cbs	mjh	
SHEET		DATE	
		2/14/2020	

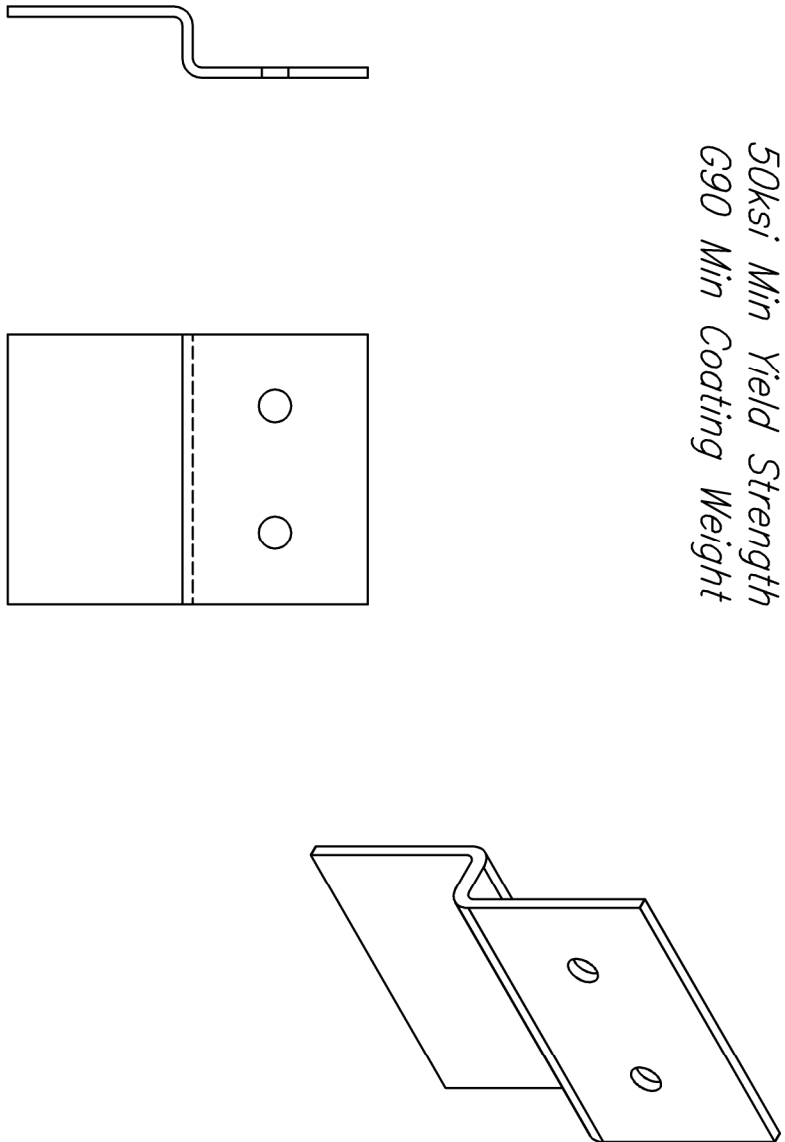
TITLE	PIAZZA PRODUCT DETAIL
CUSTOMER	PIAZZA STONWORKS

PROJECT	PIAZZA WEBSITE
SHEET TITLE	PIAZZA PR-2.0-68

**COPYRIGHT NOTICE**  
 COPYRIGHT IS RETAINED BY  
 PIAZZA STONE LLC. FROM THE DATE OF  
 PUBLICATION OF THESE DOCUMENTS OR  
 THE WORK REPRESENTED BY THEM IS  
 PROHIBITED WITHOUT THE EXPRESS  
 WRITTEN CONSENT OF PIAZZA STONE LLC.

PIAZZA TRACK AND PIAZZA CLIPS  
 ARE MANUFACTURED  
 EXCLUSIVELY BY  
 THE STEEL NETWORK, INC. (TSN),  
 US Patent #7,503,150  
[www.steelnetwork.com](http://www.steelnetwork.com)

*Confidential: Piazza PT-1.875-68*  
*68mil Min Thickness*  
*50ksi Min Yield Strength*  
*G90 Min Coating Weight*



*Note: PT-1.875-68 To Be Used  
 On Stone With Max Weight of 100lbs Or Less*



DRAWING NUMBER		REVISION
PT-1.875-68	CHECKED	Δ
DRAWN	DATE	Δ
cbs	2/14/2020	Δ
SHEET		Δ
		Δ

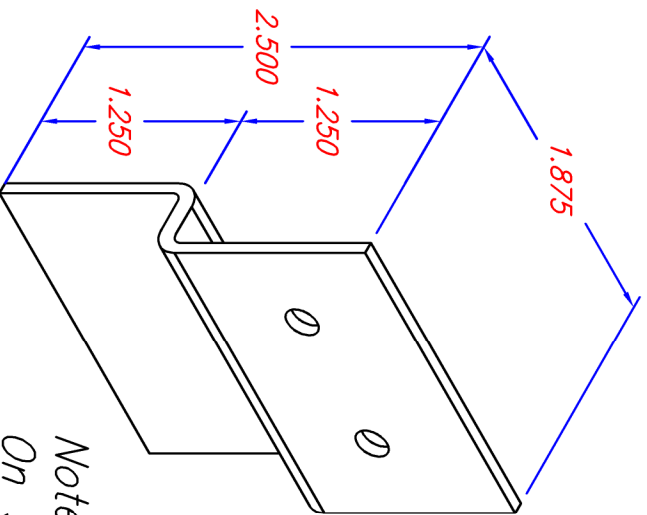
TITLE
PIAZZA PRODUCT DETAIL
CUSTOMER
PIAZZA STONWORKS

PROJECT
PIAZZA PART w/ ISO
NO DIMS
SHEET TITLE
PIAZZA PT-1.875-68

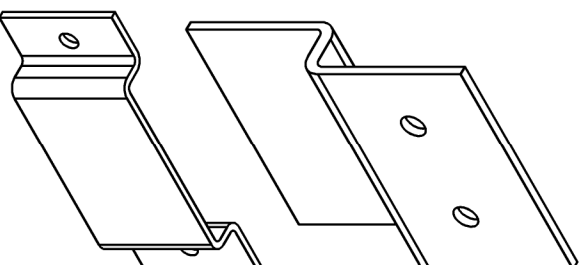
**COPYRIGHT NOTICE**  
 COPYRIGHT IS RETAINED BY  
 PIAZZA STONE LLC. FROM THE DATE OF  
 PUBLICATION OF THESE DOCUMENTS OR  
 THE WORK REPRESENTED BY THEM IS  
 PROHIBITED WITHOUT THE EXPRESS  
 WRITTEN CONSENT OF PIAZZA STONE LLC.

**PIAZZA TRACK AND PIAZZA CLIPS  
 ARE MANUFACTURED  
 EXCLUSIVELY BY  
 THE STEEL NETWORK, INC. (TSN),  
 US Patent #7,503,150  
 www.steelnetwork.com**





*Note: PT-1.875-68 To Be Used  
On Stone With Max Weight of 100lbs Or Less*



*Note: PT-1.875-68 To Be Used in  
Conjunction With PR-2.0-68*

*Confidential: Piazza PT-1.875-68*



DRAWING NUMBER	PT-1.875-68	REVISION	
DRAWN	cbs	CHECKED	mjh
SHEET	2/14/2020	DATE	

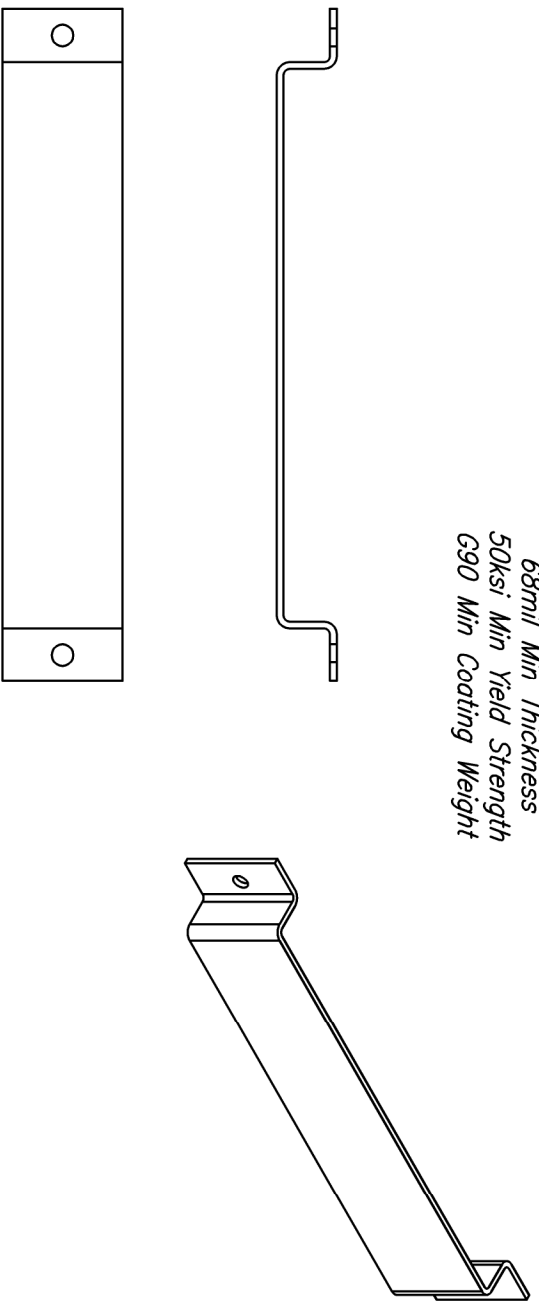
TITLE	PIAZZA PRODUCT DETAIL
CUSTOMER	PIAZZA STONWORKS

PROJECT	PIAZZA WEBSITE
SHEET TITLE	PIAZZA PT-1.875-68

COPYRIGHT NOTICE  
COPYRIGHT IS RETAINED BY  
PIAZZA STONE LLC. FROM THE DATE OF  
ISSUANCE OF THIS DOCUMENT. NO  
DUPLICATION OF THESE DOCUMENTS OR  
THE WORK REPRESENTED BY THEM IS  
PROHIBITED WITHOUT THE EXPRESS  
WRITTEN CONSENT OF PIAZZA STONE LLC.

PIAZZA TRACK AND PIAZZA CLIPS  
ARE MANUFACTURED  
EXCLUSIVELY BY  
THE STEEL NETWORK, INC. (TSN),  
US Patent #7,503,150  
[www.steelnetwork.com](http://www.steelnetwork.com)

*Confidential: Piazza PR-5.75-68  
 68mil Min Thickness  
 50ksi Min Yield Strength  
 G90 Min Coating Weight*



*Note: PR-5.75-68 To Be Used  
 On Stone With Max Weight of 100-200lbs.*



DRAWING NUMBER		PR-5.75-68
DRAWN	CHECKED	
cbs	mjh	
SHEET	DATE	2/14/2020
REVISION		
Δ		
Δ		
Δ		
Δ		

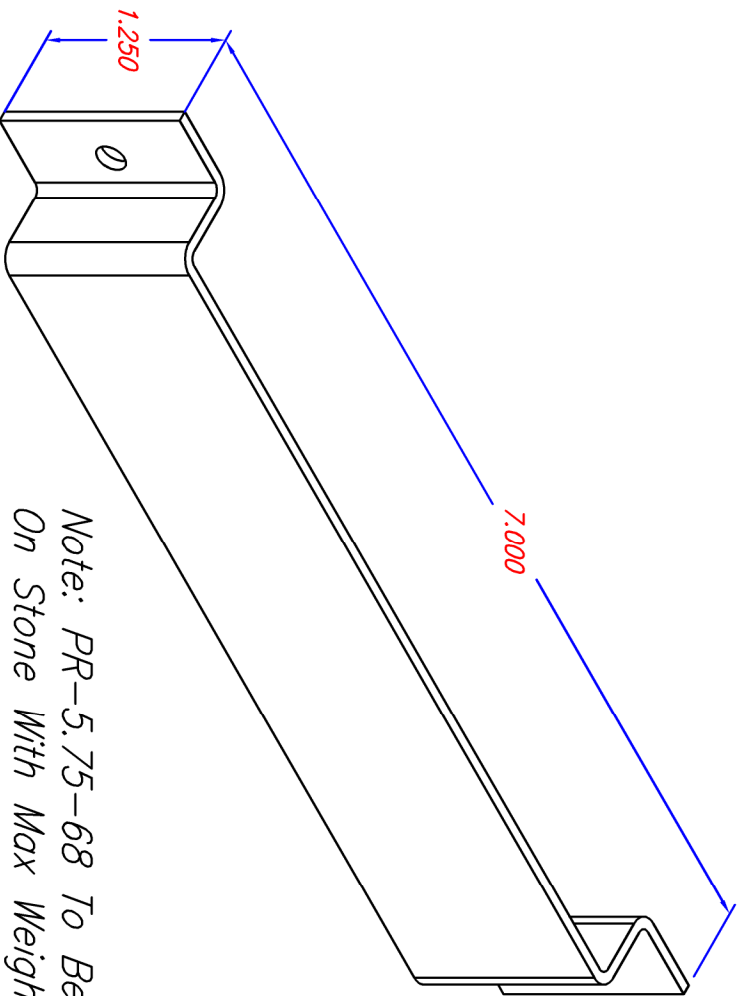
TITLE	PIAZZA PRODUCT DETAIL
CUSTOMER	PIAZZA STONWORKS

PROJECT	PIAZZA PART w/ ISO
SHEET TITLE	NO DIMS
	PIAZZA PR-5.75-68

COPYRIGHT NOTICE  
 COPYRIGHT IS RETAINED BY  
 PIAZZA STONE LLC. FROM THE DATE OF  
 PUBLICATION OF THESE DOCUMENTS OR  
 THE WORK REPRESENTED BY THEM IS  
 PROHIBITED WITHOUT THE EXPRESS  
 WRITTEN CONSENT OF PIAZZA STONE LLC.

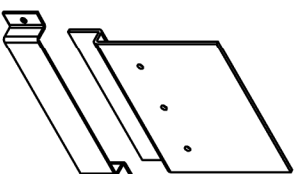
PIAZZA TRACK AND PIAZZA CLIPS  
 ARE MANUFACTURED  
 EXCLUSIVELY BY  
 THE STEEL NETWORK, INC. (TSN),  
 US Patent #7,503,150  
[www.steelnetwork.com](http://www.steelnetwork.com)





*Note: PR-5.75-68 To Be Used  
On Stone With Max Weight of 100-200lbs.*

*Note: PR-5.75-68 To Be Used in  
Conjunction With PT-5.5-97*



*Confidential: Piazza PR-5.75-68*



DRAWING NUMBER	PR-5.75-68	REVISION	
DRAWN	cbs	CHECKED	mjh
SHEET	2/14/2020	DATE	

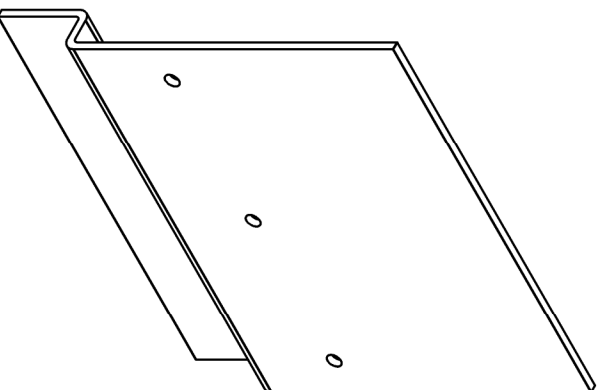
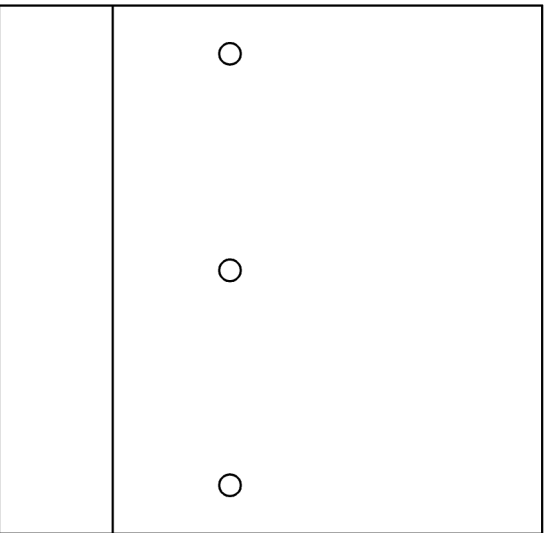
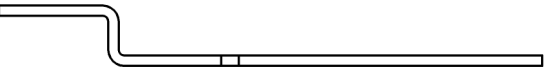
TITLE	PIAZZA PRODUCT DETAIL
CUSTOMER	PIAZZA STONEWORKS

PROJECT	PIAZZA WEBSITE
SHEET TITLE	PIAZZA PR-5.75-68

**COPYRIGHT NOTICE**  
 COPYRIGHT IS RETAINED BY  
 PIAZZA STONE LLC. FROM THE DATE OF  
 PUBLICATION OF THESE DOCUMENTS OR  
 THE WORK REPRESENTED BY THEM IS  
 PROHIBITED WITHOUT THE EXPRESS  
 WRITTEN CONSENT OF PIAZZA STONE LLC.

**PIAZZA TRACK AND PIAZZA CLIPS  
 ARE MANUFACTURED  
 EXCLUSIVELY BY  
 THE STEEL NETWORK, INC. (TSN),  
 US Patent #7,503,150  
 www.steelnetwork.com**

*Confidential: Piazza PT-5.5-97*  
*97mil Min Thickness*  
*50ksi Min Yield Strength*  
*G90 Min Coating Weight*



*Note: PT-5.5-97 To Be Used  
 On Stone With Max Weight of 100-200lbs.*



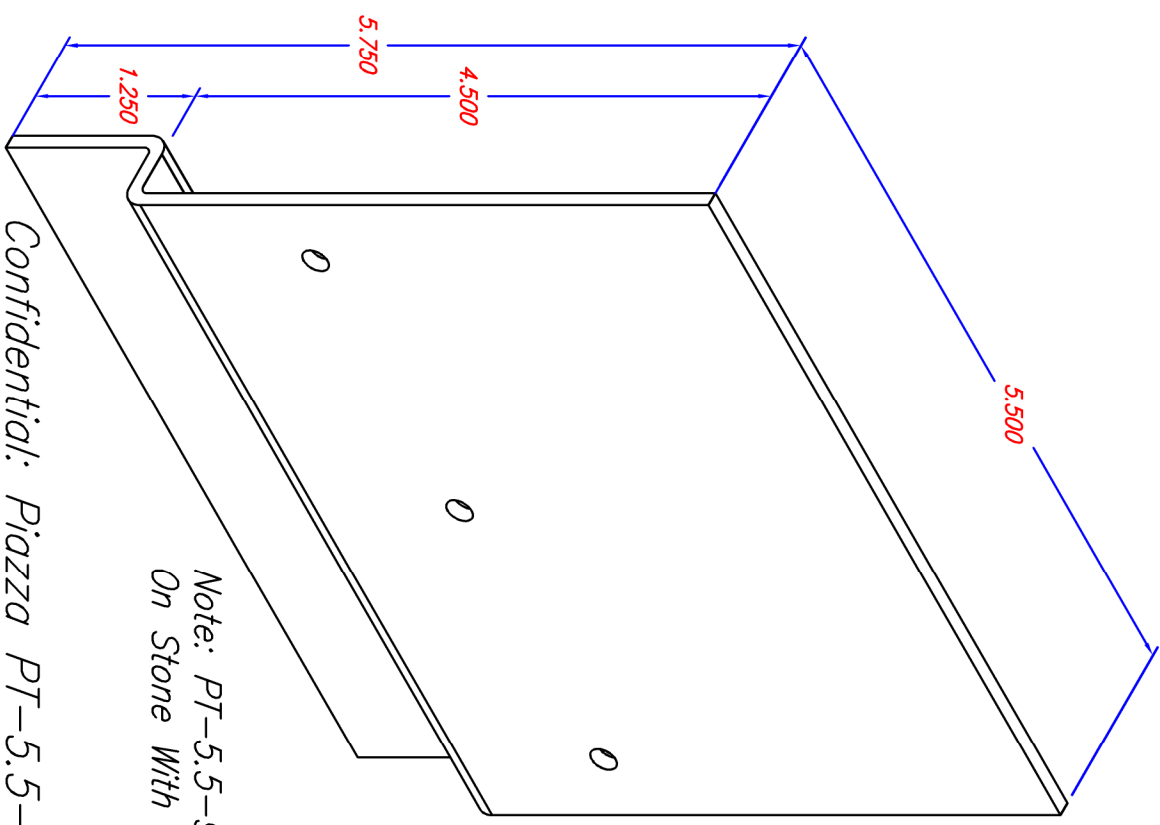
DRAWING NUMBER		REVISION	
PT-5.5-97		5/8/20 Hole Locations	
DRAWN	CHECKED	DATE	DATE
cbs	mjh	2/14/2020	
SHEET			

TITLE	PIAZZA PRODUCT DETAIL
CUSTOMER	PIAZZA STONWORKS

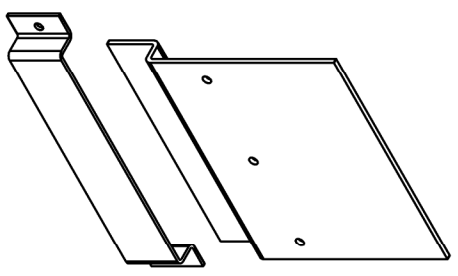
PROJECT	PIAZZA PART w/ ISO NO DIMS
SHEET TITLE	PIAZZA PT-5.5-97

**COPYRIGHT NOTICE**  
 COPYRIGHT IS RETAINED BY PIAZZA STONE LLC. FROM THE DATE OF PUBLICATION OF THESE DOCUMENTS OR THE WORK REPRESENTED BY THEM IS PROHIBITED WITHOUT THE EXPRESS WRITTEN CONSENT OF PIAZZA STONE LLC.

PIAZZA TRACK AND PIAZZA CLIPS ARE MANUFACTURED EXCLUSIVELY BY THE STEEL NETWORK, INC. (TSN), US Patent #7,503,150  
[www.steelnetwork.com](http://www.steelnetwork.com)



*Confidential: Piazza PT-5.5-97*



*Note: PT-5.5-97 To Be Used in Conjunction With PR-5.75-68*

*Note: PT-5.5-97 To Be Used On Stone With Max Weight of 100-200lbs.*



DRAWING NUMBER		REVISION
PT-5.5-97		5/8/2020 Hole Locations
DRAWN	CHECKED	
cbs	mjh	
SHEET	DATE	
	2/14/2020	

TITLE	PIAZZA PRODUCT DETAIL
CUSTOMER	PIAZZA STONEWORKS

PROJECT	PIAZZA WEBSITE
SHEET TITLE	PIAZZA PT-5.5-97

COPYRIGHT NOTICE  
 COPYRIGHT IS RETAINED BY  
 PIAZZA STONE LLC. FROM THE DATE OF  
 PUBLICATION OF THESE DOCUMENTS OR  
 THE WORK REPRESENTED BY THEM IS  
 PROHIBITED WITHOUT THE EXPRESS  
 WRITTEN CONSENT OF PIAZZA STONE LLC.

PIAZZA TRACK AND PIAZZA CLIPS  
 ARE MANUFACTURED  
 EXCLUSIVELY BY  
 THE STEEL NETWORK, INC. (TSN),  
 US Patent #7,503,150  
[www.steelnetwork.com](http://www.steelnetwork.com)

