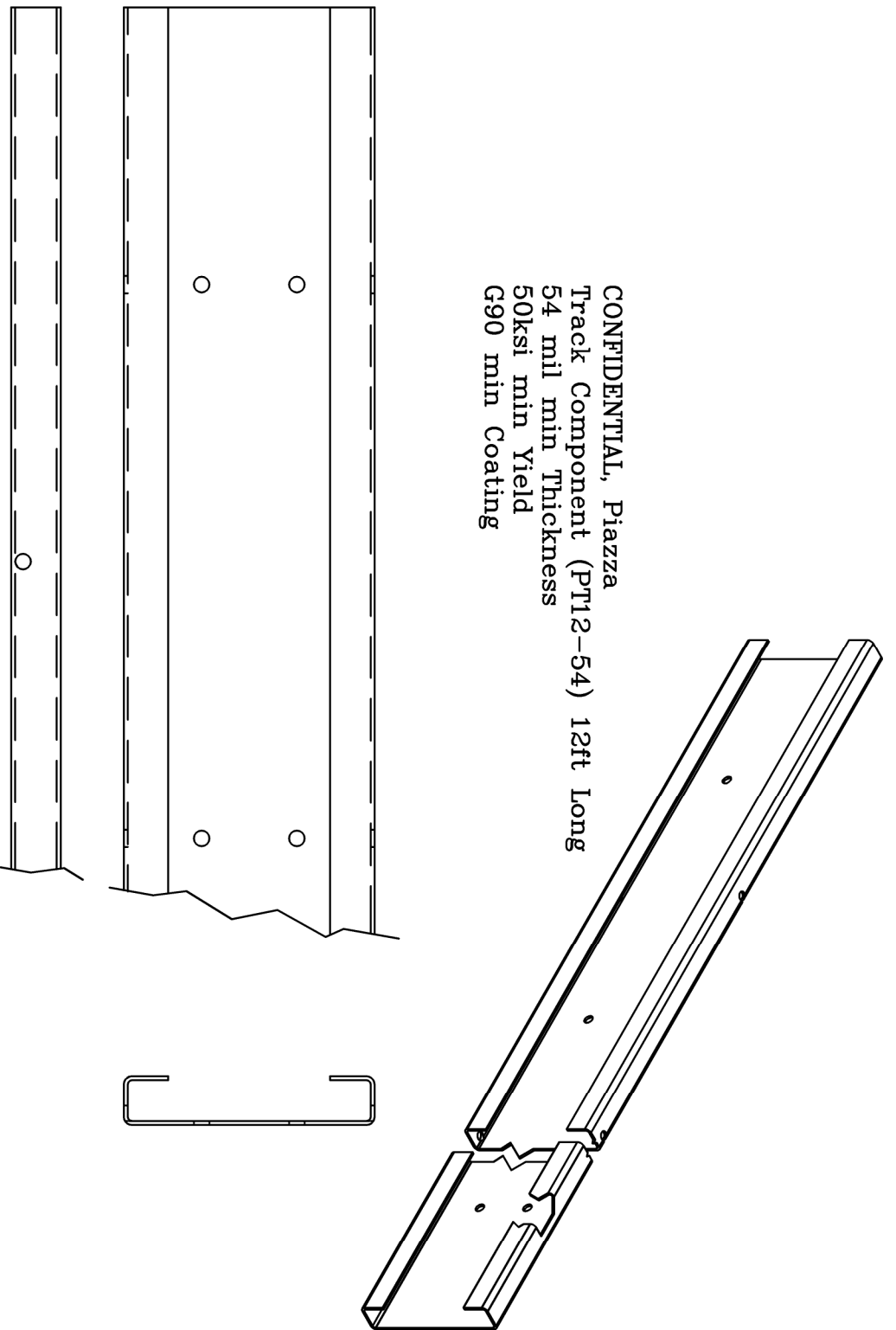


CONFIDENTIAL, Piazza
 Track Component (PT12-54) 12ft Long
 54 mil min Thickness
 50ksi min Yield
 G90 min Coating



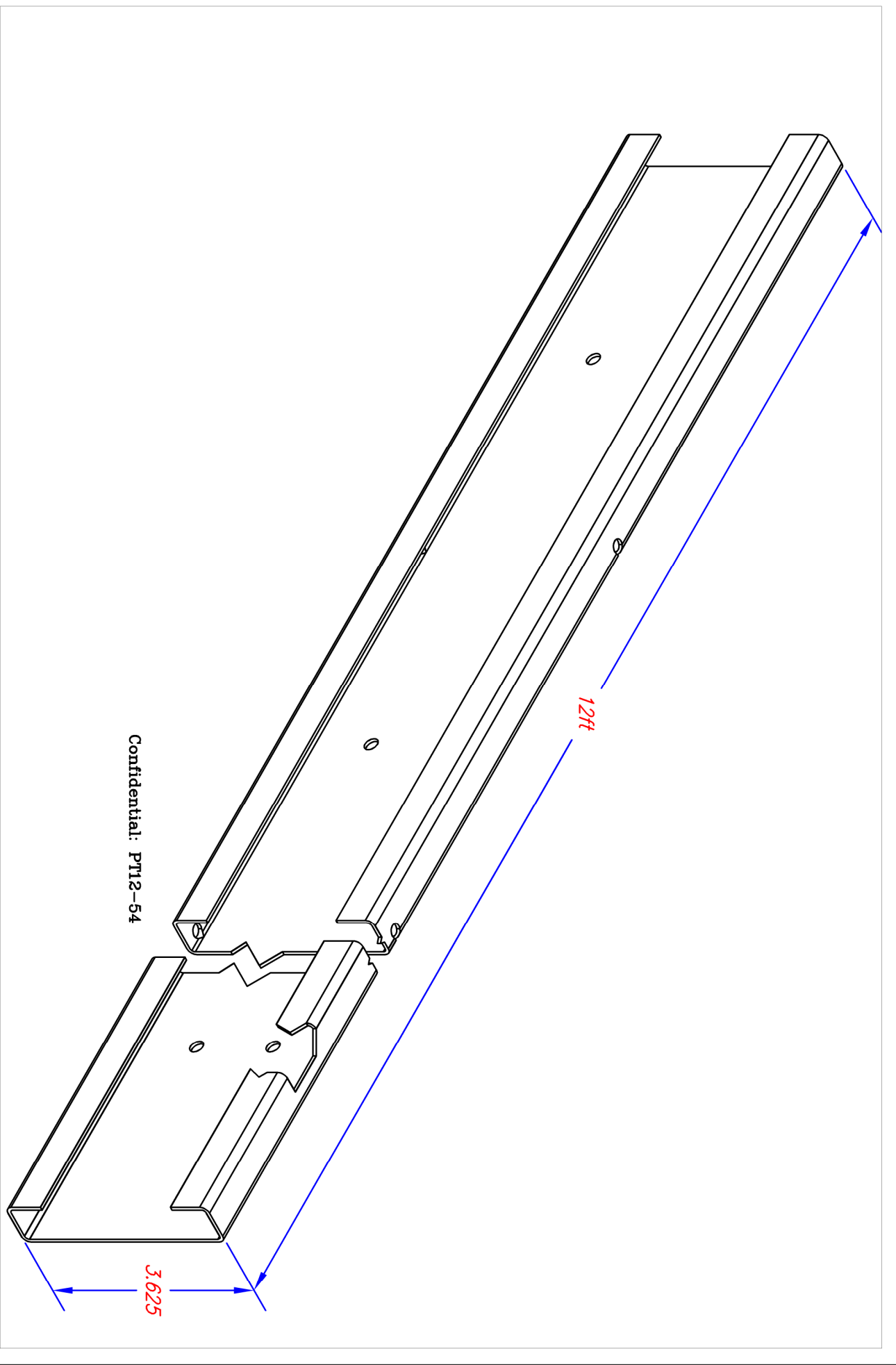
DRAWING NUMBER		PT12-54
DRAWN	CHECKED	
cbs	mjh	
SHEET	DATE	6/4/2021
REVISION		
Δ		
Δ		
Δ		
Δ		

TITLE
 PIAZZA PRODUCT DETAIL
 CUSTOMER
 PIAZZA STONEWORKS

PROJECT
 PIAZZA PRODUCT W/ ISO
 SHEET TITLE
 PIAZZA PT12-54

COPYRIGHT NOTICE
 COPYRIGHT IS RETAINED BY PIAZZA STONE LLC. FROM THE DATE OF PUBLICATION OF THESE DOCUMENTS OR THE WORK REPRESENTED BY THEM IS PROHIBITED WITHOUT THE EXPRESS WRITTEN CONSENT OF PIAZZA STONE LLC.

PIAZZA TRACK AND PIAZZA CLIPS ARE MANUFACTURED EXCLUSIVELY BY THE STEEL NETWORK, INC. (TSN).
 US Patent #/ 503,150
www.steelnetwork.com



Confidential: PT12-54



DRAWING NUMBER		PT12-54
DRAWN	CHECKED	
cbs	mjh	
SHEET	DATE	6/4/2021
REVISION		
Δ		
Δ		
Δ		
Δ		

TITLE	PIAZZA PRODUCT DETAIL
CUSTOMER	PIAZZA STONeworks

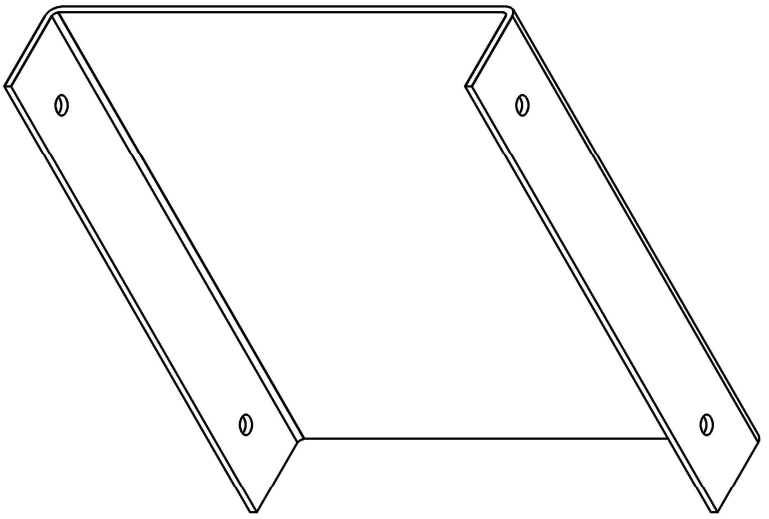
PROJECT	PIAZZA WEBSITE
SHEET TITLE	PIAZZA PT12-54

COPYRIGHT NOTICE
 COPYRIGHT IS RETAINED BY
 PIAZZA STONE LLC. FROM THE DATE OF
 PUBLICATION OF THESE DOCUMENTS OR
 THE WORK REPRESENTED BY THEM IS
 PROHIBITED WITHOUT THE EXPRESS
 WRITTEN CONSENT OF PIAZZA STONE LLC.

PIAZZA TRACK AND PIAZZA CLIPS
 ARE MANUFACTURED
 EXCLUSIVELY BY
 THE STEEL NETWORK, INC. (TSN),
 US Patent #7,503,150
www.steelnetwork.com



Confidential:
 PTC400-54
 54mil Min Thickness
 50ksi Min Yield
 G90 Min Coating



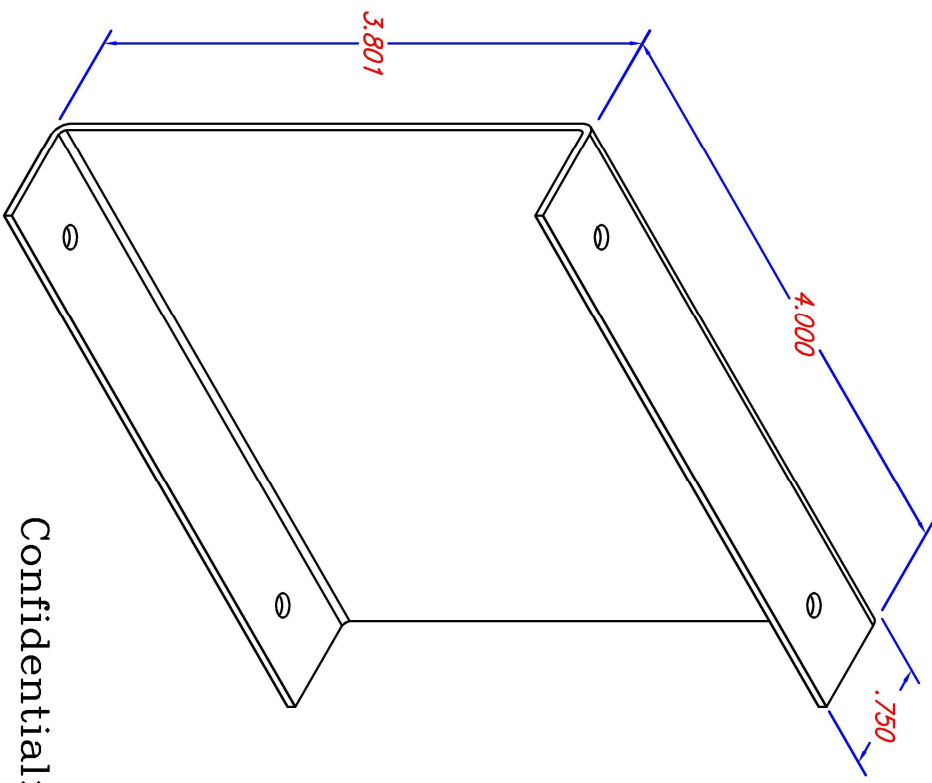
DRAWING NUMBER		PTC400-54	REVISION
DRAWN	CHECKED		
CBS	mjh		
SHEET	DATE		
	1/6/2020		

TITLE	PIAZZA PRODUCT DETAIL
CUSTOMER	PIAZZA STONENETWORKS

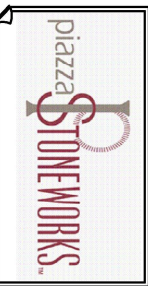
PROJECT	PIAZZA PRODUCT W/ ISO
SHEET TITLE	PIAZZA PTC400-54

COPYRIGHT NOTICE
 COPYRIGHT IS RETAINED BY
 PIAZZA STONE LLC. FROM THE DATE OF
 ISSUANCE OF THESE DOCUMENTS.
 DUPLICATION OF THESE DOCUMENTS OR
 THE WORK REPRESENTED BY THEM IS
 PROHIBITED WITHOUT THE EXPRESS
 WRITTEN CONSENT OF PIAZZA STONE LLC.

PIAZZA TRACK AND PIAZZA GIRPS
 ARE MANUFACTURED
 EXCLUSIVELY BY
 THE STEEL-NETWORK, INC. (TSN),
 US Patent #7,503,190
www.steelnetwork.com



Confidential: PTC400-54



PART NUMBER		REVISION	
PTC400-54			
DRAWN	APPROVED		
cbs	mjh		
DATE	DATE		
1/4/2021	1/4/2021		

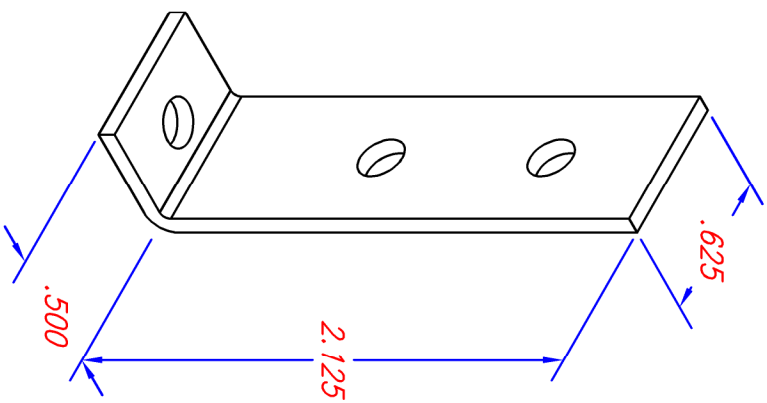
MATERIAL SPECIFICATION
ASTM A 1003 ST150H
50ksi Min Yield Strength
65ksi Min Tensile Strength
0.0538" Min Base Metal Thickness
0.0563" Min Coated Thickness
G90 Min Coating or Approved Equivalent

TOLERANCE	
1.00" and Under:	±0.031"
1.00"-2.00":	±0.047"
Over 2.00":	±0.062"
Holes and Slots:	±0.005"
Angles:	±1.5°
Inside Radius = 1.5(Thickness)	

HARD COPY LOCATIONS
Production File
Master/Clip Folder

COPYRIGHT NOTICE
 COPYRIGHT IS RETAINED BY
 PIAZZA STONE LLC. FROM THE DATE
 OF THIS DRAWING. ANY REPRODUCTION
 OR THE WORK REPRESENTED BY
 THEM IS PROHIBITED WITHOUT THE
 EXPRESS WRITTEN CONSENT OF
 PIAZZA STONE LLC.

PIAZZA TRACK AND PIAZZA CLIPS
 ARE MANUFACTURED
 EXCLUSIVELY BY
 THE STEEL NETWORK, INC. (TSN),
 US Patent #7,503,150
www.steelnetwork.com



Confidential: Piazza PTLA-54



DRAWING NUMBER PTLA-54		REVISION	
DRAWN cbs	CHECKED mjh	Δ Leg Dim to .50	
SHEET	DATE 2/14/2020		

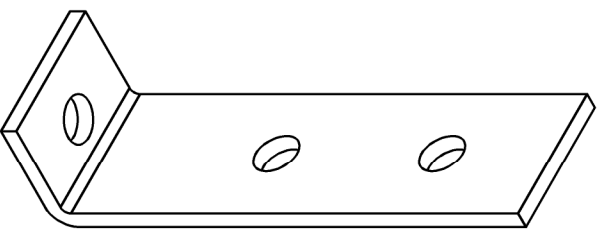
TITLE	PIAZZA PRODUCT DETAIL
CUSTOMER	PIAZZA STONEWORKS

PROJECT	PIAZZA WEBSITE
SHEET TITLE	PIAZZA PTLA-54

COPYRIGHT NOTICE
 COPYRIGHT IS RETAINED BY
 PIAZZA STONE LLC. FROM THE DATE OF
 PUBLICATION OF THESE DOCUMENTS OR
 THE WORK REPRESENTED BY THEM IS
 PROHIBITED WITHOUT THE EXPRESS
 WRITTEN CONSENT OF PIAZZA STONE LLC.

PIAZZA TRACK AND PIAZZA CLIPS
 ARE MANUFACTURED
 EXCLUSIVELY BY
 THE STEEL NETWORK, INC. (TSN),
 US Patent #7,503,150
www.steelnetwork.com





Confidential: Piazza PTLA-54



DRAWING NUMBER		PTLA-54
DRAWN	CHECKED	
cbs	mjh	
SHEET	DATE	2/14/2020
REVISION		

TITLE	PIAZZA PRODUCT DETAIL
CUSTOMER	PIAZZA STONWORKS

PROJECT	PIAZZA WEBSITE
SHEET TITLE	PIAZZA PTLA-54

COPYRIGHT NOTICE
 COPYRIGHT IS RETAINED BY
 PIAZZA STONE LLC. FROM THE DATE OF
 PUBLICATION OF THESE DOCUMENTS OR
 THE WORK REPRESENTED BY THEM IS
 PROHIBITED WITHOUT THE EXPRESS
 WRITTEN CONSENT OF PIAZZA STONE LLC.

**PIAZZA TRACK AND PIAZZA CLIPS
 ARE MANUFACTURED
 EXCLUSIVELY BY
 THE STEEL NETWORK, INC. (TSN),
 US Patent #7,503,150
 www.steelnetwork.com**

