

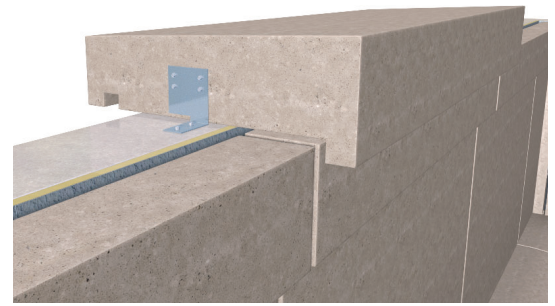
Piazza Connectors



Piazza connectors can be used with the Piazza Track system or individually to secure lightweight stone to the exterior of structures.

Material Composition

ASTM A1003/A1003M Structural Grade 50 (340) Type H, ST50H (ST340H): 50ksi (340MPa) minimum yield strength, 65ksi (450MPa) minimum tensile strength, 54mil minimum thickness (16 gauge, 0.0566" design thickness), 68mil minimum thickness (14 gauge, 0.0713" design thickness), or 97mil minimum thickness (12 gauge, 0.1017" design thickness), with ASTM A653/A653M G90 (Z275) hot dipped galvanized coating.



Piazza Connectors, Recommended Allowable Load (lbs): F2 & F3		
Clip	F2 Allowable Loads	F3 Allowable Loads
PT-1.875-68 & PR-2.0-68 System	N/A	116
PT-5.5-97 & PR-5.75-68 System	N/A	123
PZ-10-54	15	278
PZ-12-97 (L&R)	116	427
PZ-14-54	186	73
PZ-16-54	26	411
PZ-18-97	43	108
PZ-20-97	242	1,430
PUC225-54	392	105
PUC450-54	392	74

Notes:

- Allowable design loads have been developed for the clips based on AISI S100 Specification.
- Load data are for the steel clips only. The fastener pattern and eccentric loading evaluation on the fasteners is the responsibility of the design professional.
- Attachment of the clips to stone base material is the responsibility of the design professional.

Test Report R-5.10_10-28-20_PS:

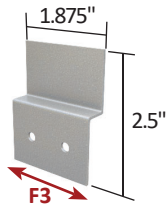
- Max. shear load per one fastener 74 lbs (Light Weight Stone)
- Max. tensile load per one fastener 111 lbs (Light Weight Stone)

Fastener pattern and eccentric loading evaluation is the responsibility of the design professional.

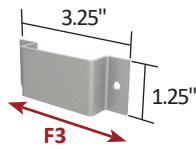
Fastener Attachment to Supporting Structure:

Attachment of steel track to structure is the responsibility of the design professional. Load rating would vary based on base material, project location, exposure, tributary area of the panels in the particular application.

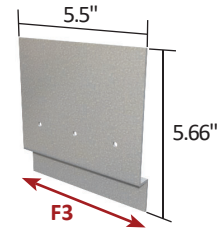
PT-1.875-68



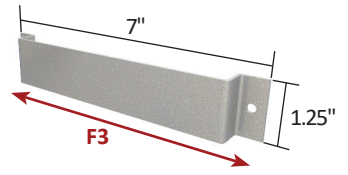
PR-2.0-68



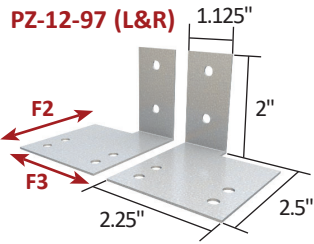
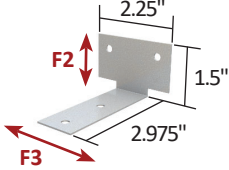
PT-5.5-97



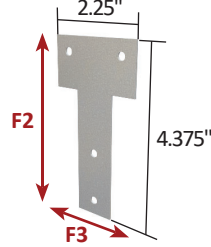
PR-5.75-68



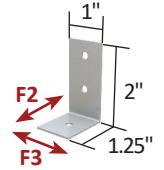
PZ-10-54



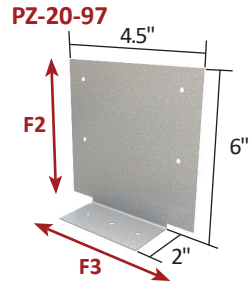
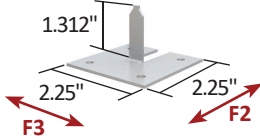
PZ-14-54



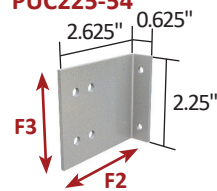
PZ-16-54



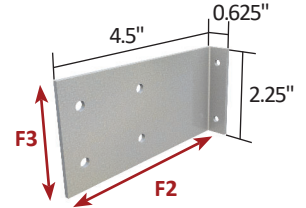
PZ-18-97



PUC225-54

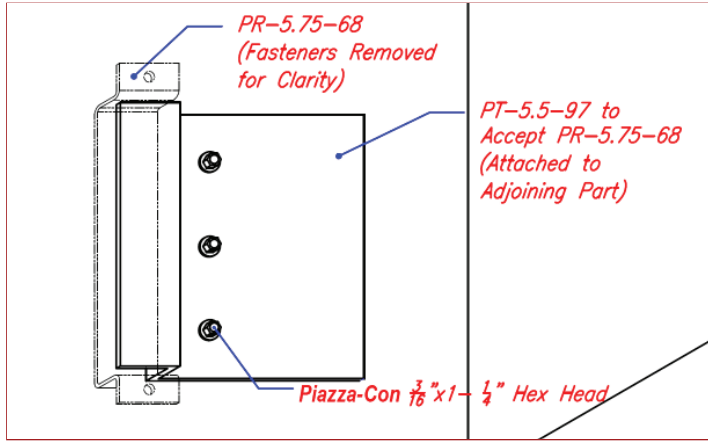


PUC450-54

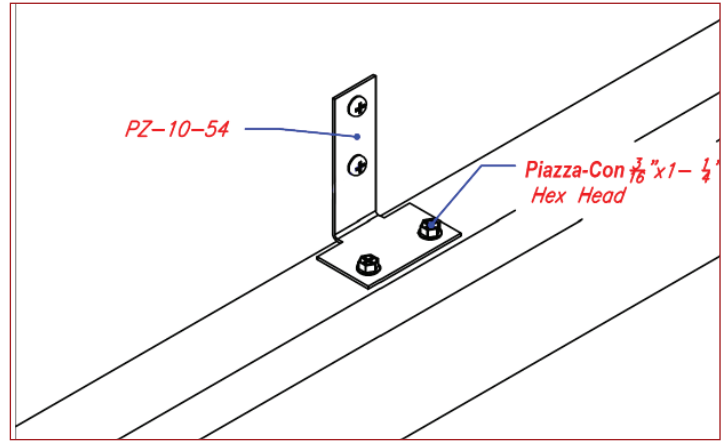


Manufactured exclusively by The Steel Network, Inc. (TSN). www.steelnetwork.com

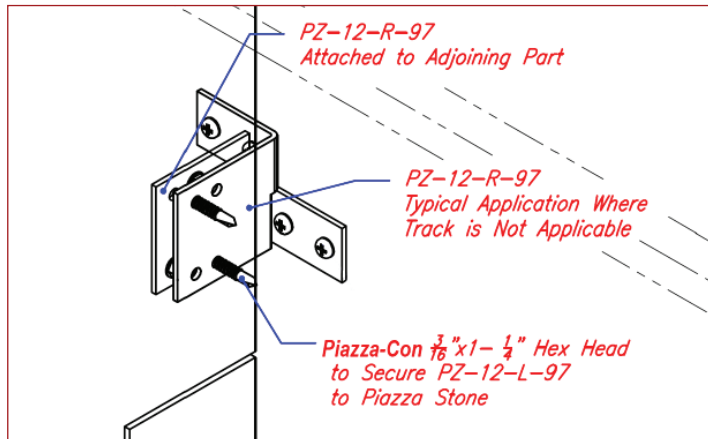
Example Details



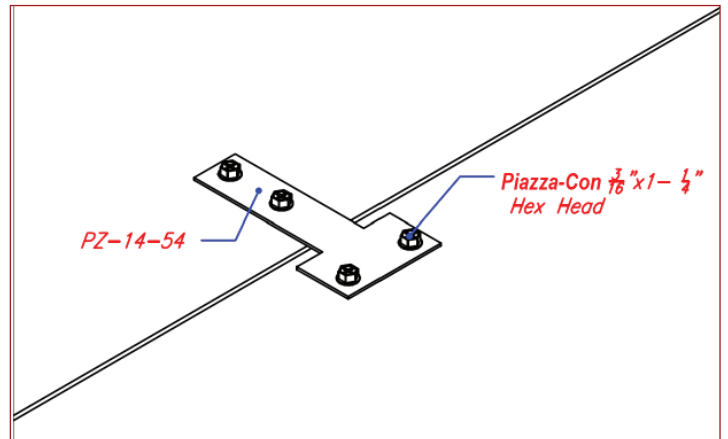
PR-5.75-68 used with PT-5.5-97 or PR-2.0-68 with PT-1.875-68



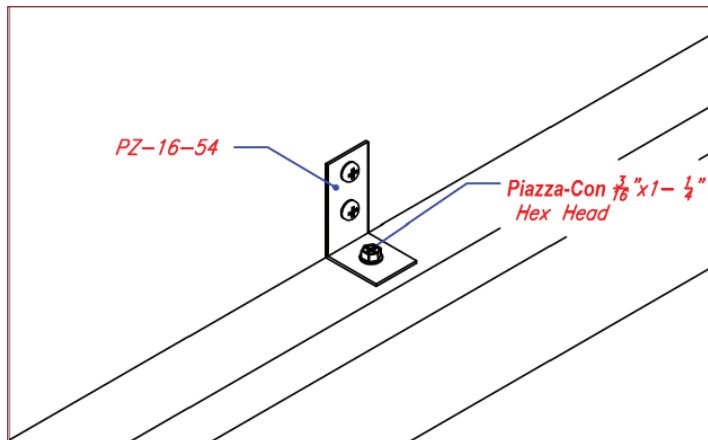
PZ-10-54



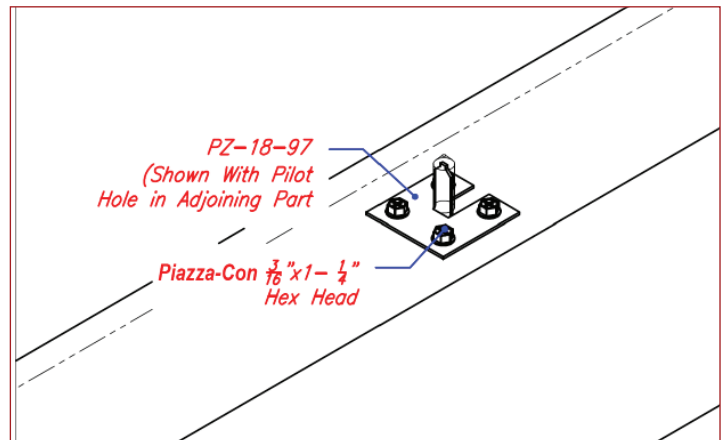
PZ-12-R-97 or PZ-12-L-97



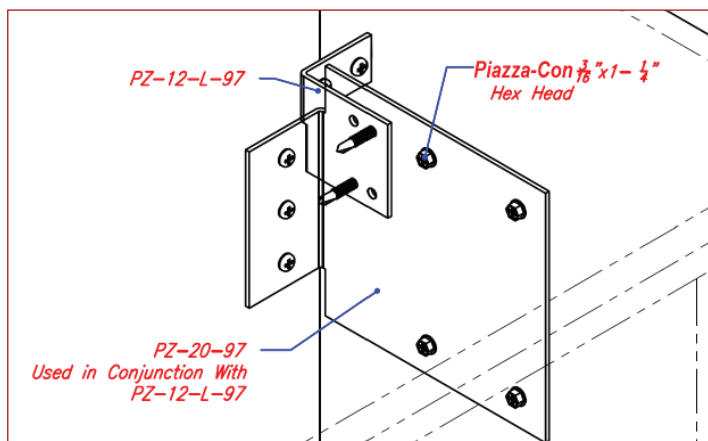
PZ-14-54



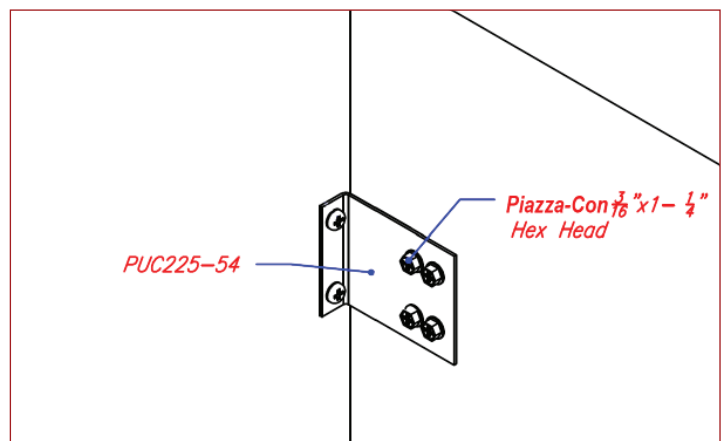
PZ-16-54



PZ-18-97



PZ-12-L-97 with PZ-20-97



PUC225-54 or PUC450-54