

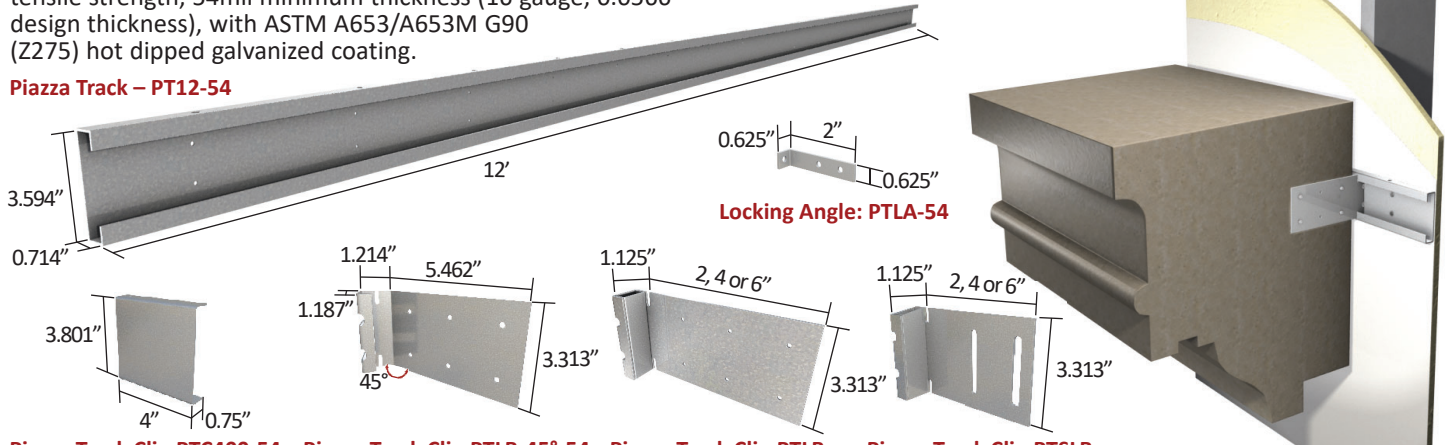
# Piazza Track System



## Material Composition

**Clip & Track Material:** ASTM A1003/A1003M Structural Grade 50 (340) Type H, ST50H (ST340H): 50ksi (340MPa) minimum yield strength, 65ksi (450MPa) minimum tensile strength, 54mil minimum thickness (16 gauge, 0.0566" design thickness), with ASTM A653/A653M G90 (Z275) hot dipped galvanized coating.

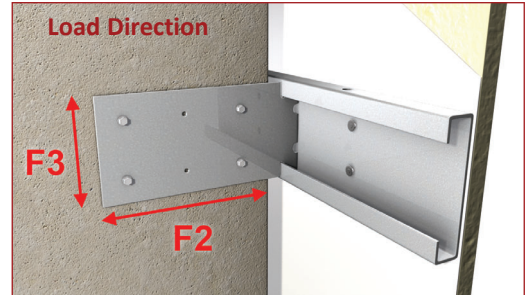
## Piazza Track – PT12-54



Piazza Track Clip PTC400-54    Piazza Track Clip PTLB-45°-54    Piazza Track Clip PTLB    Piazza Track Clip PTSLB

## Maximum ASD allowable Load Data Steel Clip & Track

Piazza Track & Piazza Track Clip PTLB, Recommended Allowable Load (lbs): F2 & F3		
Clip	F2 Allowable Loads	F3 Allowable Loads
PTLB200	299	292
PTLB400	299	286
PTLB600	299	292
PTLB-45°-54	299	292
PTSLB200-54	299	-
PTSLB400-54	299	-
PTSLB600-54	299	-



## Test Report R-5.10\_10-28-20\_PS:

Max. shear load per one fastener 74 lbs (Light Weight Stone)  
 Max. tensile load per one fastener 111 lbs (Light Weight Stone)

Fastener pattern and eccentric loading evaluation is the responsibility of the design professional.

## Fastener Attachment to Supporting Structure:

Attachment of steel track to structure is the responsibility of the design professional. Load rating would vary based on base material, project location, exposure, tributary area of the panels in the particular application.

## Nomenclature

Piazza Track comes in 12' lengths, and is designated *Piazza Track - PT12-54*.

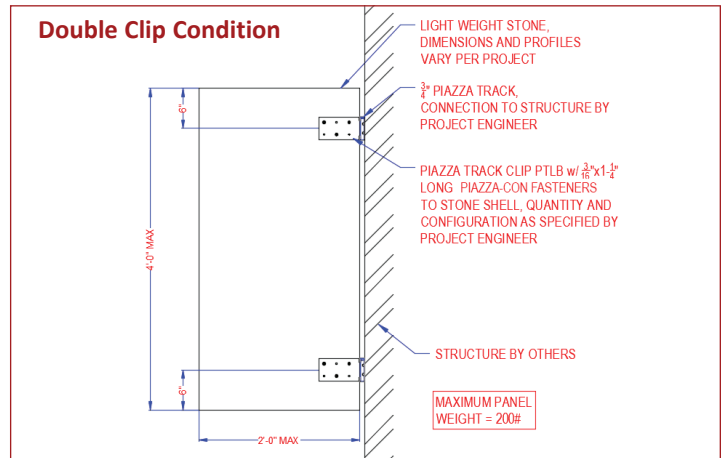
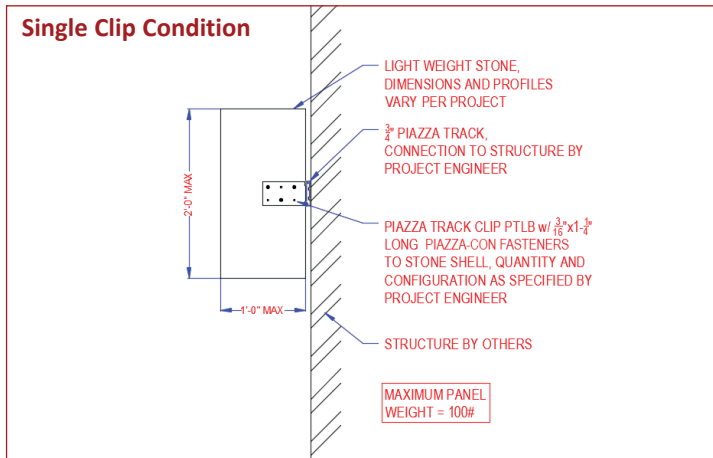
Piazza Track Clip PTLB and PTSLB are classified by multiplying clip length in inches by 100.

*Example: 6" clip length*

*Designate: Piazza Track Clip PTLB600*



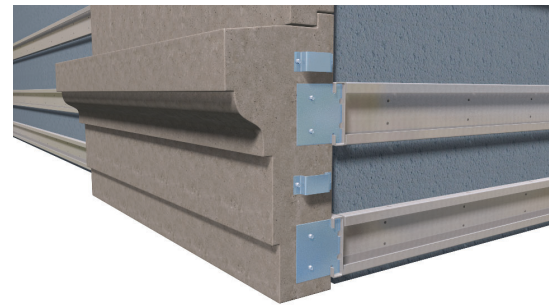
## Example Details



Piazza connectors can be used with the Piazza Track system or individually to secure lightweight stone to the exterior of structures.

**Material Composition**

ASTM A1003/A1003M Structural Grade 50 (340) Type H, ST50H (ST340H): 50ksi (340MPa) minimum yield strength, 65ksi (450MPa) minimum tensile strength, 54mil minimum thickness (16 gauge, 0.0566" design thickness), 68mil minimum thickness (14 gauge, 0.0713" design thickness), or 97mil minimum thickness (12 gauge, 0.1017" design thickness), with ASTM A653/A653M G90 (Z275) hot dipped galvanized coating.

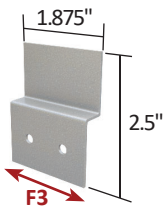


Piazza Connectors, Recommended Allowable Load (lbs): F2 & F3		
Clip	F2 Allowable Loads	F3 Allowable Loads
PT-1.875-68 & PR-2.0-68 System	N/A	116
PT-5.5-97 & PR-5.75-68 System	N/A	123
PTMC200-54	392	266
PUC225-54	392	105
PUC450-54	392	74

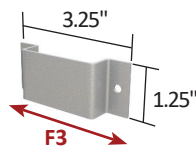
**Notes:**

- Allowable design loads have been developed for the clips based on AISI S100 Specification.
- Load data are for the steel clips only. Fastener pattern and eccentric loading evaluation on the fasteners is the responsibility of the design professional.
- Attachment of the clips to stone base material is the responsibility of the design professional.

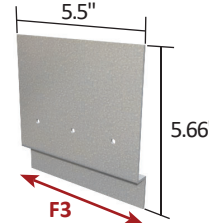
**PT-1.875-68**



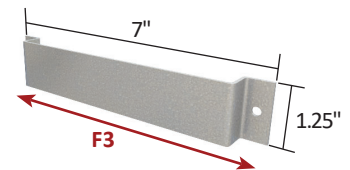
**PR-2.0-68**



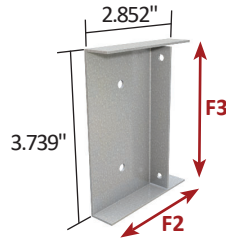
**PT-5.5-97**



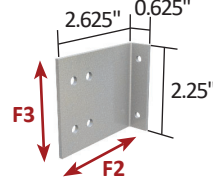
**PR-5.75-68**



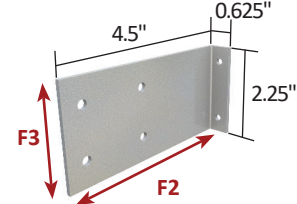
**PTMC200-54**



**PUC225-54**

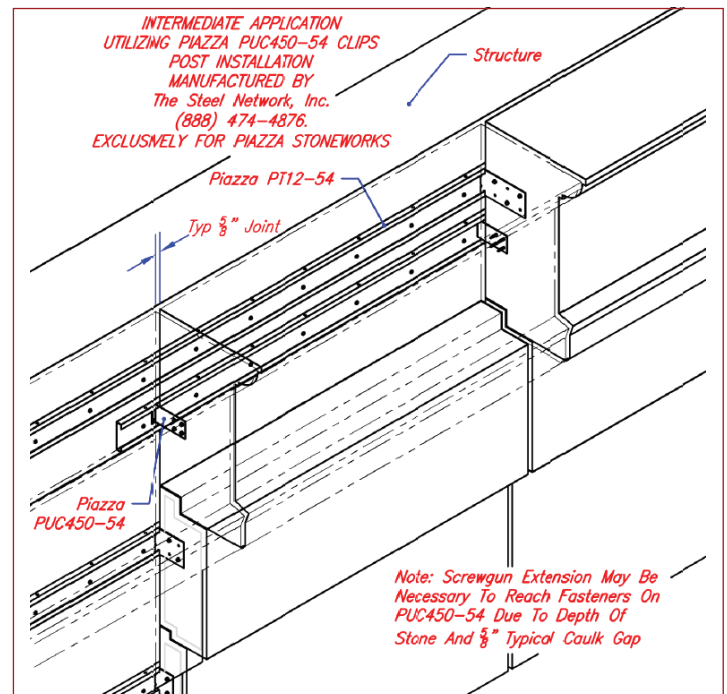
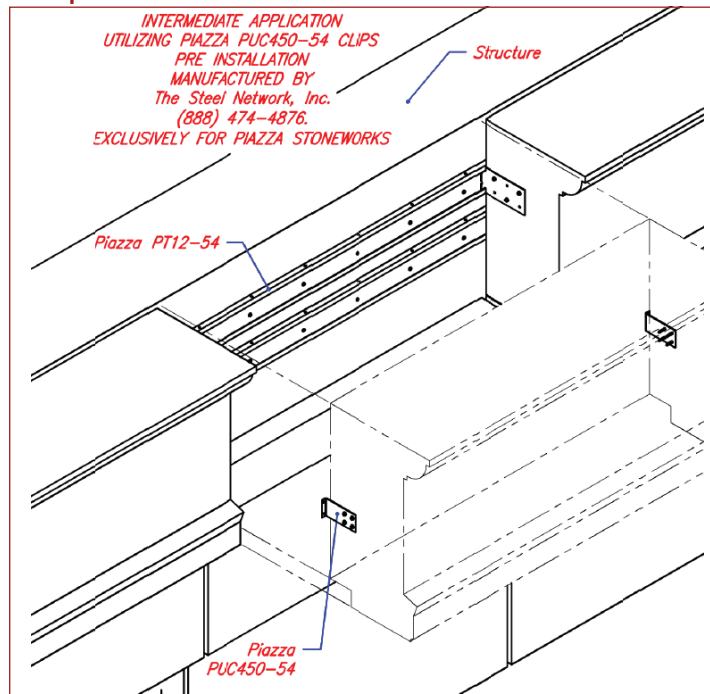


**PUC450-54**



Manufactured exclusively by The Steel Network, Inc. (TSN). www.steelnetwork.com

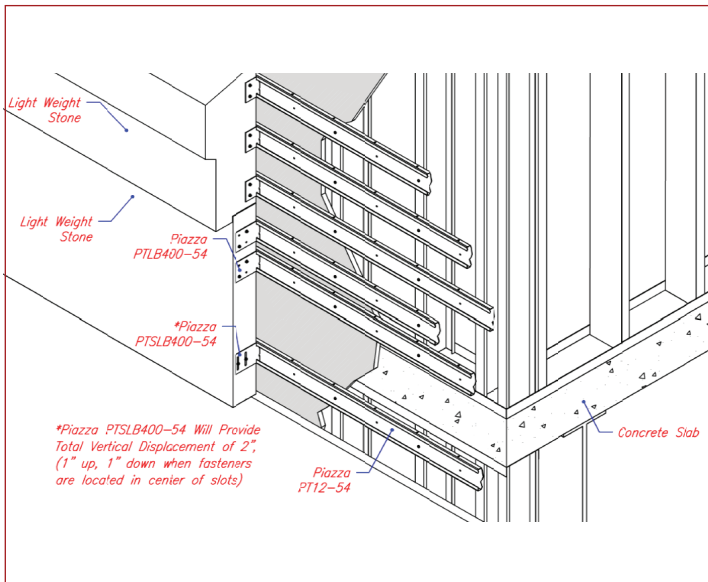
**Example Details**



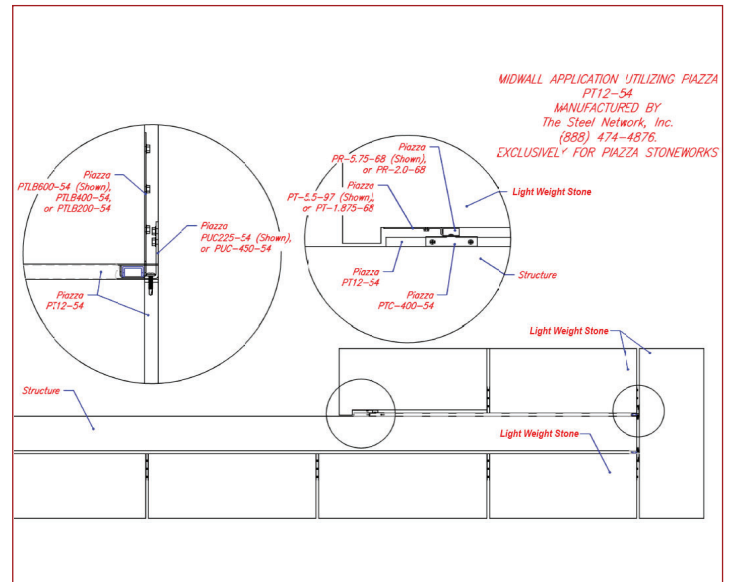
Piazza PUC450-54 or PUC225-54 - Pre-Installation

Piazza PUC450-54 or PUC225-54 - Post-Installation

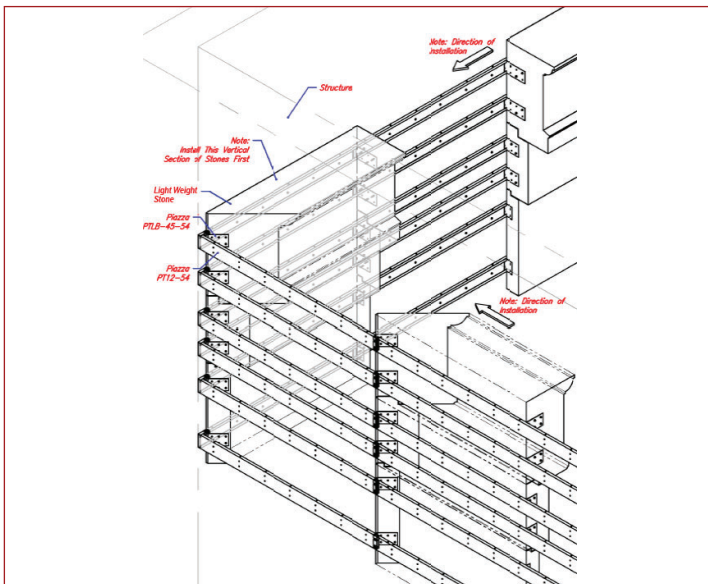
Example Details



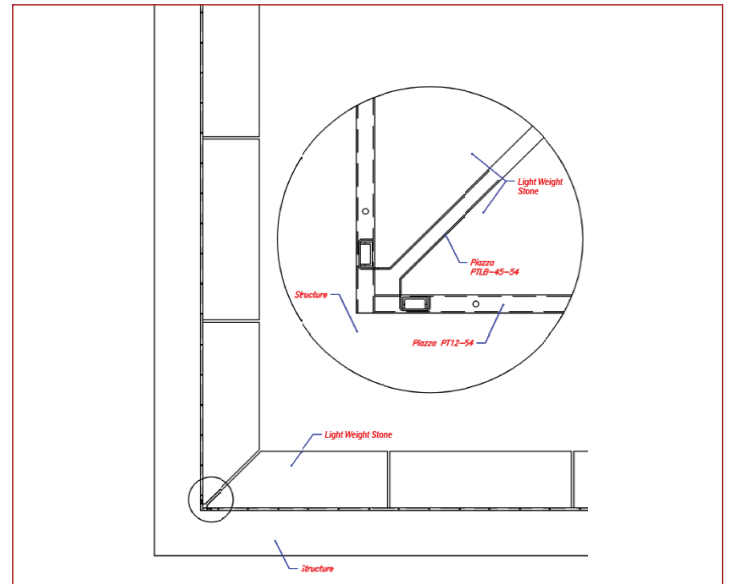
PTSLB200-54, PTSLB400-54 or PTSLB600-54



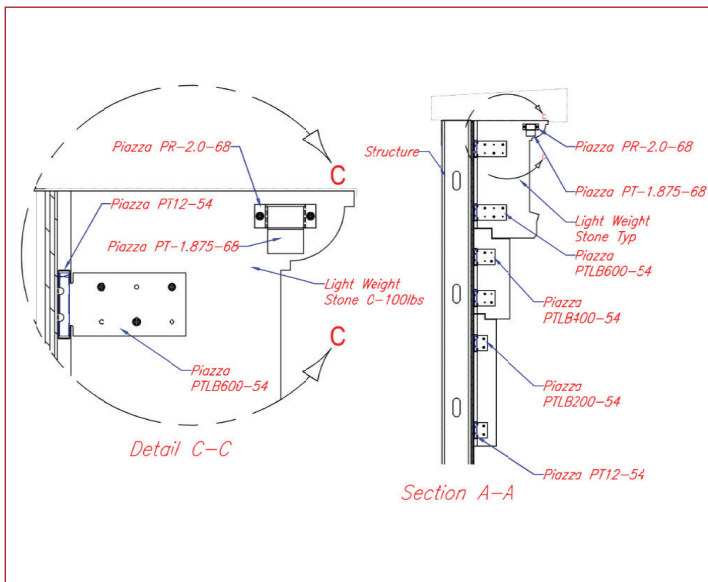
PTC400-54



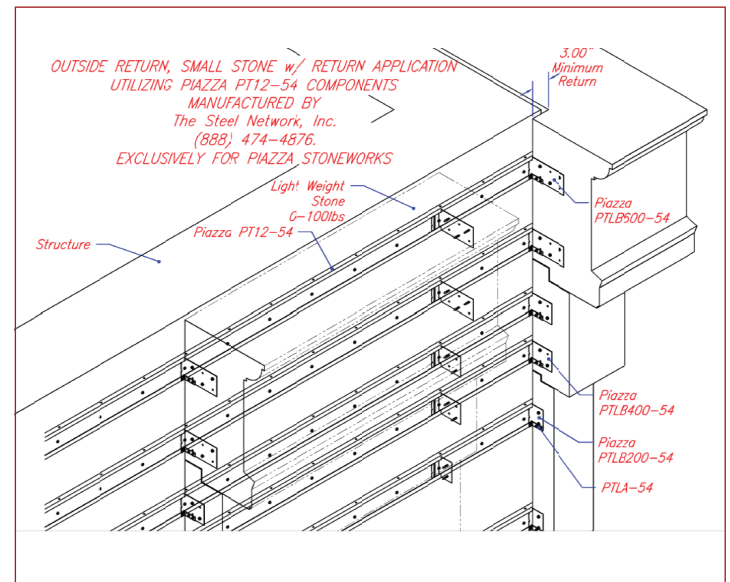
PTLB-45°-54



PTLB-45°-54



PT & PR System



PTLB600-54, PTLB400-54 or PTLB200-54