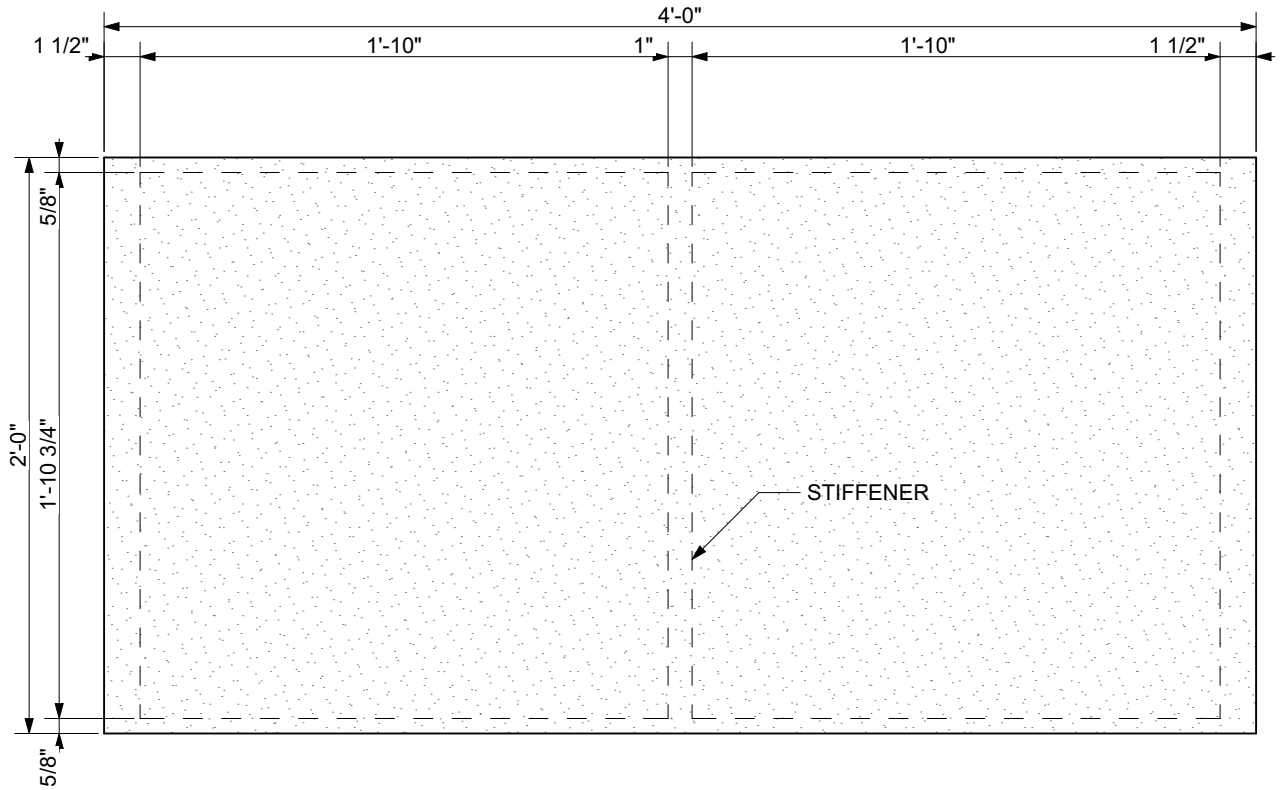


TYPICAL PANEL SYSTEM BY



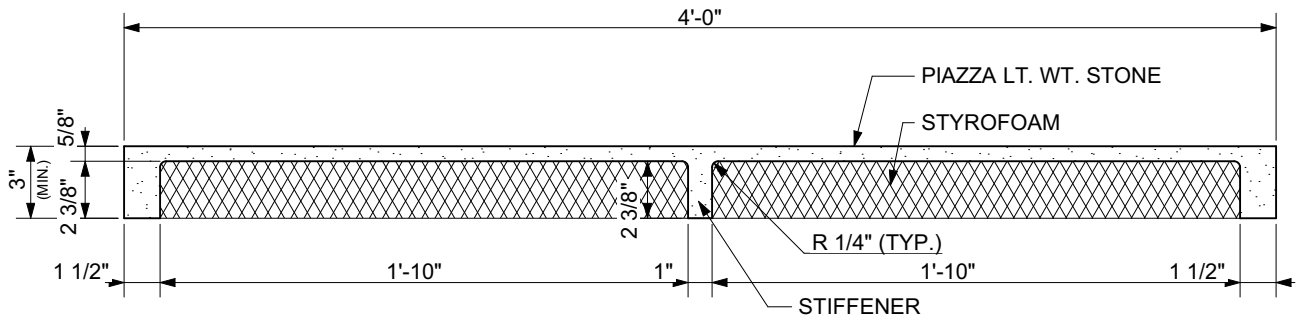
3817 Martinez Blvd. Ste. A
Augusta, GA 30907
706-651-1210

AUGUST 9, 2021



PANEL ELEVATION

SCALE: 1 1/2" = 1'-0"



HORIZONTAL PANEL SECTION

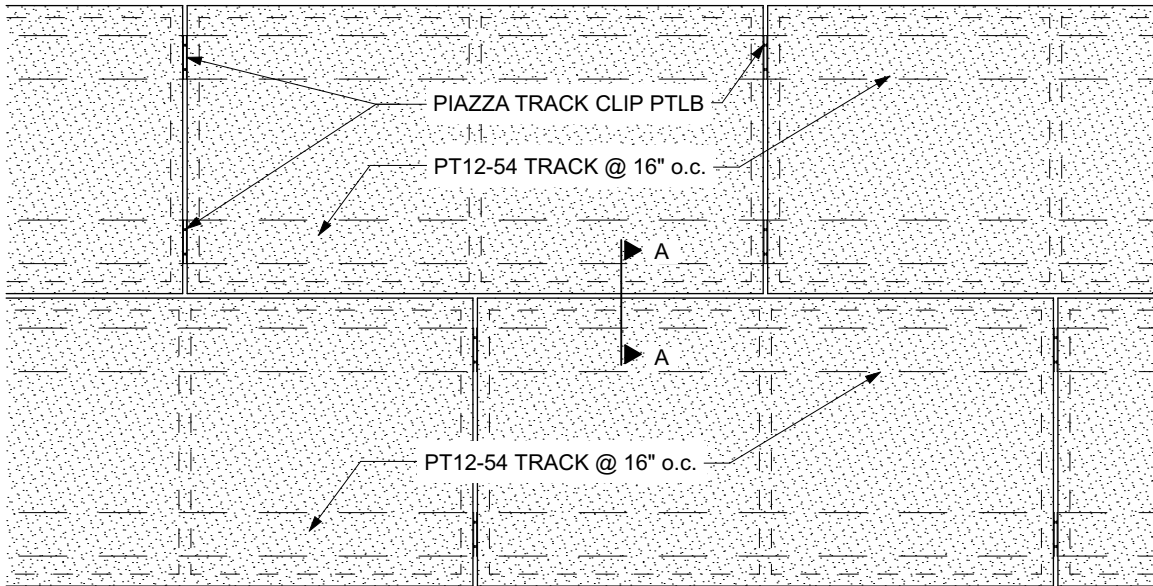
SCALE: 1 1/2" = 1'-0"

NOTE: STIFFENERS NEED TO BE INSTALLED HALFWAY OF THE LONGEST DISTANCE OF THE PANEL AS SHOWN. **CONSULT WITH PIAZZA STONE FOR ANY PANELS LARGER THAN 24"x48" OR 1152 SQ. IN.**

DATE 8-9-2021		PROJECT
BY JIW	<u>TYP. PANEL DETAILS</u>	
SHT. No. A.1		

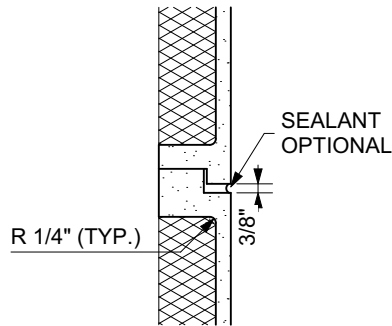


3817 Martinez Blvd. Ste. A
Augusta, GA 30907
706-651-1210



TYPICAL WALL PANEL FACE

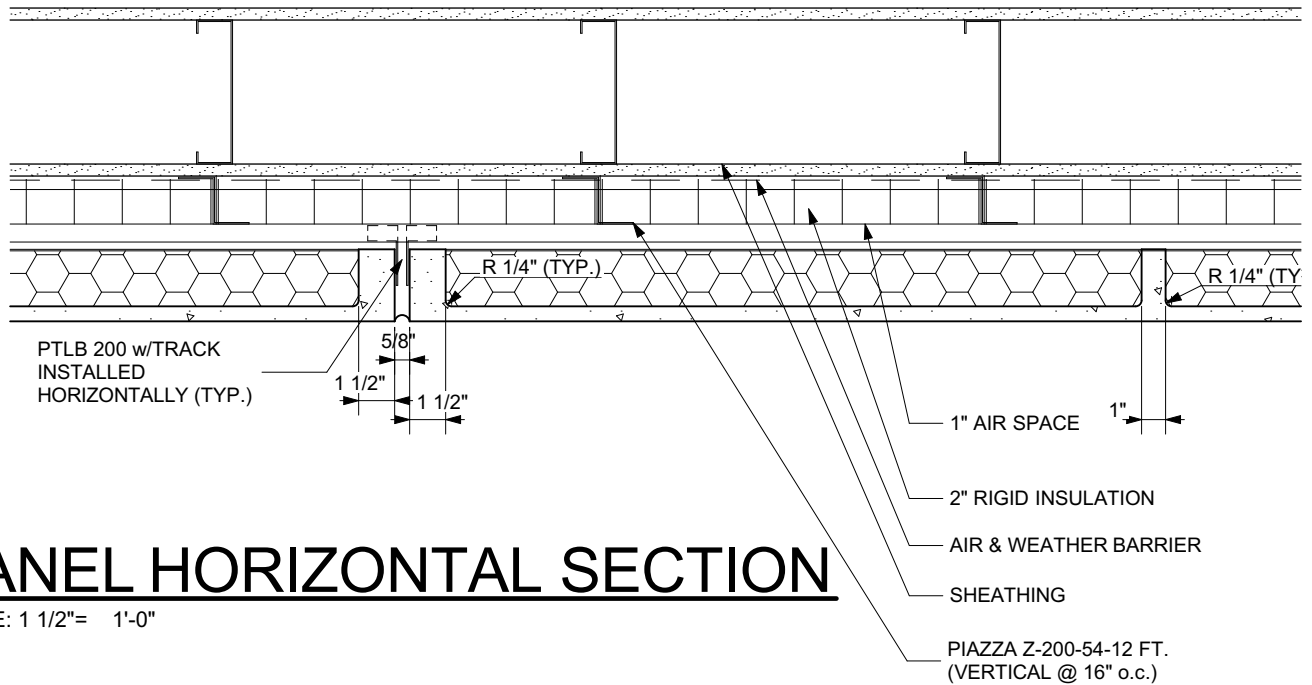
SCALE: 3/4" = 1'-0"



DETAIL "A-A"

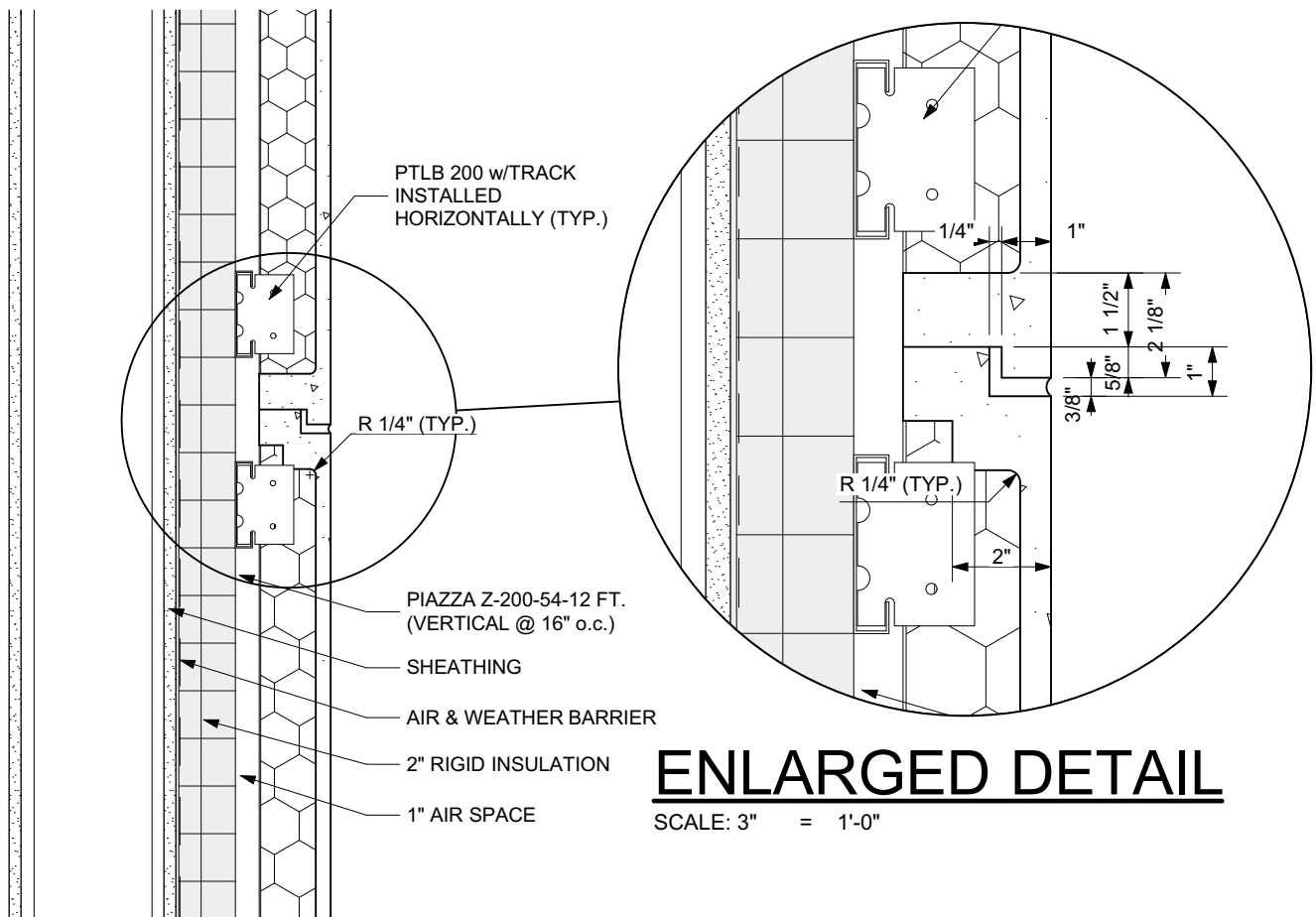
SCALE: 1 1/2" = 1'-0"

DATE 8-9-2021	PROJECT			3817 Martinez Blvd. Ste. A Augusta, GA 30907 706-651-1210	
BY JIW	<u>TYP. PANEL DETAILS</u>				
SHT. No.					A.2



PANEL HORIZONTAL SECTION

SCALE: 1 1/2" = 1'-0"



ENLARGED DETAIL

SCALE: 3" = 1'-0"

PANEL VERTICAL SECTION

SCALE: 1 1/2" = 1'-0"

DATE 8-9-2021	PROJECT			3817 Martinez Blvd. Ste. A Augusta, GA 30907 706-651-1210	
BY JIW	<u>TYP. PANEL DETAILS</u>				
SHT. No.					A.3